



Message Implementation Guideline

DSV INVOIC D10B outbound

based on

INVOIC

Invoice message

UN D.10B S4

Version: v1.7

Issue date: 2023-11-16

Author: DSV A/S, EDI



Structure / Table of Contents

Counter	No	Tag	St	MaxOcc	Level	Content
0000	1	UNA	C	1	0	Service string advice
0000	2	UNB	M	1	0	Interchange header
0010	3	UNH	M	1	0	Message header
0020	4	BGM	M	1	0	Beginning of message
0030	5	DTM	M	35	1	Date/time/period
0030	6	DTM	M	35	1	Date/time/period
0070	7	FTX	C	99	1	Free text
0070	8	FTX	C	99	1	Free text
0080	9	LOC	C	10	1	Place/location identification
0120		SG1	C	99999	1	RFF
0130	10	RFF	M	1	1	Reference
0120		SG1	C	99999	1	RFF
0130	11	RFF	M	1	1	Reference
0120		SG1	C	99999	1	RFF
0130	12	RFF	M	1	1	Reference
0220		SG2	C	99	1	NAD-FII-SG3-SG4-SG5
0230	13	NAD	M	1	1	Name and address
0250	14	FII	C	5	2	Financial institution information
0270		SG3	C	9999	2	RFF
0280	15	RFF	M	1	2	Reference
0300		SG4	C	5	2	DOC
0310	16	DOC	M	1	2	Document/message details
0330		SG5	C	5	2	CTA-COM-COM
0340	17	CTA	M	1	2	Contact information
0350	18	COM	C	5	3	Communication contact
0350	19	COM	C	5	3	Communication contact
0220		SG2	C	99	1	NAD-SG3-SG5
0230	20	NAD	M	1	1	Name and address
0270		SG3	C	9999	2	RFF
0280	21	RFF	M	1	2	Reference
0330		SG5	C	5	2	CTA-COM-COM
0340	22	CTA	M	1	2	Contact information
0350	23	COM	C	5	3	Communication contact
0350	24	COM	C	5	3	Communication contact
0400		SG7	C	99	1	CUX-DTM
0410	25	CUX	M	1	1	Currencies
0420	26	DTM	C	5	2	Date/time/period
0430		SG8	C	10	1	PYT-DTM

Counter = Counter of segment/group within the standard
 No = Consecutive segment number
 MaxOcc = Maximum occurrence of the segment/group

St = Status
 EDIFACT: M=Mandatory, C=Conditional
 User specific: R=Required, O=Optional, D=Dependent,
 A=Advised, N=Not used



Counter	No	Tag	St	MaxOcc	Level	Content
0440	27	PYT	M	1	1	Payment terms
0450	28	DTM	C	5	2	Date/time/period
0500		SG9	C	10	1	TDT-TSR-SG10-SG10-SG10-SG10-SG11
0510	29	TDT	M	1	1	Transport information
0520	30	TSR	C	1	2	Transport service requirements
0530		SG10	C	10	2	LOC-DTM
0540	31	LOC	M	1	2	Place/location identification
0550	32	DTM	C	5	3	Date/time/period
0530		SG10	C	10	2	LOC-DTM
0540	33	LOC	M	1	2	Place/location identification
0550	34	DTM	C	5	3	Date/time/period
0530		SG10	C	10	2	LOC-DTM
0540	35	LOC	M	1	2	Place/location identification
0550	36	DTM	C	5	3	Date/time/period
0530		SG10	C	10	2	LOC-DTM
0540	37	LOC	M	1	2	Place/location identification
0550	38	DTM	C	5	3	Date/time/period
0560		SG11	C	9999	2	RFF
0570	39	RFF	M	1	2	Reference
0590		SG12	C	5	1	TOD-LOC
0600	40	TOD	M	1	1	Terms of delivery or transport
0610	41	LOC	C	2	2	Place/location identification
0620		SG13	C	99	1	EQD-SEL
0630	42	EQD	M	1	1	Equipment details
0640	43	SEL	C	9	2	Seal number
1160		SG27	C	9999999	1	LIN-IMD-MEA-MEA-MEA-MEA-DTM-EQD-FTX-FTX-SG28-SG31-SG31-SG32-SG34-SG34-SG34-SG34-SG35-SG36-SG40-SG46-SG48
1170	44	LIN	M	1	1	Line item
1200	45	IMD	C	99	2	Item description
1210	46	MEA	C	5	2	Measurements
1210	47	MEA	C	5	2	Measurements
1210	48	MEA	C	5	2	Measurements
1210	49	MEA	C	5	2	Measurements
1250	50	DTM	C	35	2	Date/time/period
1290	51	EQD	C	1	2	Equipment details
1300	52	FTX	C	99	2	Free text
1300	53	FTX	C	99	2	Free text
1320		SG28	C	99	2	MOA
1330	54	MOA	M	1	2	Monetary amount
1460		SG31	C	10	2	RFF

Counter = Counter of segment/group within the standard
 No = Consecutive segment number
 MaxOcc = Maximum occurrence of the segment/group

St = Status
 EDIFACT: M=Mandatory, C=Conditional
 User specific: R=Required, O=Optional, D=Dependent,
 A=Advised, N=Not used



Counter	No	Tag	St	MaxOcc	Level	Content
1470	55	RFF	M	1	2	Reference
1460		SG31	C	10	2	RFF
1470	56	RFF	M	1	2	Reference
1490		SG32	C	10	2	PAC-SG33
1500	57	PAC	M	1	2	Package
1530		SG33	C	10	3	PCI
1540	58	PCI	M	1	3	Package identification
1580		SG34	C	9999	2	LOC
1590	59	LOC	M	1	2	Place/location identification
1580		SG34	C	9999	2	LOC
1590	60	LOC	M	1	2	Place/location identification
1580		SG34	C	9999	2	LOC
1590	61	LOC	M	1	2	Place/location identification
1580		SG34	C	9999	2	LOC
1590	62	LOC	M	1	2	Place/location identification
1620		SG35	C	99	2	TAX-MOA
1630	63	TAX	M	1	2	Duty/tax/fee details
1640	64	MOA	C	2	3	Monetary amount
1660		SG36	C	99	2	NAD
1670	65	NAD	M	1	2	Name and address
1790		SG40	C	30	2	ALC-SG43-SG43-SG44-SG45
1800	66	ALC	M	1	2	Allowance or charge
1900		SG43	C	2	3	MOA-CUX
1910	67	MOA	M	1	3	Monetary amount
1930	68	CUX	C	1	4	Currencies
1900		SG43	C	2	3	MOA
1910	69	MOA	M	1	3	Monetary amount
1950		SG44	C	1	3	RTE
1960	70	RTE	M	1	3	Rate details
1980		SG45	C	5	3	TAX-MOA-MOA
1990	71	TAX	M	1	3	Duty/tax/fee details
2000	72	MOA	C	2	4	Monetary amount
2000	73	MOA	C	2	4	Monetary amount
2010		SG46	C	10	2	TDT-SG47-SG47-SG47-SG47
2020	74	TDT	M	1	2	Transport information
2030		SG47	C	10	3	LOC
2040	75	LOC	M	1	3	Place/location identification
2030		SG47	C	10	3	LOC
2040	76	LOC	M	1	3	Place/location identification

Counter = Counter of segment/group within the standard
 No = Consecutive segment number
 MaxOcc = Maximum occurrence of the segment/group

St = Status
 EDIFACT: M=Mandatory, C=Conditional
 User specific: R=Required, O=Optional, D=Dependent,
 A=Advised, N=Not used



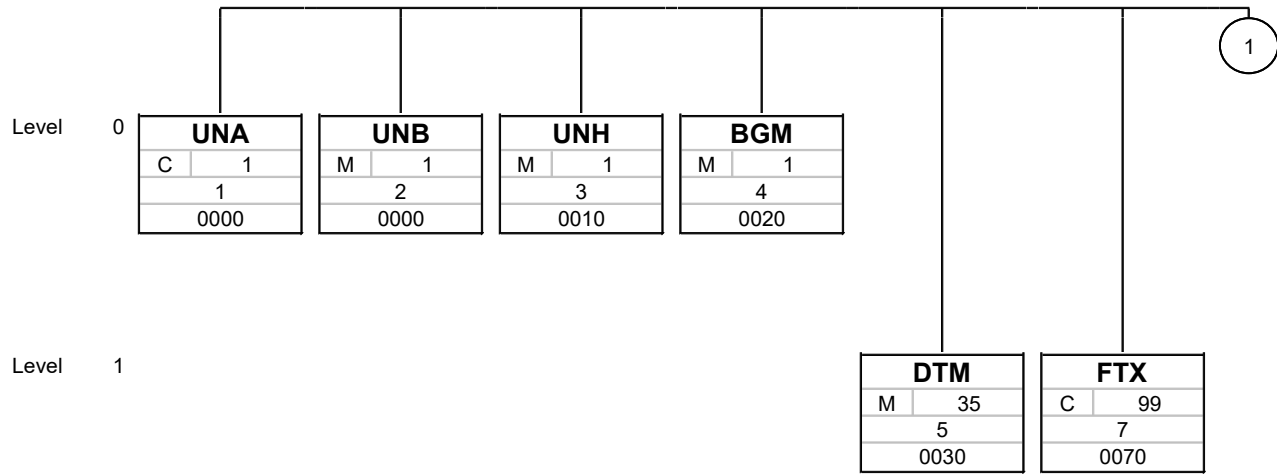
Counter	No	Tag	St	MaxOcc	Level	Content
	2030	SG47	C	10	3	LOC
	2040	77 LOC	M	1	3	Place/location identification
	2030	SG47	C	10	3	LOC
	2040	78 LOC	M	1	3	Place/location identification
	2060	SG48	C	5	2	TOD-LOC
	2070	79 TOD	M	1	2	Terms of delivery or transport
	2080	80 LOC	C	2	3	Place/location identification
	2320	81 UNS	M	1	0	Section control
	2340	SG52	M	100	1	MOA
	2350	82 MOA	M	1	1	Monetary amount
	2340	SG52	M	100	1	MOA
	2350	83 MOA	M	1	1	Monetary amount
	2340	SG52	M	100	1	MOA
	2350	84 MOA	M	1	1	Monetary amount
	2340	SG52	M	100	1	MOA
	2350	85 MOA	M	1	1	Monetary amount
	2340	SG52	M	100	1	MOA
	2350	86 MOA	M	1	1	Monetary amount
	2340	SG52	M	100	1	MOA
	2350	87 MOA	M	1	1	Monetary amount
	2390	SG54	C	10	1	TAX-MOA-MOA
	2400	88 TAX	M	1	1	Duty/tax/fee details
	2410	89 MOA	C	9	2	Monetary amount
	2410	90 MOA	C	9	2	Monetary amount
	2390	SG54	C	10	1	TAX-MOA-MOA
	2400	91 TAX	M	1	1	Duty/tax/fee details
	2410	92 MOA	C	9	2	Monetary amount
	2410	93 MOA	C	9	2	Monetary amount
	2470	94 UNT	M	1	0	Message trailer

Counter = Counter of segment/group within the standard
 No = Consecutive segment number
 MaxOcc = Maximum occurrence of the segment/group

St = Status
 EDIFACT: M=Mandatory, C=Conditional
 User specific: R=Required, O=Optional, D=Dependent,
 A=Advised, N=Not used

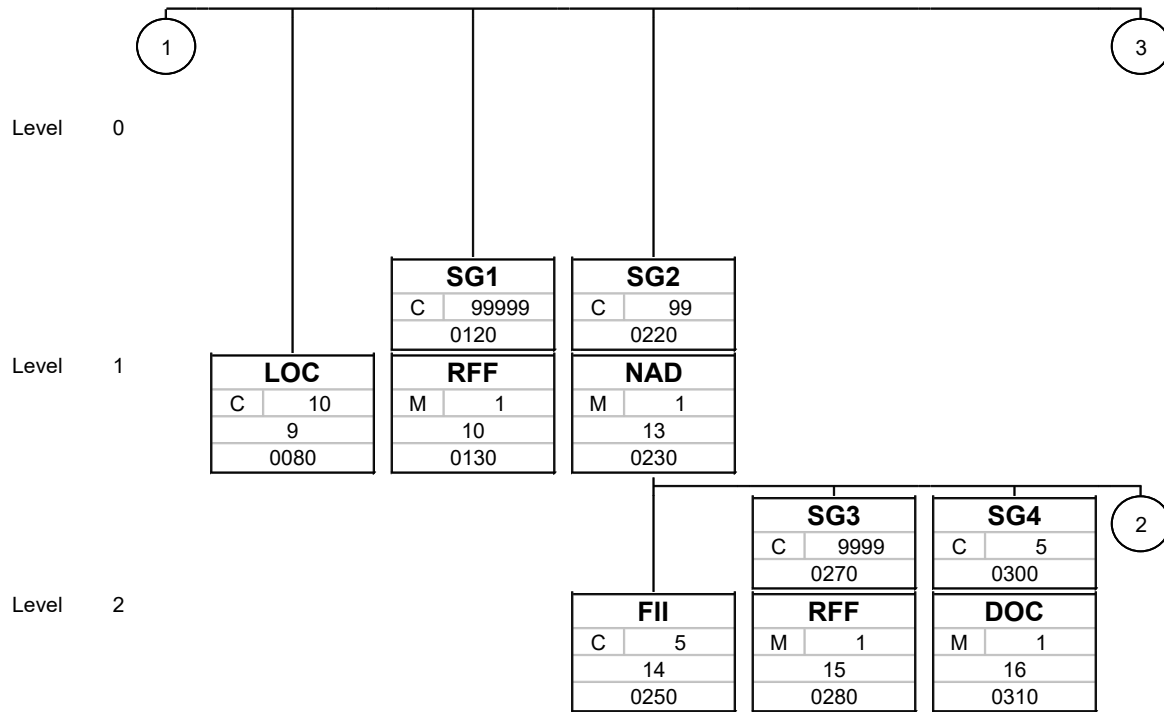


Branching Diagram of Used Segments/Groups



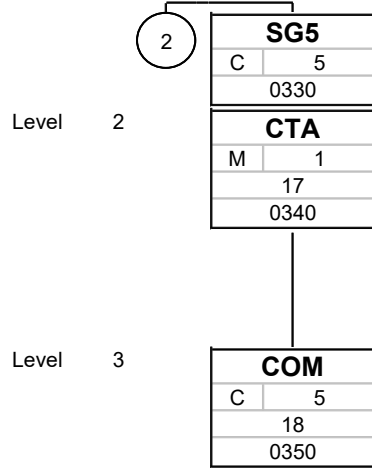
Tag
St MaxOcc
No
Counter

Tag = Segment/Group Tag
 St = Status (M=Mandatory, C=Conditional, R=Required, O=Optional, A=Advised, D=Dependent)
 MaxOcc = Maximum occurrence of the segment/group
 No = Consecutive segment number
 Counter = Counter of segment/group within the standard



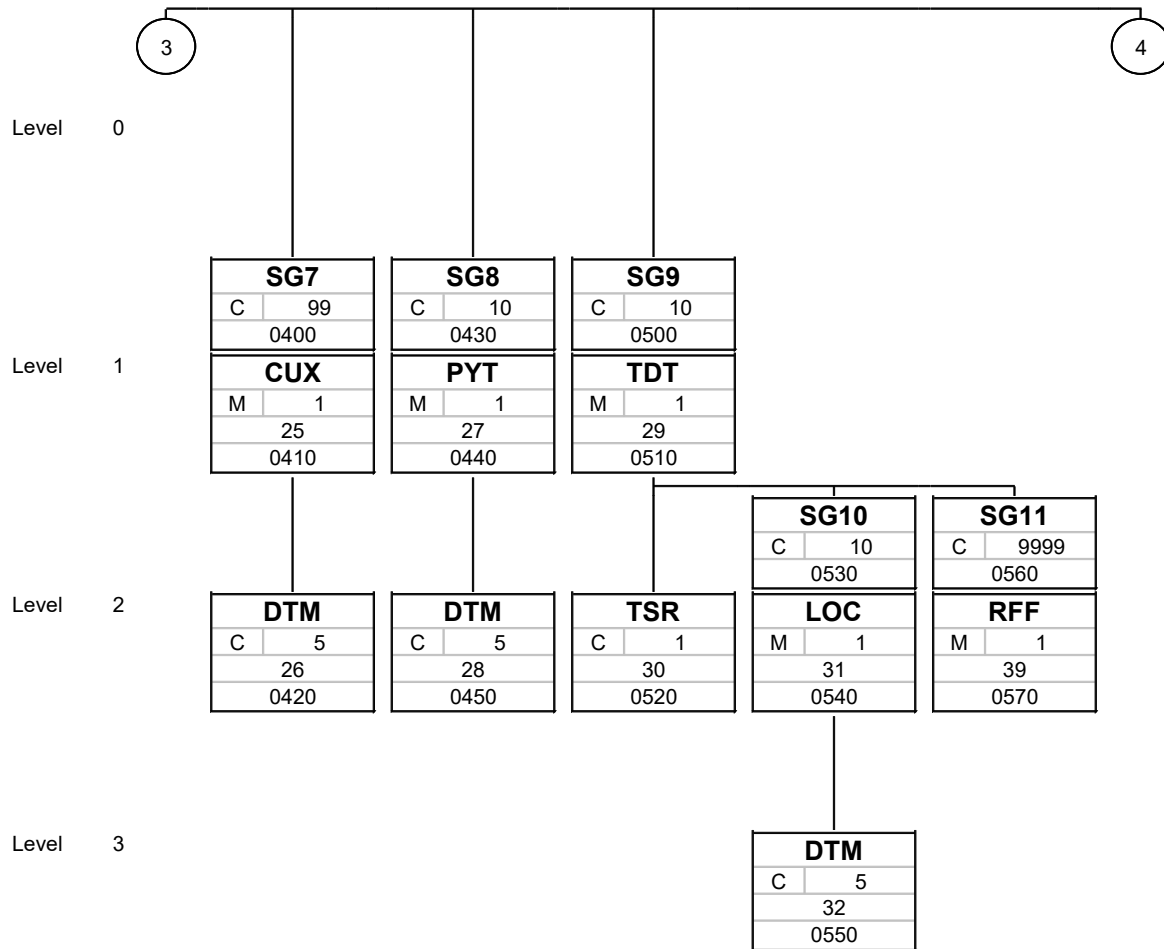
Tag
St MaxOcc
No
Counter

Tag = Segment/Group Tag
 St = Status (M=Mandatory, C=Conditional, R=Required, O=Optional, A=Advised, D=Dependent)
 MaxOcc = Maximum occurrence of the segment/group
 No = Consecutive segment number
 Counter = Counter of segment/group within the standard



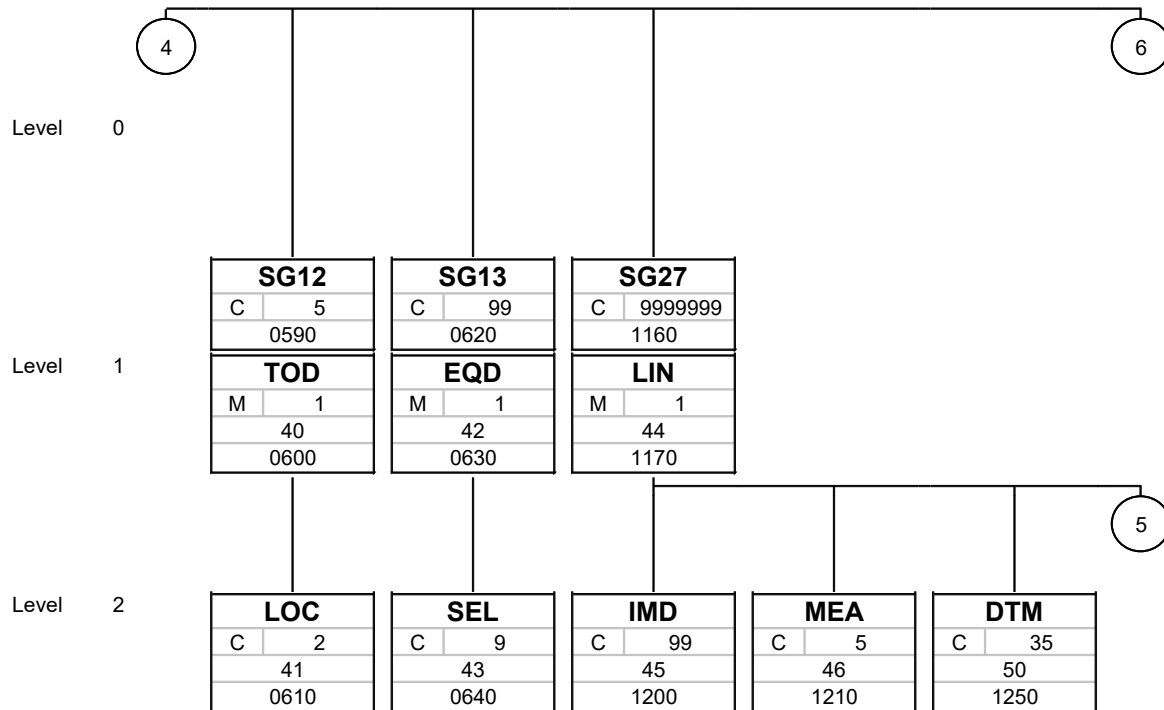
Tag
St MaxOcc
No
Counter

Tag = Segment/Group Tag
 St = Status (M=Mandatory, C=Conditional, R=Required, O=Optional, A=Advised, D=Dependent)
 MaxOcc = Maximum occurrence of the segment/group
 No = Consecutive segment number
 Counter = Counter of segment/group within the standard



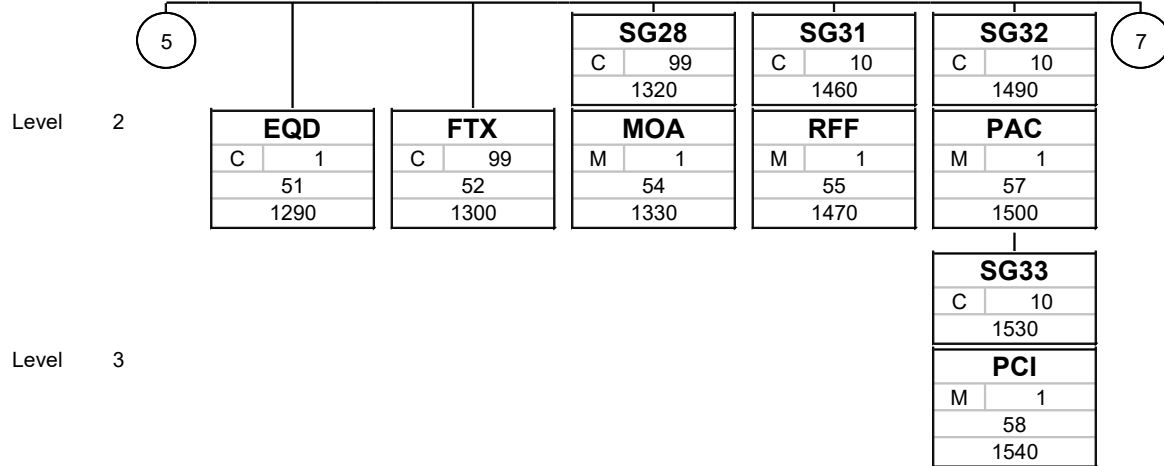
Tag
St MaxOcc
No
Counter

Tag = Segment/Group Tag
 St = Status (M=Mandatory, C=Conditional, R=Required, O=Optional, A=Advised, D=Dependent)
 MaxOcc = Maximum occurrence of the segment/group
 No = Consecutive segment number
 Counter = Counter of segment/group within the standard



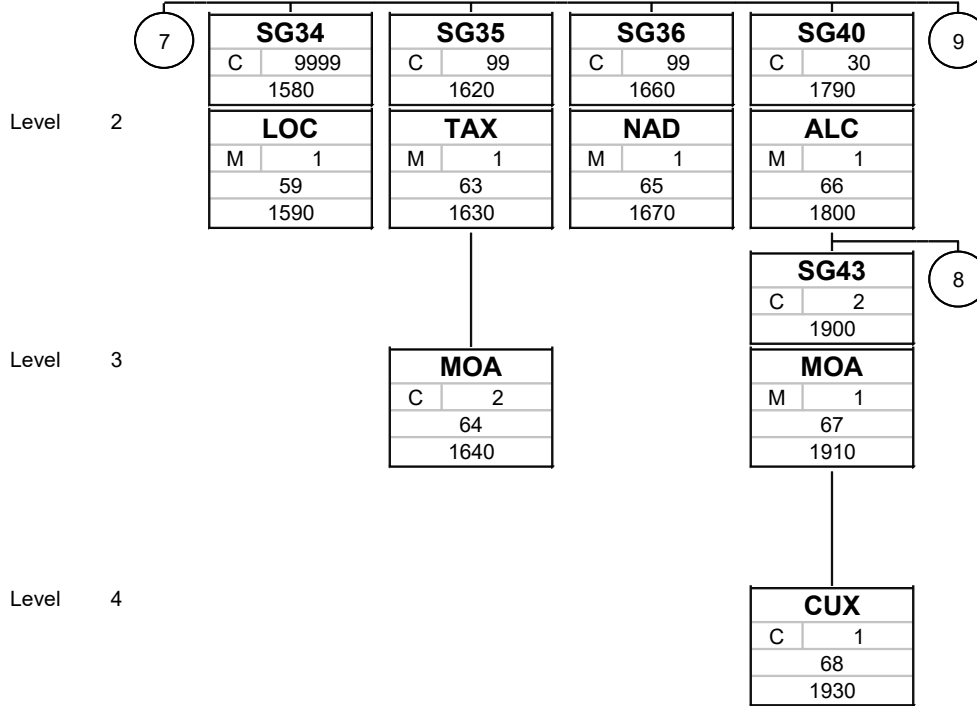
Tag
St MaxOcc
No
Counter

Tag = Segment/Group Tag
 St = Status (M=Mandatory, C=Conditional, R=Required, O=Optional, A=Advised, D=Dependent)
 MaxOcc = Maximum occurrence of the segment/group
 No = Consecutive segment number
 Counter = Counter of segment/group within the standard



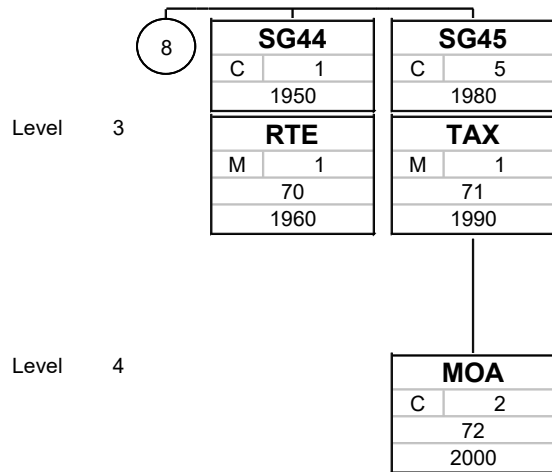
Tag
St MaxOcc
No
Counter

Tag = Segment/Group Tag
 St = Status (M=Mandatory, C=Conditional, R=Required, O=Optional, A=Advised, D=Dependent)
 MaxOcc = Maximum occurrence of the segment/group
 No = Consecutive segment number
 Counter = Counter of segment/group within the standard



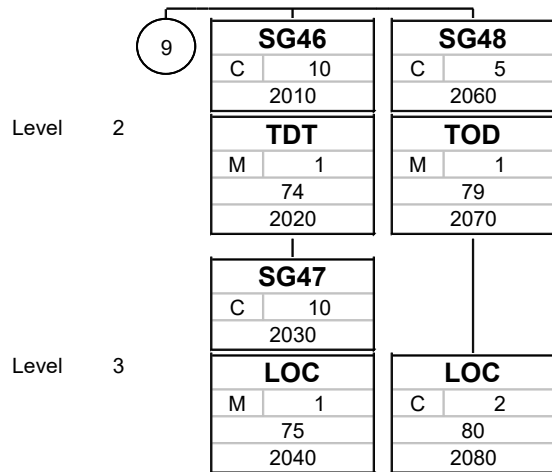
Tag
St MaxOcc
No
Counter

Tag = Segment/Group Tag
 St = Status (M=Mandatory, C=Conditional, R=Required, O=Optional, A=Advised, D=Dependent)
 MaxOcc = Maximum occurrence of the segment/group
 No = Consecutive segment number
 Counter = Counter of segment/group within the standard



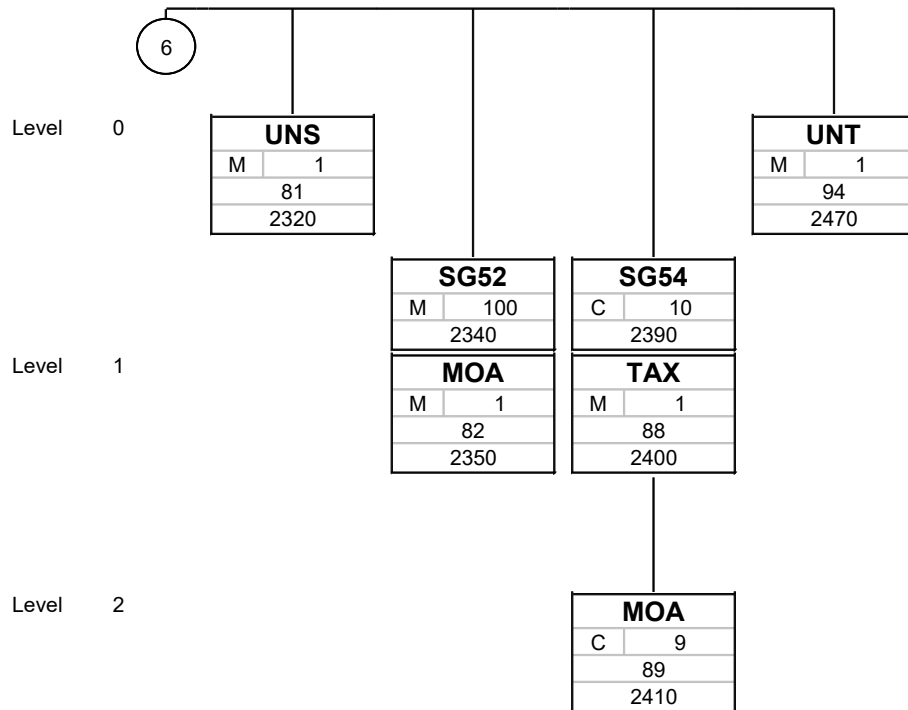
Tag
St MaxOcc
No
Counter

Tag = Segment/Group Tag
 St = Status (M=Mandatory, C=Conditional, R=Required, O=Optional, A=Advised, D=Dependent)
 MaxOcc = Maximum occurrence of the segment/group
 No = Consecutive segment number
 Counter = Counter of segment/group within the standard



Tag
St MaxOcc
No
Counter

Tag = Segment/Group Tag
 St = Status (M=Mandatory, C=Conditional, R=Required, O=Optional, A=Advised, D=Dependent)
 MaxOcc = Maximum occurrence of the segment/group
 No = Consecutive segment number
 Counter = Counter of segment/group within the standard



Tag
St MaxOcc
No
Counter

Tag = Segment/Group Tag
 St = Status (M=Mandatory, C=Conditional, R=Required, O=Optional, A=Advised, D=Dependent)
 MaxOcc = Maximum occurrence of the segment/group
 No = Consecutive segment number
 Counter = Counter of segment/group within the standard



Segments

Counter	No	Tag	St	MaxOcc	Level	Name
---------	----	-----	----	--------	-------	------

0000 1 **UNA** C 1 0 Service string advice

		Standard	Implementation	
Tag	Name	St Format	St Format	Usage / Remark
UNA				
UNA1	Component data element separator	M an1	M an1	General Notes : Component data element separator
UNA2	Data element separator	M an1	M an1	General Notes + Data element separator
UNA3	Decimal mark	M an1	M an1	General Notes . Decimal notation
UNA4	Release character	M an1	M an1	General Notes ? Release indicator
UNA5	Repetition separator	M an1	M an1	General Notes Reserved for future use
UNA6	Segment terminator	M an1	M an1	General Notes ' Segment terminator

Segment Remarks:

General Notes

Changelog:

ver1.1 2020-01-07: SG27 EQD enabled.

ver1.2 2020-01-22: SG1 RFF updated for RFF+OI, PQ.

ver1.3 2020-04-30: SG31 RFF updated. Multiple RFF+CU can be present in each INVOIC.

ver1.4 2021-05-18: 1nd occurrence of SG54 TAX is for Invoice currency. 2nd occurrence of SG54 TAX is for Home/Local currency.

ver1.5 2021-09-28: Enabled SG2 FII/C088.3436 for Bank name

ver1.6 2023-05-09: Enabled UNB.3035 for testindicator.

ver1.7 2023-11-16: Enabled FTX+AAA in SG27.

Example:

UNA: + . ? ' |

No = Consecutive segment number
 MaxOcc = Maximum occurrence of the segment/group
 Counter = Counter of segment/group within the standard

St = Status
 EDIFACT: M=Mandatory, C=Conditional
 User specific: R=Required, O=Optional, D=Dependent,
 A=Advised, N=Not used



Counter	No	Tag	St	MaxOcc	Level	Name
---------	----	-----	----	--------	-------	------

0000 2 **UNB** M 1 0 Interchange header

		Standard	Implementation	
Tag	Name	St Format	St Format	Usage / Remark
UNB				
S001	Syntax identifier	M	M	
0001	Syntax identifier	M a4	M a4	List of valid codes UNOC UN/ECE level C
0002	Syntax version number	M an1	M an1	List of valid codes 4 Version 4
0080	Service code list directory version number	C an..6	N	
0133	Character encoding, coded	C an..3	N	
0076	Syntax release number	C an2	N	
S002	Interchange sender	M	M	
0004	Interchange sender identification	M an..35	M an..35	General Notes Name or Coded ID of the Sender of the Interchange: This will be agreed between the interchange parties and may be specified in element 0007
0007	Identification code qualifier	C an..4	C an..4	General Notes All valid Codes are used and refer to an organisation ID as in ISO 6523 List of valid codes ZZZ Mutually defined
0008	Interchange sender internal identification	C an..35	N	
0042	Interchange sender internal sub-identification	C an..35	N	
S003	Interchange recipient	M	M	
0010	Interchange recipient identification	M an..35	M an..35	General Notes Name or Coded ID of the Receiver of the Interchange: This will be agreed between the interchange parties and may be specified in element 0007
0007	Identification code qualifier	C an..4	C an..4	General Notes All valid Codes are used and refer to an organisation ID as in ISO 6523
0014	Interchange recipient internal identification	C an..35	N	
0046	Interchange recipient internal sub-identification	C an..35	N	
S004	Date and time of preparation	M	M	
0017	Date	M n8	M n8	General Notes Local Date when Interchange prepared in format 'yymmdd'

No = Consecutive segment number
 MaxOcc = Maximum occurrence of the segment/group
 Counter = Counter of segment/group within the standard

St = Status
 EDIFACT: M=Mandatory, C=Conditional
 User specific: R=Required, O=Optional, D=Dependent,
 A=Advised, N=Not used



		Standard	Implementation	
Tag	Name	St Format	St Format	Usage / Remark
0019	Time	M n4	M n4	General Notes Local Time when Interchange prepared in format 'hhmm' as 24 hour clock
0020	Interchange control reference	M an..14	M an..14	General Notes Unique Reference assigned by the Sender for the Interchange
S005	Recipient reference/password details	C	N	
0022	Recipient reference/password	M an..14	N	
0025	Recipient reference/password qualifier	C an2	N	
0026	Application reference	C an..14	N	
0029	Processing priority code	C a1	N	
0031	Acknowledgement request	C n1	N	
0032	Interchange agreement identifier	C an..35	N	
0035	Test indicator	C n1	C n1	
				List of valid codes
				1 Interchange is a test

Segment Remarks:

General Notes

Message examples:

UNB+UNOC:4+5790000834129:ZZZ:+PartnerId:ZZZ:+20221220:1500+00000000012345'

Example:

UNB+UNOC:4+5790000834129:ZZZ+PartnerId:ZZZ+20221220:1500+00000000012345+++++1'

No = Consecutive segment number
 MaxOcc = Maximum occurrence of the segment/group
 Counter = Counter of segment/group within the standard

St = Status
 EDIFACT: M=Mandatory, C=Conditional
 User specific: R=Required, O=Optional, D=Dependent,
 A=Advised, N=Not used



Counter	No	Tag	St	MaxOcc	Level	Name
---------	----	-----	----	--------	-------	------

0010 3 **UNH** M 1 0 Message header

		Standard	Implementation	
Tag	Name	St Format	St Format	Usage / Remark
UNH				
0062	Message reference number	M an..14	M an..14	
S009	Message identifier	M	M	
0065	Message type	M an..6	M an..6	List of valid codes INVOIC Invoice message
0052	Message version number	M an..3	M an..3	List of valid codes D Draft version/UN/EDIFACT Directory
0054	Message release number	M an..3	M an..3	List of valid codes 10B Release 2010 - B
0051	Controlling agency, coded	M an..3	M an..3	List of valid codes UN UN/CEFACT
0057	Association assigned code	C an..6	N	
0110	Code list directory version number	C an..6	N	
0113	Message type sub-function identification	C an..6	N	
0068	Common access reference	C an..35	N	
S010	Status of the transfer	C	N	
0070	Sequence of transfers	M n..2	N	
0073	First and last transfer	C a1	N	
S016	Message subset identification	C	N	
0115	Message subset identification	M an..14	N	
0116	Message subset version number	C an..3	N	
0118	Message subset release number	C an..3	N	
0051	Controlling agency, coded	C an..3	N	
S017	Message implementation guideline identification	C	N	
0121	Message implementation guideline identification	M an..14	N	
0122	Message implementation guideline version number	C an..3	N	
0124	Message implementation guideline release number	C an..3	N	
0051	Controlling agency, coded	C an..3	N	
S018	Scenario identification	C	N	
0127	Scenario identification	M an..14	N	
0128	Scenario version number	C an..3	N	
0130	Scenario release number	C an..3	N	
0051	Controlling agency, coded	C an..3	N	

No = Consecutive segment number
 MaxOcc = Maximum occurrence of the segment/group
 Counter = Counter of segment/group within the standard

St = Status
 EDIFACT: M=Mandatory, C=Conditional
 User specific: R=Required, O=Optional, D=Dependent,
 A=Advised, N=Not used



Segment Remarks:

GeneralNotes

Message examples:

UNH+123456+INVOIC:D:10B:UN'

Example:

UNH+123456+INVOIC:D:10B:UN'

No = Consecutive segment number
MaxOcc = Maximum occurrence of the segment/group
Counter = Counter of segment/group within the standard

St = Status
EDIFACT: M=Mandatory, C=Conditional
User specific: R=Required, O=Optional, D=Dependent,
A=Advised, N=Not used



Counter	No	Tag	St	MaxOcc	Level	Name
---------	----	-----	----	--------	-------	------

0020 4 **BGM** M 1 0 Beginning of message

		Standard	Implementation	
Tag	Name	St Format	St Format	Usage / Remark
BGM				
C002	Document/message name	C	C	
1001	Document name code	C an..3	C an..3	<p>List of valid codes</p> <p>380 Commercial invoice</p> <p>381 Credit note</p>
1131	Code list identification code	C an..17	N	
3055	Code list responsible agency code	C an..3	N	
1000	Document name	C an..35	N	
C106	Document/message identification	C	C	
1004	Document identifier	C an..70	C an..70	
1056	Version identifier	C an..9	N	
1060	Revision identifier	C an..6	N	
1225	Message function code	C an..3	C an..3	<p>List of valid codes</p> <p>9 Original</p>
4343	Response type code	C an..3	N	

Segment Remarks:

General Notes

Message examples:

BGM+380+DK456654+9'

BGM+381+DK456654+9'

Example:

BGM+380+DK456654+9'

No = Consecutive segment number
 MaxOcc = Maximum occurrence of the segment/group
 Counter = Counter of segment/group within the standard

St = Status
 EDIFACT: M=Mandatory, C=Conditional
 User specific: R=Required, O=Optional, D=Dependent,
 A=Advised, N=Not used



Counter	No	Tag	St	MaxOcc	Level	Name
---------	----	-----	----	--------	-------	------

0030 5 **DTM** M 35 1 Date/time/period

Standard			Implementation	
Tag	Name	St Format	St Format	Usage / Remark
DTM				
C507	Date/time/period	M	M	
2005	Date or time or period function code qualifier	M an..3	M an..3	<p>List of valid codes</p> <p>137 Document issue date time</p>
2380	Date or time or period text	C an..35	C an..35	
2379	Date or time or period format code	C an..3	C an..3	<p>List of valid codes</p> <p>203 CCYYMMDDHHMM</p>

Segment Remarks:

General Notes

Message examples:
DTM+137:202211182100:203'

Example:

DTM+137:201804040800:203'

No = Consecutive segment number
MaxOcc = Maximum occurrence of the segment/group
Counter = Counter of segment/group within the standard

St = Status
EDIFACT: M=Mandatory, C=Conditional
User specific: R=Required, O=Optional, D=Dependent,
A=Advised, N=Not used



Counter	No	Tag	St	MaxOcc	Level	Name
---------	----	-----	----	--------	-------	------

0030	6	DTM	M	35	1	Date/time/period
------	---	------------	---	----	---	------------------

		Standard	Implementation	
Tag	Name	St Format	St Format	Usage / Remark
DTM				
C507	Date/time/period	M	M	
2005	Date or time or period function code qualifier	M an..3	M an..3	List of valid codes 3 Invoice document issue date time
2380	Date or time or period text	C an..35	C an..35	
2379	Date or time or period format code	C an..3	C an..3	List of valid codes 203 CCYYMMDDHHMM

Segment Remarks:

General Notes

Message examples:

DTM+3:202211012100:203'

Example:

DTM+3:201804121600:203'

No = Consecutive segment number
 MaxOcc = Maximum occurrence of the segment/group
 Counter = Counter of segment/group within the standard

St = Status
 EDIFACT: M=Mandatory, C=Conditional
 User specific: R=Required, O=Optional, D=Dependent,
 A=Advised, N=Not used



Counter	No	Tag	St	MaxOcc	Level	Name
---------	----	-----	----	--------	-------	------

0070 7 **FTX** C 99 1 Free text

		Standard	Implementation	
Tag	Name	St Format	St Format	Usage / Remark
FTX				
4451	Text subject code qualifier	M an..3	M an..3	List of valid codes ADU Note
4453	Free text function code	C an..3	N	
C107	Text reference	C	N	
4441	Free text description code	M an..17	N	
1131	Code list identification code	C an..17	N	
3055	Code list responsible agency code	C an..3	N	
C108	Text literal	C	C	
4440	Free text	M an..512	M an..512	
4440	Free text	C an..512	N	
4440	Free text	C an..512	N	
4440	Free text	C an..512	N	
4440	Free text	C an..512	N	
3453	Language name code	C an..3	N	
4447	Free text format code	C an..3	N	

Segment Remarks:

General Notes

Message examples:
FTX+ADU+++Note'

Example:

FTX+ADU+++Note'

No = Consecutive segment number
MaxOcc = Maximum occurrence of the segment/group
Counter = Counter of segment/group within the standard

St = Status
EDIFACT: M=Mandatory, C=Conditional
User specific: R=Required, O=Optional, D=Dependent,
A=Advised, N=Not used



Counter	No	Tag	St	MaxOcc	Level	Name
---------	----	-----	----	--------	-------	------

0070 8 **FTX** C 99 1 Free text

		Standard	Implementation	
Tag	Name	St Format	St Format	Usage / Remark
FTX				
4451	Text subject code qualifier	M an..3	M an..3	List of valid codes DCL Document issuer declaration
4453	Free text function code	C an..3	N	
C107	Text reference	C	N	
4441	Free text description code	M an..17	N	
1131	Code list identification code	C an..17	N	
3055	Code list responsible agency code	C an..3	N	
C108	Text literal	C	C	
4440	Free text	M an..512	M an..512	
4440	Free text	C an..512	C an..512	
4440	Free text	C an..512	C an..512	
4440	Free text	C an..512	C an..512	
4440	Free text	C an..512	C an..512	
3453	Language name code	C an..3	N	
4447	Free text format code	C an..3	N	

Segment Remarks:

General Notes

Message examples:

FTX+DCL+++Document issuer declaration'

Example:

FTX+DCL+++Document issuer declaration:X:X:X'

No = Consecutive segment number
 MaxOcc = Maximum occurrence of the segment/group
 Counter = Counter of segment/group within the standard

St = Status
 EDIFACT: M=Mandatory, C=Conditional
 User specific: R=Required, O=Optional, D=Dependent,
 A=Advised, N=Not used



Counter	No	Tag	St	MaxOcc	Level	Name
---------	----	-----	----	--------	-------	------

0080 9 **LOC** C 10 1 Place/location identification

		Standard	Implementation	
Tag	Name	St Format	St Format	Usage / Remark
LOC				
3227	Location function code qualifier	M an..3	M an..3	List of valid codes 183 Place of business
C517	Location identification	C	C	
3225	Location identifier	C an..35	C an..35	
1131	Code list identification code	C an..17	N	
3055	Code list responsible agency code	C an..3	N	
3224	Location name	C an..256	C an..256	
C519	Related location one identification	C	N	
3223	First related location identifier	C an..35	N	
1131	Code list identification code	C an..17	N	
3055	Code list responsible agency code	C an..3	N	
3222	First related location name	C an..70	N	
C553	Related location two identification	C	N	
3233	Second related location identifier	C an..35	N	
1131	Code list identification code	C an..17	N	
3055	Code list responsible agency code	C an..3	N	
3232	Second related location name	C an..70	N	
5479	Relation code	C an..3	N	

Segment Remarks:

General Notes

Message examples:

LOC+183+I382:::DKHOR'

Example:

LOC+183+I382:::DKHOR'

No = Consecutive segment number
 MaxOcc = Maximum occurrence of the segment/group
 Counter = Counter of segment/group within the standard

St = Status
 EDIFACT: M=Mandatory, C=Conditional
 User specific: R=Required, O=Optional, D=Dependent,
 A=Advised, N=Not used



Counter	No	Tag	St	MaxOcc	Level	Name	
	0120	SG1	C	99999	1	RFF	
	0130	10	RFF	M	1	1	Reference

Standard			Implementation	
Tag	Name	St Format	St Format	Usage / Remark
RFF				
C506	Reference	M	M	
1153	Reference code qualifier	M an..3	M an..3	
				List of valid codes
				AAM Waybill number
				AAS Transport contract document identifier
				AFB Cargo manifest number
				BH House bill of lading number
				CRN Transport means journey identifier
				MB Master bill of lading number
				SRN Shipment reference number
				TIN Transport instruction number
				ZCU Customer reference
				PQ Payment reference
				OI Previous invoice number
1154	Reference identifier	C an..70	C an..70	
1156	Document line identifier	C an..6	C an..6	
1056	Version identifier	C an..9	N	
1060	Revision identifier	C an..6	N	

Segment Remarks:

General Notes

Message examples:
 RFF+AAS:6982842384'
 RFF+AAM:310651'
 RFF+AFB:DSV-12345'
 RFF+BH:DSV1234567'
 RFF+CRN:321654'
 RFF+MB:310651'
 RFF+OI:DK456654'
 RFF+SRN:69828423841234567'

Example:

RFF+AAM:1223559:X'

No = Consecutive segment number
 MaxOcc = Maximum occurrence of the segment/group
 Counter = Counter of segment/group within the standard

St = Status
 EDIFACT: M=Mandatory, C=Conditional
 User specific: R=Required, O=Optional, D=Dependent,
 A=Advised, N=Not used



Counter	No	Tag	St	MaxOcc	Level	Name
0120		SG1 Sea Notes	C	99999	1	RFF
0130	11	RFF	M	1	1	Reference

		Standard	Implementation	
Tag	Name	St Format	St Format	Usage / Remark
RFF				
C506	Reference	M	M	
1153	Reference code qualifier	M an..3	M an..3	List of valid codes CU Consignment identifier, consignor assigned
1154	Reference identifier	C an..70	C an..70	
1156	Document line identifier	C an..6	N	
1056	Version identifier	C an..9	N	
1060	Revision identifier	C an..6	N	

Segment Remarks:

General Notes

Message examples:

RFF+CU:12345'

Example:

RFF+CU:1223559'

No = Consecutive segment number
 MaxOcc = Maximum occurrence of the segment/group
 Counter = Counter of segment/group within the standard

St = Status
 EDIFACT: M=Mandatory, C=Conditional
 User specific: R=Required, O=Optional, D=Dependent,
 A=Advised, N=Not used



Counter	No	Tag	St	MaxOcc	Level	Name
0120		SG1	C	99999	1	RFF
0130	12	RFF	M	1	1	Reference

Standard			Implementation	
Tag	Name	St Format	St Format	Usage / Remark
RFF				
C506	Reference	M	M	
1153	Reference code qualifier	M an..3	M an..3	List of valid codes PQ Payment reference
1154	Reference identifier	C an..70	C an..70	
1156	Document line identifier	C an..6	N	
1056	Version identifier	C an..9	N	
1060	Revision identifier	C an..6	N	

Segment Remarks:

General Notes

Message examples:

RFF+PQ:309863385000006298123'

Example:

RFF+PQ:309863385000006298123'

No = Consecutive segment number
 MaxOcc = Maximum occurrence of the segment/group
 Counter = Counter of segment/group within the standard

St = Status
 EDIFACT: M=Mandatory, C=Conditional
 User specific: R=Required, O=Optional, D=Dependent,
 A=Advised, N=Not used



Counter	No	Tag	St	MaxOcc	Level	Name
	0220	SG2	C	99	1	NAD-FII-SG3-SG4-SG5
	0230	NAD	M	1	1	Name and address

Standard			Implementation	
Tag	Name	St Format	St Format	Usage / Remark
NAD				
3035	Party function code qualifier	M an..3	M an..3	List of valid codes II Invoice issuer
C082	Party identification details	C	C	
3039	Party identifier	M an..35	M an..35	
1131	Code list identification code	C an..17	N	
3055	Code list responsible agency code	C an..3	C an..3	List of valid codes 9 GS1
C058	Name and address	C	N	
3124	Name and address description	M an..35	N	
3124	Name and address description	C an..35	N	
3124	Name and address description	C an..35	N	
3124	Name and address description	C an..35	N	
3124	Name and address description	C an..35	N	
C080	Party name	C	C	
3036	Party name	M an..70	M an..70	
3036	Party name	C an..70	N	
3036	Party name	C an..70	N	
3036	Party name	C an..70	N	
3036	Party name	C an..70	N	
3045	Party name format code	C an..3	N	
C059	Street	C	C	
3042	Street and number or post office box identifier	M an..35	M an..35	
3042	Street and number or post office box identifier	C an..35	C an..35	
3042	Street and number or post office box identifier	C an..35	C an..35	
3042	Street and number or post office box identifier	C an..35	N	
3164	City name	C an..35	C an..35	
C819	Country subdivision details	C	N	
3229	Country subdivision identifier	C an..9	C an..9	
1131	Code list identification code	C an..17	N	
3055	Code list responsible agency code	C an..3	N	
3228	Country subdivision name	C an..70	N	
3251	Postal identification code	C an..17	C an..17	
3207	Country identifier	C an..3	C an..3	

Segment Remarks:

No = Consecutive segment number
 MaxOcc = Maximum occurrence of the segment/group
 Counter = Counter of segment/group within the standard

St = Status
 EDIFACT: M=Mandatory, C=Conditional
 User specific: R=Required, O=Optional, D=Dependent,
 A=Advised, N=Not used



General Notes

Message examples:

NAD+II+123456789::91++Invoice issuer+West street 10+CITY++134408+XX'

Example:

NAD+II+987654321::9++Invoice issuer+East street 20:2nd address:X+HEDEHUSENE++2630+DK'

No = Consecutive segment number
MaxOcc = Maximum occurrence of the segment/group
Counter = Counter of segment/group within the standard

St = Status
EDIFACT: M=Mandatory, C=Conditional
User specific: R=Required, O=Optional, D=Dependent,
A=Advised, N=Not used



Counter	No	Tag	St	MaxOcc	Level	Name	
	0220	SG2	C	99	1	NAD-FII-SG3-SG4-SG5	
	0250	14	FII	C	5	2	Financial institution information

Standard			Implementation	
Tag	Name	St Format	St Format	Usage / Remark
FII				
3035	Party function code qualifier	M an..3	M an..3	List of valid codes II Invoice issuer
C078	Account holder identification	C	C	
3194	Account holder identifier	C an..35	C an..35	
3192	Account holder name	C an..35	C an..35	
3192	Account holder name	C an..35	N	
6345	Currency identification code	C an..3	N	
C088	Institution identification	C	C	
3433	Institution name code	C an..11	C an..11	
1131	Code list identification code	C an..17	N	
3055	Code list responsible agency code	C an..3	C an..3	List of valid codes 17 S.W.I.F.T.
3434	Institution branch identifier	C an..17	C an..17	
1131	Code list identification code	C an..17	N	
3055	Code list responsible agency code	C an..3	N	
3432	Institution name	C an..70	C an..70	
3436	Institution branch location name	C an..70	C an..70	
3207	Country identifier	C an..3	N	

Segment Remarks:

General Notes

Message examples:

FII+II+SE 19 9500 0099 6034 0872 0708:DSV Air & Sea AB:NDEASESS::17:3408720708::9960:NORDEA BANK AB'

Example:

FII+II+SE 19 9500 0099 6034 0872 0708:DSV Air & Sea AB+NDEASESS::17:3408720708::9960:NORDEA B ANK AB'

No = Consecutive segment number
 MaxOcc = Maximum occurrence of the segment/group
 Counter = Counter of segment/group within the standard

St = Status
 EDIFACT: M=Mandatory, C=Conditional
 User specific: R=Required, O=Optional, D=Dependent,
 A=Advised, N=Not used



Counter No	Tag	St	MaxOcc	Level	Name
0270	SG3	C	9999	2	RFF
0280 15	RFF	M	1	2	Reference

		Standard	Implementation	
Tag	Name	St Format	St Format	Usage / Remark
RFF				
C506	Reference	M	M	
1153	Reference code qualifier	M an..3	M an..3	List of valid codes VA VAT registration number
1154	Reference identifier	C an..70	C an..70	
1156	Document line identifier	C an..6	N	
1056	Version identifier	C an..9	N	
1060	Revision identifier	C an..6	N	

Segment Remarks:

General Notes

Message examples:

RFF+VA:DK1234567890'

Example:

RFF+VA:VATNumber '

No = Consecutive segment number
 MaxOcc = Maximum occurrence of the segment/group
 Counter = Counter of segment/group within the standard

St = Status
 EDIFACT: M=Mandatory, C=Conditional
 User specific: R=Required, O=Optional, D=Dependent,
 A=Advised, N=Not used



Counter	No	Tag	St	MaxOcc	Level	Name
	0300	SG4	C	5	2	DOC
	0310	DOC	M	1	2	Document/message details

		Standard	Implementation	
Tag	Name	St Format	St Format	Usage / Remark
DOC				
C002	Document/message name	M	M	
1001	Document name code	C an..3	C an..3	
				List of valid codes
				385 Consolidated invoice
				395 Consignment invoice
1131	Code list identification code	C an..17	N	
3055	Code list responsible agency code	C an..3	N	
1000	Document name	C an..35	N	
C503	Document/message details	C	N	
1004	Document identifier	C an..70	N	
1373	Document status code	C an..3	N	
1366	Document source description	C an..70	N	
3453	Language name code	C an..3	N	
1056	Version identifier	C an..9	N	
1060	Revision identifier	C an..6	N	
3153	Communication medium type code	C an..3	N	
1220	Document copies required quantity	C n..2	N	
1218	Document originals required quantity	C n..2	N	

Segment Remarks:

General Notes

Composite / Single Invoice Flag.

When reading NAD type "II"

If Consolidated Invoice then this defined as 385

If single Invoice defined as Consignment Invoice (Including Transports) as 395

Message examples:

DOC+385'

DOC+395'

Example:

DOC+385'

No = Consecutive segment number
 MaxOcc = Maximum occurrence of the segment/group
 Counter = Counter of segment/group within the standard

St = Status
 EDIFACT: M=Mandatory, C=Conditional
 User specific: R=Required, O=Optional, D=Dependent,
 A=Advised, N=Not used



Counter	No	Tag	St	MaxOcc	Level	Name	
	0330	SG5	C	5	2	CTA-COM	
	0340	17	CTA	M	1	2	Contact information

Standard			Implementation	
Tag	Name	St Format	St Format	Usage / Remark
CTA				
3139	Contact function code	C an..3	C an..3	List of valid codes AR Accounts receivable contact
C056	Contact details	C	C	
3413	Contact identifier	C an..17	N	
3412	Contact name	C an..256	C an..256	

Segment Remarks:

General Notes

Message examples:

CTA+AR+:Invoice issuer'

Example:

CTA+AR+:Invoice issuer'

No = Consecutive segment number
 MaxOcc = Maximum occurrence of the segment/group
 Counter = Counter of segment/group within the standard

St = Status
 EDIFACT: M=Mandatory, C=Conditional
 User specific: R=Required, O=Optional, D=Dependent,
 A=Advised, N=Not used



Counter	No	Tag	St	MaxOcc	Level	Name
0330		SG5	C	5	2	CTA-COM
0350	18	COM	C	5	3	Communication contact

Standard			Implementation	
Tag	Name	St Format	St Format	Usage / Remark
COM				
C076	Communication contact	M	M	
3148	Communication address identifier	M an..512	M an..512	
3155	Communication means type code	M an..3	M an..3	
				List of valid codes
				TE Telephone

Segment Remarks:

General Notes

Methods of contact - - Repeated for both Email and Telephone

Message examples:

COM+010-99999999:TE'

COM+contact@email.com'

Example:

COM+010-4455663388:TE'

No = Consecutive segment number
 MaxOcc = Maximum occurrence of the segment/group
 Counter = Counter of segment/group within the standard

St = Status
 EDIFACT: M=Mandatory, C=Conditional
 User specific: R=Required, O=Optional, D=Dependent,
 A=Advised, N=Not used



Counter	No	Tag	St	MaxOcc	Level	Name
	0330	SG5	C	5	2	CTA-COM
	0350	19 COM	C	5	3	Communication contact

Standard			Implementation	
Tag	Name	St Format	St Format	Usage / Remark
COM				
C076	Communication contact	M	M	
3148	Communication address identifier	M an..512	M an..512	
3155	Communication means type code	M an..3	M an..3	
				List of valid codes
				EM Electronic mail

Segment Remarks:

General Notes

Methods of contact - - Repeated for both Email and Telephone

Message examples:

COM+010-99999999:TE'

COM+contact@email.com'

Example:

COM+abc@xx.dsv.com:EM'

No = Consecutive segment number
 MaxOcc = Maximum occurrence of the segment/group
 Counter = Counter of segment/group within the standard

St = Status
 EDIFACT: M=Mandatory, C=Conditional
 User specific: R=Required, O=Optional, D=Dependent,
 A=Advised, N=Not used



Counter	No	Tag	St	MaxOcc	Level	Name	
	0220	SG2	C	99	1	NAD-SG3-SG5	
	0230	20	NAD	M	1	1	Name and address

Standard			Implementation	
Tag	Name	St Format	St Format	Usage / Remark
NAD				
3035	Party function code qualifier	M an..3	M an..3	List of valid codes IV Invoicee
C082	Party identification details	C	C	
3039	Party identifier	M an..35	M an..35	
1131	Code list identification code	C an..17	N	
3055	Code list responsible agency code	C an..3	C an..3	List of valid codes 9 GS1
C058	Name and address	C	N	
3124	Name and address description	M an..35	N	
3124	Name and address description	C an..35	N	
3124	Name and address description	C an..35	N	
3124	Name and address description	C an..35	N	
3124	Name and address description	C an..35	N	
C080	Party name	C	C	
3036	Party name	M an..70	M an..70	
3036	Party name	C an..70	N	
3036	Party name	C an..70	N	
3036	Party name	C an..70	N	
3036	Party name	C an..70	N	
3045	Party name format code	C an..3	N	
C059	Street	C	C	
3042	Street and number or post office box identifier	M an..35	M an..35	
3042	Street and number or post office box identifier	C an..35	C an..35	
3042	Street and number or post office box identifier	C an..35	C an..35	
3042	Street and number or post office box identifier	C an..35	N	
3164	City name	C an..35	C an..35	
C819	Country subdivision details	C	N	
3229	Country subdivision identifier	C an..9	C an..9	
1131	Code list identification code	C an..17	N	
3055	Code list responsible agency code	C an..3	N	
3228	Country subdivision name	C an..70	N	
3251	Postal identification code	C an..17	C an..17	
3207	Country identifier	C an..3	C an..3	

Segment Remarks:

No = Consecutive segment number
 MaxOcc = Maximum occurrence of the segment/group
 Counter = Counter of segment/group within the standard

St = Status
 EDIFACT: M=Mandatory, C=Conditional
 User specific: R=Required, O=Optional, D=Dependent,
 A=Advised, N=Not used



General Notes

Message examples:

NAD+IV+987654321::87++Invoicee+East street 5+CITY++12345+XX'

Example:

NAD+IV+123456789::9++Company +West street 12B:Warehouse 8:150+COPENHAGEN++1610+DK'

No = Consecutive segment number
MaxOcc = Maximum occurrence of the segment/group
Counter = Counter of segment/group within the standard

St = Status
EDIFACT: M=Mandatory, C=Conditional
User specific: R=Required, O=Optional, D=Dependent,
A=Advised, N=Not used



Counter	No	Tag	St	MaxOcc	Level	Name
0270		SG3	C	9999	2	RFF
0280	21	RFF	M	1	2	Reference

Standard			Implementation	
Tag	Name	St Format	St Format	Usage / Remark
RFF				
C506	Reference	M	M	
1153	Reference code qualifier	M an..3	M an..3	List of valid codes VA VAT registration number
1154	Reference identifier	C an..70	C an..70	
1156	Document line identifier	C an..6	N	
1056	Version identifier	C an..9	N	
1060	Revision identifier	C an..6	N	

Segment Remarks:

General Notes

Message examples:

RFF+VA:DK1234567890'

Example:

RFF+VA:VATNumber '

No = Consecutive segment number
 MaxOcc = Maximum occurrence of the segment/group
 Counter = Counter of segment/group within the standard

St = Status
 EDIFACT: M=Mandatory, C=Conditional
 User specific: R=Required, O=Optional, D=Dependent,
 A=Advised, N=Not used



Counter	No	Tag	St	MaxOcc	Level	Name
	0330	SG5	C	5	2	CTA-COM
	0340	22 CTA	M	1	2	Contact information

Standard			Implementation	
Tag	Name	St Format	St Format	Usage / Remark
CTA				
3139	Contact function code	C an..3	C an..3	List of valid codes AP Accounts payable contact
C056	Contact details	C	C	
3413	Contact identifier	C an..17	N	
3412	Contact name	C an..256	C an..256	

Segment Remarks:

General Notes

Message examples:
CTA+AP+:Invoicee'

Example:

CTA+AP+:Invoicee'

No = Consecutive segment number
 MaxOcc = Maximum occurrence of the segment/group
 Counter = Counter of segment/group within the standard

St = Status
 EDIFACT: M=Mandatory, C=Conditional
 User specific: R=Required, O=Optional, D=Dependent,
 A=Advised, N=Not used



Counter	No	Tag	St	MaxOcc	Level	Name
0330		SG5	C	5	2	CTA-COM
0350	23	COM	C	5	3	Communication contact

Standard			Implementation	
Tag	Name	St Format	St Format	Usage / Remark
COM				
C076	Communication contact	M	M	
3148	Communication address identifier	M an..512	M an..512	
3155	Communication means type code	M an..3	M an..3	
				List of valid codes
				TE Telephone

Segment Remarks:

General Notes

Methods of contact - - Repeated for both Email and Telephone

Message examples:

COM+010-99999999:TE'
COM+contact@email.com'

Example:

COM+010-4455663388:TE'

No = Consecutive segment number
MaxOcc = Maximum occurrence of the segment/group
Counter = Counter of segment/group within the standard

St = Status
EDIFACT: M=Mandatory, C=Conditional
User specific: R=Required, O=Optional, D=Dependent,
A=Advised, N=Not used



Counter	No	Tag	St	MaxOcc	Level	Name
0330		SG5	C	5	2	CTA-COM
0350	24	COM	C	5	3	Communication contact

Standard			Implementation	
Tag	Name	St Format	St Format	Usage / Remark
COM				
C076	Communication contact	M	M	
3148	Communication address identifier	M an..512	M an..512	
3155	Communication means type code	M an..3	M an..3	
				List of valid codes
				EM Electronic mail

Segment Remarks:

General Notes

Methods of contact - - Repeated for both Email and Telephone

Message examples:

COM+010-99999999:TE'

COM+contact@email.com'

Example:

COM+abc@xx.dsv.com:EM'

No = Consecutive segment number
 MaxOcc = Maximum occurrence of the segment/group
 Counter = Counter of segment/group within the standard

St = Status
 EDIFACT: M=Mandatory, C=Conditional
 User specific: R=Required, O=Optional, D=Dependent,
 A=Advised, N=Not used



Counter	No	Tag	St	MaxOcc	Level	Name
0400		SG7	C	99	1	CUX-DTM
0410	25	CUX	M	1	1	Currencies

Standard			Implementation	
Tag	Name	St Format	St Format	Usage / Remark
CUX				
C504	Currency details	C	C	
6347	Currency usage code qualifier	M an..3	M an..3	List of valid codes 2 Reference currency
6345	Currency identification code	C an..3	C an..3	
6343	Currency type code qualifier	C an..3	C an..3	List of valid codes 10 Pricing currency
6348	Currency rate	C n..4	N	
C504	Currency details	C	C	
6347	Currency usage code qualifier	M an..3	M an..3	List of valid codes 3 Target currency
6345	Currency identification code	C an..3	C an..3	General Notes All currencies allowed using ISO4217 three alpha character code
6343	Currency type code qualifier	C an..3	C an..3	List of valid codes 11 Payment currency
6348	Currency rate	C n..4	N	
5402	Currency exchange rate	C n..12	C n..12	General Notes Rate of exchange between the currencies. In case of several exchange rates, the last one will be visible. Details of each exchange rate can be found in SG43/CUX.5402
6341	Exchange rate currency market identifier	C an..3	N	

Segment Remarks:

General Notes

If Single Invoice and 1 currency Rate then this segment is used for Rate of Exchange

Message examples:

CUX+2:DKK:10+3:EUR:11+0.75'

Example:

CUX+2:DKK:10+3:EUR:11+1'

No = Consecutive segment number
 MaxOcc = Maximum occurrence of the segment/group
 Counter = Counter of segment/group within the standard

St = Status
 EDIFACT: M=Mandatory, C=Conditional
 User specific: R=Required, O=Optional, D=Dependent,
 A=Advised, N=Not used



Counter	No	Tag	St	MaxOcc	Level	Name
0400		SG7	C	99	1	CUX-DTM
0420	26	DTM	C	5	2	Date/time/period

Standard			Implementation	
Tag	Name	St Format	St Format	Usage / Remark
DTM				
C507	Date/time/period	M	M	
2005	Date or time or period function code qualifier	M an..3	M an..3	General Notes If Currency same then this segment not required List of valid codes 134 Rate of exchange date/time
2380	Date or time or period text	C an..35	C an..35	
2379	Date or time or period format code	C an..3	C an..3	List of valid codes 102 CCYYMMDD

Segment Remarks:

Example:

DTM+134:20181102:102'

No = Consecutive segment number
 MaxOcc = Maximum occurrence of the segment/group
 Counter = Counter of segment/group within the standard

St = Status
 EDIFACT: M=Mandatory, C=Conditional
 User specific: R=Required, O=Optional, D=Dependent,
 A=Advised, N=Not used



Counter	No	Tag	St	MaxOcc	Level	Name
0430		SG8	C	10	1	PYT-DTM
0440	27	PYT	M	1	1	Payment terms

Standard			Implementation	
Tag	Name	St Format	St Format	Usage / Remark
PYT				
4279	Payment terms type code qualifier	M an..3	M an..3	<p>List of valid codes</p> <p>3 Fixed date 2 End of month 18 Previously agreed upon 45 Contract basis 47 Dating given</p>
C019	Payment terms	C	C	
4277	Payment terms description identifier	C an..17	N	
1131	Code list identification code	C an..17	N	
3055	Code list responsible agency code	C an..3	N	
4276	Payment terms description	C an..35	C an..35	
2475	Event time reference code	C an..3	N	
2009	Terms time relation code	C an..3	N	
2151	Period type code	C an..3	C an..3	<p>List of valid codes</p> <p>M Month D Day</p>
2152	Period count quantity	C n..3	C n..3	

Segment Remarks:

General Notes

Terms of Payment

Message examples:

PYT+3+:::Desc.of terms+++D+45'

Example:

PYT+3+:::Desc. of terms+++D+45'

No = Consecutive segment number
 MaxOcc = Maximum occurrence of the segment/group
 Counter = Counter of segment/group within the standard

St = Status
 EDIFACT: M=Mandatory, C=Conditional
 User specific: R=Required, O=Optional, D=Dependent,
 A=Advised, N=Not used



Counter	No	Tag	St	MaxOcc	Level	Name
0430		SG8	C	10	1	PYT-DTM
0450	28	DTM	C	5	2	Date/time/period

Standard			Implementation	
Tag	Name	St Format	St Format	Usage / Remark
DTM				
C507	Date/time/period	M	M	
2005	Date or time or period function code qualifier	M an..3	M an..3	<p>List of valid codes</p> <p>13 Terms net due date</p>
2380	Date or time or period text	C an..35	C an..35	
2379	Date or time or period format code	C an..3	C an..3	<p>List of valid codes</p> <p>102 CCYYMMDD</p>

Segment Remarks:

General Notes

Date of Invoice Payment required

Message examples:

DTM+13:20221220:102'

Example:

DTM+13:20180531:102'

No = Consecutive segment number
 MaxOcc = Maximum occurrence of the segment/group
 Counter = Counter of segment/group within the standard

St = Status
 EDIFACT: M=Mandatory, C=Conditional
 User specific: R=Required, O=Optional, D=Dependent,
 A=Advised, N=Not used



Counter	No	Tag	St	MaxOcc	Level	Name	
	0500	SG9	C	10	1	TDT-TSR-SG10-SG11	
	0510	29	TDT	M	1	1	Transport information

Standard			Implementation	
Tag	Name	St Format	St Format	Usage / Remark
TDT				
8051	Transport stage code qualifier	M an..3	M an..3	<p>List of valid codes</p> <p>15 Main carriage - fourth carrier 16 Main carriage - fifth carrier 20 Main-carriage transport 21 Main carriage - first carrier 22 Main carriage - second carrier 23 Main carriage - third carrier</p>
8028	Means of transport journey identifier	C an..17	C an..17	
C220	Mode of transport	C	C	
8067	Transport mode name code	C an..3	C an..3	<p>List of valid codes</p> <p>1 Maritime transport 3 Road transport 4 Air transport</p>
8066	Transport mode name	C an..17	N	
C001	Transport means	C	C	
8179	Transport means description code	C an..8	N	
1131	Code list identification code	C an..17	N	
3055	Code list responsible agency code	C an..3	N	
8178	Transport means description	C an..17	C an..17	
C040	Carrier	C	C	
3127	Carrier identifier	C an..17	C an..17	
1131	Code list identification code	C an..17	N	
3055	Code list responsible agency code	C an..3	N	
3126	Carrier name	C an..35	C an..35	
8101	Transit direction indicator code	C an..3	N	
C401	Excess transportation information	C	N	
8457	Excess transportation reason code	M an..3	N	
8459	Excess transportation responsibility code	M an..3	N	
7130	Customer shipment authorisation identifier	C an..17	N	
C222	Transport identification	C	C	
8213	Transport means identification name identifier	C an..35	N	
1131	Code list identification code	C an..17	N	

No = Consecutive segment number
 MaxOcc = Maximum occurrence of the segment/group
 Counter = Counter of segment/group within the standard

St = Status
 EDIFACT: M=Mandatory, C=Conditional
 User specific: R=Required, O=Optional, D=Dependent,
 A=Advised, N=Not used



		Standard	Implementation	
Tag	Name	St Format	St Format	Usage / Remark
3055	Code list responsible agency code	C an..3	N	
8212	Transport means identification name	C an..70	C an..70	
8453	Transport means nationality code	C an..3	N	
8281	Transport means ownership indicator code	C an..3	N	

Segment Remarks:

General Notes

Message examples:

TDT+20+Sea+1+:::LH320+:::Shipping line+++:::Vessel:US'

TDT+20++2'

TDT+20+++3'

TDT+20+Air+4+:::014W+:::Airline'

Example:

TDT+20+Air+1+:::LH320+6403864782:::LUFTHANSA+++:::LUFTHANSA'

No = Consecutive segment number
 MaxOcc = Maximum occurrence of the segment/group
 Counter = Counter of segment/group within the standard

St = Status
 EDIFACT: M=Mandatory, C=Conditional
 User specific: R=Required, O=Optional, D=Dependent,
 A=Advised, N=Not used



Counter	No	Tag	St	MaxOcc	Level	Name
0500		SG9	C	10	1	TDT-TSR-SG10-SG11
0520	30	TSR	C	1	2	Transport service requirements

Standard			Implementation	
Tag	Name	St Format	St Format	Usage / Remark
TSR				
C536	Contract and carriage condition	C	N	
4065	Contract and carriage condition code	M an..3	N	
1131	Code list identification code	C an..17	N	
3055	Code list responsible agency code	C an..3	N	
C233	Service	C	C	
7273	Service requirement code	M an..3	M an..3	<p>List of valid codes</p> <p>2 Full loads</p> <p>3 Less than full loads</p> <p>B07 Express 07:00 (DSV specific code)</p> <p>B10 Express 10:00 (DSV specific code)</p> <p>B12 Express 12:00 (DSV specific code)</p> <p>B16 Express 16:00 (DSV specific code)</p> <p>CRN Crane required loading or unloading or both (DSV specific code)</p> <p>EPL EPLT - E-service pallet (DSV specific code)</p> <p>EPR EPRC - E-service colli (DSV specific code)</p> <p>HAZ Hazardous goods (DSV specific code)</p> <p>ING INGT - InNight product (DSV specific code)</p> <p>LIF LIFT - Tail lift (DSV specific code)</p> <p>NTF NTFY - Notify (DSV specific code)</p> <p>OEX Omex service goods (DSV specific code)</p> <p>PAD PADV - Pre-advice (DSV specific code)</p> <p>PDS PDS - Personal delivery service (DSV specific code)</p>
1131	Code list identification code	C an..17	N	
3055	Code list responsible agency code	C an..3	N	
7273	Service requirement code	C an..3	N	
1131	Code list identification code	C an..17	N	
3055	Code list responsible agency code	C an..3	N	
C537	Transport priority	C	C	
4219	Transport service priority code	M an..3	M an..3	<p>List of valid codes</p> <p>1 Express</p> <p>2 High speed</p> <p>3 Normal speed</p> <p>4 Post service</p>
1131	Code list identification code	C an..17	N	
3055	Code list responsible agency code	C an..3	N	

No = Consecutive segment number
 MaxOcc = Maximum occurrence of the segment/group
 Counter = Counter of segment/group within the standard

St = Status
 EDIFACT: M=Mandatory, C=Conditional
 User specific: R=Required, O=Optional, D=Dependent,
 A=Advised, N=Not used



		Standard	Implementation	
Tag	Name	St Format	St Format	Usage / Remark
	code			
C703	Nature of cargo	C	N	
7085	Cargo type classification code	M an..3	N	
1131	Code list identification code	C an..17	N	
3055	Code list responsible agency code	C an..3	N	

Segment Remarks:

General Notes

Type of Service TSR

Message examples:

- TSR++3+3' (Road LTL, Normal speed)
- TSR++2+3' (Road FTL, Normal speed)
- TSR++B07' (Road DSV Express 07:00)
- TSR++B10' (Road DSV Express 10:00)
- TSR++B12' (Road DSV Express 12:00)
- TSR++B16' (Road DSV Express 16:00)
- TSR++CRN' (DSV Crane required loading or unloading or both)
- TSR++EPL' (DSV EPLT - E-service pallet)
- TSR++EPR' (DSV EPRC- E-service collie)
- TSR++HAZ' (DSV Hazardous goods)
- TSR++ING' (DSV INGT - InNight product)
- TSR++LIF' (DSV LIFT-Tail lift)
- TSR++NTF' (DSV NTFY - Notify)

Example:

TSR++2+1'

No = Consecutive segment number
 MaxOcc = Maximum occurrence of the segment/group
 Counter = Counter of segment/group within the standard

St = Status
 EDIFACT: M=Mandatory, C=Conditional
 User specific: R=Required, O=Optional, D=Dependent,
 A=Advised, N=Not used



Counter	No	Tag	St	MaxOcc	Level	Name
	0530	SG10	C	10	2	LOC-DTM
	0540	31 LOC	M	1	2	Place/location identification

Standard			Implementation	
Tag	Name	St Format	St Format	Usage / Remark
LOC				
3227	Location function code qualifier	M an..3	M an..3	List of valid codes 9 Place of loading
C517	Location identification	C	C	
3225	Location identifier	C an..35	C an..35	
1131	Code list identification code	C an..17	N	
3055	Code list responsible agency code	C an..3	N	
3224	Location name	C an..256	C an..256	
C519	Related location one identification	C	C	
3223	First related location identifier	C an..35	C an..35	
1131	Code list identification code	C an..17	C an..17	
3055	Code list responsible agency code	C an..3	C an..3	List of valid codes 3 IATA (International Air Transport Association)
3222	First related location name	C an..70	N	
C553	Related location two identification	C	C	
3233	Second related location identifier	C an..35	C an..35	
1131	Code list identification code	C an..17	N	
3055	Code list responsible agency code	C an..3	N	
3232	Second related location name	C an..70	N	
5479	Relation code	C an..3	N	

Segment Remarks:

General Notes

Place of Loading

Message examples:

LOC+9+KHKOS::6:SIHANOUKVILLE+KOS::3+40958::112'

Example:

LOC+9+DEFRA::Frankfurt am Main+X::3+X'

No = Consecutive segment number
 MaxOcc = Maximum occurrence of the segment/group
 Counter = Counter of segment/group within the standard

St = Status
 EDIFACT: M=Mandatory, C=Conditional
 User specific: R=Required, O=Optional, D=Dependent,
 A=Advised, N=Not used



Counter No	Tag	St	MaxOcc	Level	Name
0530	SG10	C	10	2	LOC-DTM
0550 32	DTM	C	5	3	Date/time/period

		Standard	Implementation	
Tag	Name	St Format	St Format	Usage / Remark
DTM				
C507	Date/time/period	M	M	
2005	Date or time or period function code qualifier	M an..3	M an..3	<p>List of valid codes</p> <p>757 Departure date/time from place of loading</p> <p>186 Transport means departure date/time, actual</p>
2380	Date or time or period text	C an..35	C an..35	
2379	Date or time or period format code	C an..3	C an..3	<p>List of valid codes</p> <p>203 CCYYMMDDHHMM</p>

Segment Remarks:

General Notes

Message examples:

DTM+186:202210071549:204'

DTM+757:202210051600:204'

Example:

DTM+186:201812131000:203'

No = Consecutive segment number
 MaxOcc = Maximum occurrence of the segment/group
 Counter = Counter of segment/group within the standard

St = Status
 EDIFACT: M=Mandatory, C=Conditional
 User specific: R=Required, O=Optional, D=Dependent,
 A=Advised, N=Not used



Counter	No	Tag	St	MaxOcc	Level	Name
0530		SG10	C	10	2	LOC-DTM
0540	33	LOC	M	1	2	Place/location identification

Standard			Implementation	
Tag	Name	St Format	St Format	Usage / Remark
LOC				
3227	Location function code qualifier	M an..3	M an..3	List of valid codes 8 Place of destination
C517	Location identification	C	C	
3225	Location identifier	C an..35	C an..35	
1131	Code list identification code	C an..17	N	
3055	Code list responsible agency code	C an..3	N	
3224	Location name	C an..256	C an..256	
C519	Related location one identification	C	N	
3223	First related location identifier	C an..35	N	
1131	Code list identification code	C an..17	N	
3055	Code list responsible agency code	C an..3	N	
3222	First related location name	C an..70	N	
C553	Related location two identification	C	N	
3233	Second related location identifier	C an..35	N	
1131	Code list identification code	C an..17	N	
3055	Code list responsible agency code	C an..3	N	
3232	Second related location name	C an..70	N	
5479	Relation code	C an..3	N	

Segment Remarks:

General Notes

Place of Destination

Message examples:

LOC+8+USLAX::6'

LOC+8+LAX:145:3:LOS ANGELES'

Example:

LOC+8+DEFRA:::Frankfurt am Main'

No = Consecutive segment number
 MaxOcc = Maximum occurrence of the segment/group
 Counter = Counter of segment/group within the standard

St = Status
 EDIFACT: M=Mandatory, C=Conditional
 User specific: R=Required, O=Optional, D=Dependent,
 A=Advised, N=Not used



Counter No	Tag	St	MaxOcc	Level	Name
0530	SG10	C	10	2	LOC-DTM
0550 34	DTM	C	5	3	Date/time/period

		Standard	Implementation	
Tag	Name	St Format	St Format	Usage / Remark
DTM				
C507	Date/time/period	M	M	
2005	Date or time or period function code qualifier	M an..3	M an..3	<p>List of valid codes</p> <p>132 Transport means arrival date time, estimated</p> <p>178 Transport means arrival date time, actual</p>
2380	Date or time or period text	C an..35	C an..35	
2379	Date or time or period format code	C an..3	C an..3	<p>List of valid codes</p> <p>203 CCYYMMDDHHMM</p>

Segment Remarks:

General Notes

Message examples:

DTM+132:202210071549:204'

DTM+178:202210051600:204'

Example:

DTM+132:201812131000:203'

No = Consecutive segment number
 MaxOcc = Maximum occurrence of the segment/group
 Counter = Counter of segment/group within the standard

St = Status
 EDIFACT: M=Mandatory, C=Conditional
 User specific: R=Required, O=Optional, D=Dependent,
 A=Advised, N=Not used



Counter	No	Tag	St	MaxOcc	Level	Name
	0530	SG10	C	10	2	LOC-DTM
	0540	LOC	M	1	2	Place/location identification

Standard			Implementation	
Tag	Name	St Format	St Format	Usage / Remark
LOC				
3227	Location function code qualifier	M an..3	M an..3	List of valid codes 5 Place of departure
C517	Location identification	C	C	
3225	Location identifier	C an..35	C an..35	
1131	Code list identification code	C an..17	N	
3055	Code list responsible agency code	C an..3	N	
3224	Location name	C an..256	C an..256	
C519	Related location one identification	C	N	
3223	First related location identifier	C an..35	N	
1131	Code list identification code	C an..17	N	
3055	Code list responsible agency code	C an..3	N	
3222	First related location name	C an..70	N	
C553	Related location two identification	C	N	
3233	Second related location identifier	C an..35	N	
1131	Code list identification code	C an..17	N	
3055	Code list responsible agency code	C an..3	N	
3232	Second related location name	C an..70	N	
5479	Relation code	C an..3	N	

Segment Remarks:

General Notes

Place of Departure

Message examples:

LOC+5+DKBLL::6'

Example:

LOC+5+DEFRA::Frankfurt am Main'

No = Consecutive segment number
 MaxOcc = Maximum occurrence of the segment/group
 Counter = Counter of segment/group within the standard

St = Status
 EDIFACT: M=Mandatory, C=Conditional
 User specific: R=Required, O=Optional, D=Dependent,
 A=Advised, N=Not used



Counter	No	Tag	St	MaxOcc	Level	Name
0530		SG10	C	10	2	LOC-DTM
0550	36	DTM	C	5	3	Date/time/period

Standard			Implementation	
Tag	Name	St Format	St Format	Usage / Remark
DTM				
C507	Date/time/period	M	M	
2005	Date or time or period function code qualifier	M an..3	M an..3	<p>List of valid codes</p> <p>136 Transport means departure date time, actual</p> <p>189 Transport means departure date/time, scheduled</p>
2380	Date or time or period text	C an..35	C an..35	
2379	Date or time or period format code	C an..3	C an..3	<p>List of valid codes</p> <p>203 CCYYMMDDHHMM</p>

Segment Remarks:

General Notes

Message examples:

DTM+136:202210071549:204'

DTM+189:202210051600:204'

Example:

DTM+136:201812131000:203'

No = Consecutive segment number
 MaxOcc = Maximum occurrence of the segment/group
 Counter = Counter of segment/group within the standard

St = Status
 EDIFACT: M=Mandatory, C=Conditional
 User specific: R=Required, O=Optional, D=Dependent,
 A=Advised, N=Not used



Counter	No	Tag	St	MaxOcc	Level	Name
0530		SG10	C	10	2	LOC-DTM
0540	37	LOC	M	1	2	Place/location identification

Standard			Implementation	
Tag	Name	St Format	St Format	Usage / Remark
LOC				
3227	Location function code qualifier	M an..3	M an..3	List of valid codes 11 Place of discharge
C517	Location identification	C	C	
3225	Location identifier	C an..35	C an..35	
1131	Code list identification code	C an..17	N	
3055	Code list responsible agency code	C an..3	N	
3224	Location name	C an..256	C an..256	
C519	Related location one identification	C	C	
3223	First related location identifier	C an..35	C an..35	
1131	Code list identification code	C an..17	N	
3055	Code list responsible agency code	C an..3	C an..3	
3222	First related location name	C an..70	N	
C553	Related location two identification	C	C	
3233	Second related location identifier	C an..35	C an..35	
1131	Code list identification code	C an..17	N	
3055	Code list responsible agency code	C an..3	N	
3232	Second related location name	C an..70	N	
5479	Relation code	C an..3	N	

Segment Remarks:

General Notes

Place of Unloading/Discharge

Message examples:

LOC+11+SGSIN:::SINGAPORE'

Example:

LOC+11+DEFRA:::Frankfurt am Main+X+X'

No = Consecutive segment number
 MaxOcc = Maximum occurrence of the segment/group
 Counter = Counter of segment/group within the standard

St = Status
 EDIFACT: M=Mandatory, C=Conditional
 User specific: R=Required, O=Optional, D=Dependent,
 A=Advised, N=Not used



Counter	No	Tag	St	MaxOcc	Level	Name
0530		SG10	C	10	2	LOC-DTM
0550	38	DTM	C	5	3	Date/time/period

Standard			Implementation	
Tag	Name	St Format	St Format	Usage / Remark
DTM				
C507	Date/time/period	M	M	
2005	Date or time or period function code qualifier	M an..3	M an..3	<p>List of valid codes</p> <p>232 Transport means arrival date/time, scheduled</p>
2380	Date or time or period text	C an..35	C an..35	
2379	Date or time or period format code	C an..3	C an..3	<p>List of valid codes</p> <p>203 CCYYMMDDHHMM</p>

Segment Remarks:

General Notes

Message examples:

DTM+232:202210071549:204'

Example:

DTM+232:201812131000:203'

No = Consecutive segment number
 MaxOcc = Maximum occurrence of the segment/group
 Counter = Counter of segment/group within the standard

St = Status
 EDIFACT: M=Mandatory, C=Conditional
 User specific: R=Required, O=Optional, D=Dependent,
 A=Advised, N=Not used



Counter	No	Tag	St	MaxOcc	Level	Name
0560		SG11	C	9999	2	RFF
0570	39	RFF	M	1	2	Reference

Standard			Implementation	
Tag	Name	St Format	St Format	Usage / Remark
RFF				
C506	Reference	M	M	
1153	Reference code qualifier	M an..3	M an..3	<p>List of valid codes</p> <p>AAZ Standard Carrier Alpha Code (SCAC) number AFB Cargo manifest number MB Master bill of lading number TF Transfer number TIN Transport instruction number VM Vessel identifier</p>
1154	Reference identifier	C an..70	C an..70	
1156	Document line identifier	C an..6	N	
1056	Version identifier	C an..9	N	
1060	Revision identifier	C an..6	N	

Segment Remarks:

General Notes

Message examples:

RFF+AAZ:123456789'

RFF+AFB:DSV-12345'

RFF+MB:310651'

RFF+TIN:DKHOR-12345'

Example:

RFF+MB:123456789'

No = Consecutive segment number
 MaxOcc = Maximum occurrence of the segment/group
 Counter = Counter of segment/group within the standard

St = Status
 EDIFACT: M=Mandatory, C=Conditional
 User specific: R=Required, O=Optional, D=Dependent,
 A=Advised, N=Not used



Counter	No	Tag	St	MaxOcc	Level	Name
0590		SG12	C	5	1	TOD-LOC
0600	40	TOD	M	1	1	Terms of delivery or transport

		Standard	Implementation	
Tag	Name	St Format	St Format	Usage / Remark
TOD				
4055	Delivery or transport terms function code	C an..3	C an..3	List of valid codes 6 Delivery condition
4215	Transport charges payment method code	C an..3	N	
C100	Terms of delivery or transport	C	C	
4053	Delivery or transport terms description code	C an..3	C an..3	
1131	Code list identification code	C an..17	C an..17	
3055	Code list responsible agency code	C an..3	N	
4052	Delivery or transport terms description	C an..70	N	
4052	Delivery or transport terms description	C an..70	N	

Segment Remarks:

General Notes

Message examples:

TOD+++EXW'

TOD+++022:ZCT'

Example:

TOD+6+++EXW: INCOTERMS'

No = Consecutive segment number
 MaxOcc = Maximum occurrence of the segment/group
 Counter = Counter of segment/group within the standard

St = Status
 EDIFACT: M=Mandatory, C=Conditional
 User specific: R=Required, O=Optional, D=Dependent,
 A=Advised, N=Not used



Counter	No	Tag	St	MaxOcc	Level	Name
	0590	SG12	C	5	1	TOD-LOC
	0610 41	LOC	C	2	2	Place/location identification

Standard			Implementation	
Tag	Name	St Format	St Format	Usage / Remark
LOC				
3227	Location function code qualifier	M an..3	M an..3	List of valid codes
				1 Place of terms of delivery
C517	Location identification	C	C	
3225	Location identifier	C an..35	N	
1131	Code list identification code	C an..17	N	
3055	Code list responsible agency code	C an..3	N	
3224	Location name	C an..256	C an..256	
C519	Related location one identification	C	N	
3223	First related location identifier	C an..35	N	
1131	Code list identification code	C an..17	N	
3055	Code list responsible agency code	C an..3	N	
3222	First related location name	C an..70	N	
C553	Related location two identification	C	N	
3233	Second related location identifier	C an..35	N	
1131	Code list identification code	C an..17	N	
3055	Code list responsible agency code	C an..3	N	
3232	Second related location name	C an..70	N	
5479	Relation code	C an..3	N	

Segment Remarks:

General Notes

Message examples:

LOC+1+DKHOR:6:Horsens'

Example:

LOC+1+:::Frankfurt am Main'

No = Consecutive segment number
 MaxOcc = Maximum occurrence of the segment/group
 Counter = Counter of segment/group within the standard

St = Status
 EDIFACT: M=Mandatory, C=Conditional
 User specific: R=Required, O=Optional, D=Dependent,
 A=Advised, N=Not used



Counter	No	Tag	St	MaxOcc	Level	Name
0620		SG13	C	99	1	EQD-SEL
0630	42	EQD	M	1	1	Equipment details

Standard			Implementation	
Tag	Name	St Format	St Format	Usage / Remark
EQD				
8053	Equipment type code qualifier	M an..3	M an..3	List of valid codes CN Container
C237	Equipment identification	C	C	
8260	Equipment identifier	C an..17	C an..17	
1131	Code list identification code	C an..17	N	
3055	Code list responsible agency code	C an..3	N	
3207	Country identifier	C an..3	N	
C224	Equipment size and type	C	C	
8155	Equipment size and type description code	C an..10	C an..10	
1131	Code list identification code	C an..17	N	
3055	Code list responsible agency code	C an..3	N	
8154	Equipment size and type description	C an..35	C an..35	
8077	Equipment supplier code	C an..3	N	
8249	Equipment status code	C an..3	N	
8169	Full or empty indicator code	C an..3	C an..3	List of valid codes 7 Full, mixed consignment 8 Full, single consignment
4233	Marking instructions code	C an..3	N	

Segment Remarks:

General Notes

Message examples:

EQD+CN++20GP'

EQD+CN+CAXU7290380+20GP'

EQD+CN+CAXU7290380+20GP:22G0:5'

Example:

EQD+CN+TCLU229803+40HC:::45GO+++8'

No = Consecutive segment number
 MaxOcc = Maximum occurrence of the segment/group
 Counter = Counter of segment/group within the standard

St = Status
 EDIFACT: M=Mandatory, C=Conditional
 User specific: R=Required, O=Optional, D=Dependent,
 A=Advised, N=Not used



Counter	No	Tag	St	MaxOcc	Level	Name
0620		SG13	C	99	1	EQD-SEL
0640	43	SEL	C	9	2	Seal number

Standard			Implementation	
Tag	Name	St Format	St Format	Usage / Remark
SEL				
9308	Transport unit seal identifier	C an..35	C an..35	
C215	Seal issuer	C	N	
9303	Sealing party name code	C an..3	N	
1131	Code list identification code	C an..17	N	
3055	Code list responsible agency code	C an..3	N	
9302	Sealing party name	C an..35	N	
4517	Seal condition code	C an..3	N	
C208	Identity number range	C	N	
7402	Object identifier	M an..35	N	
7402	Object identifier	C an..35	N	
4525	Seal type code	C an..3	N	

Segment Remarks:

General Notes

Message example:
SEL+Z12800+SH'

Example:

SEL+DSV123'

No = Consecutive segment number
MaxOcc = Maximum occurrence of the segment/group
Counter = Counter of segment/group within the standard

St = Status
EDIFACT: M=Mandatory, C=Conditional
User specific: R=Required, O=Optional, D=Dependent,
A=Advised, N=Not used



Counter No	Tag	St	MaxOcc	Level	Name
1160	SG27	C	9999999	1	LIN-IMD-MEA-DTM-EQD-FTX-SG28-SG31-SG32-SG34-SG35-SG36-SG40-SG46-SG48
1170 44	LIN	M	1	1	Line item

		Standard	Implementation	
Tag	Name	St Format	St Format	Usage / Remark
LIN				
1082	Line item identifier	C an..6	C an..6	
1229	Action code	C an..3	N	
C212	Item number identification	C	C	
7140	Item identifier	C an..35	C an..35	
7143	Item type identification code	C an..3	N	
1131	Code list identification code	C an..17	N	
3055	Code list responsible agency code	C an..3	N	
C829	Sub-line information	C	N	
5495	Sub-line indicator code	C an..3	N	
1082	Line item identifier	C an..6	N	
1222	Configuration level number	C n..2	N	
7083	Configuration operation code	C an..3	N	

Segment Remarks:

General Notes

Message examples:

LIN+1++BOG0-Z3362'

Example:

LIN+1++BOG03-Z3362'

No = Consecutive segment number
 MaxOcc = Maximum occurrence of the segment/group
 Counter = Counter of segment/group within the standard

St = Status
 EDIFACT: M=Mandatory, C=Conditional
 User specific: R=Required, O=Optional, D=Dependent,
 A=Advised, N=Not used



Counter	No	Tag	St	MaxOcc	Level	Name
1160		SG27	C	9999999	1	LIN-IMD-MEA-DTM-EQD-FTX-SG28-SG31-SG32-SG34-SG35-SG36-SG40-SG46-SG48
1200	45	IMD	C	99	2	Item description

Standard			Implementation	
Tag	Name	St Format	St Format	Usage / Remark
IMD				
7077	Description format code	C an..3	C an..3	List of valid codes X Semi-structured (code + text)
C272	Item characteristic	C	C	
7081	Item characteristic code	C an..3	C an..3	
1131	Code list identification code	C an..17	N	
3055	Code list responsible agency code	C an..3	N	
C273	Item description	C	C	
7009	Item description code	C an..17	C an..17	
1131	Code list identification code	C an..17	N	
3055	Code list responsible agency code	C an..3	N	
7008	Item description	C an..256	C an..256	
7008	Item description	C an..256	N	
3453	Language name code	C an..3	N	
7383	Surface or layer code	C an..3	N	

Segment Remarks:

General Notes

Message examples:
IMD+X+1+:::Freight'

Example:

IMD+X+1+:::Freight'

No = Consecutive segment number
MaxOcc = Maximum occurrence of the segment/group
Counter = Counter of segment/group within the standard

St = Status
EDIFACT: M=Mandatory, C=Conditional
User specific: R=Required, O=Optional, D=Dependent,
A=Advised, N=Not used



Counter	No	Tag	St	MaxOcc	Level	Name
1160		SG27	C	9999999	1	LIN-IMD-MEA-DTM-EQD-FTX-SG28-SG31-SG32-SG34-SG35-SG36-SG40-SG46-SG48
1210	46	MEA	C	5	2	Measurements

Standard			Implementation		
Tag	Name	St Format	St Format	Usage / Remark	
MEA					
6311	Measurement purpose code qualifier	M an..3	M an..3	List of valid codes WT Weights	
C502	Measurement details	C	C		
6313	Measured attribute code	C an..3	C an..3	List of valid codes AAD Consignment gross weight	
6321	Measurement significance code	C an..3	N		
6155	Non-discrete measurement name code	C an..17	N		
6154	Non-discrete measurement name	C an..70	N		
C174	Value/range	C	C		
6411	Measurement unit code	M an..8	M an..8	List of valid codes KGM kilogram	
6314	Measure	C an..18	C an..18		
6162	Range minimum quantity	C n..18	N		
6152	Range maximum quantity	C n..18	N		
6432	Significant digits quantity	C n..2	N		
7383	Surface or layer code	C an..3	N		

Segment Remarks:

General Notes

Consignment Gross weight

Message examples:

MEA+WT+AAD+KGM:259'

Example:

MEA+WT+AAD+KGM:100'

No = Consecutive segment number
 MaxOcc = Maximum occurrence of the segment/group
 Counter = Counter of segment/group within the standard

St = Status
 EDIFACT: M=Mandatory, C=Conditional
 User specific: R=Required, O=Optional, D=Dependent,
 A=Advised, N=Not used



Counter No	Tag	St	MaxOcc	Level	Name
1160	SG27	C	9999999	1	LIN-IMD-MEA-DTM-EQD-FTX-SG28-SG31-SG32-SG34-SG35-SG36-SG40-SG46-SG48
1210 47	MEA	C	5	2	Measurements

		Standard	Implementation	
Tag	Name	St Format	St Format	Usage / Remark
MEA				
6311	Measurement purpose code qualifier	M an..3	M an..3	List of valid codes WT Weights
C502	Measurement details	C	C	
6313	Measured attribute code	C an..3	C an..3	List of valid codes ACG Chargeable weight
6321	Measurement significance code	C an..3	N	
6155	Non-discrete measurement name code	C an..17	N	
6154	Non-discrete measurement name	C an..70	N	
C174	Value/range	C	C	
6411	Measurement unit code	M an..8	M an..8	List of valid codes KGM kilogram
6314	Measure	C an..18	C an..18	
6162	Range minimum quantity	C n..18	N	
6152	Range maximum quantity	C n..18	N	
6432	Significant digits quantity	C n..2	N	
7383	Surface or layer code	C an..3	N	

Segment Remarks:

General Notes

Chargeable weight

Message examples:

MEA+WT+ACG+KGM:240'

Example:

MEA+WT+ACG+KGM:100'

No = Consecutive segment number
 MaxOcc = Maximum occurrence of the segment/group
 Counter = Counter of segment/group within the standard

St = Status
 EDIFACT: M=Mandatory, C=Conditional
 User specific: R=Required, O=Optional, D=Dependent,
 A=Advised, N=Not used



Counter	No	Tag	St	MaxOcc	Level	Name	
	1160	SG27	C	9999999	1	LIN-IMD-MEA-DTM-EQD-FTX-SG28-SG31-SG32-SG34-SG35-SG36-SG40-SG46-SG48	
	1210	48	MEA	C	5	2	Measurements

Standard			Implementation	
Tag	Name	St Format	St Format	Usage / Remark
MEA				
6311	Measurement purpose code qualifier	M an..3	M an..3	List of valid codes VOL Volume
C502	Measurement details	C	N	
6313	Measured attribute code	C an..3	N	
6321	Measurement significance code	C an..3	N	
6155	Non-discrete measurement name code	C an..17	N	
6154	Non-discrete measurement name	C an..70	N	
C174	Value/range	C	C	
6411	Measurement unit code	M an..8	M an..8	List of valid codes MTQ cubic metre
6314	Measure	C an..18	C an..18	
6162	Range minimum quantity	C n..18	N	
6152	Range maximum quantity	C n..18	N	
6432	Significant digits quantity	C n..2	N	
7383	Surface or layer code	C an..3	N	

Segment Remarks:

General Notes

Volume

Message examples:

MEA+VOL++MTQ:12.096'

Example:

MEA+VOL++MTQ:23'

No = Consecutive segment number
 MaxOcc = Maximum occurrence of the segment/group
 Counter = Counter of segment/group within the standard

St = Status
 EDIFACT: M=Mandatory, C=Conditional
 User specific: R=Required, O=Optional, D=Dependent,
 A=Advised, N=Not used



Counter	No	Tag	St	MaxOcc	Level	Name	
	1160	SG27	C	9999999	1	LIN-IMD-MEA-DTM-EQD-FTX-SG28-SG31-SG32-SG34-SG35-SG36-SG40-SG46-SG48	
	1210	49	MEA	C	5	2	Measurements

Standard			Implementation	
Tag	Name	St Format	St Format	Usage / Remark
MEA				
6311	Measurement purpose code qualifier	M an..3	M an..3	List of valid codes LMT Loading meters
C502	Measurement details	C	N	
6313	Measured attribute code	C an..3	N	
6321	Measurement significance code	C an..3	N	
6155	Non-discrete measurement name code	C an..17	N	
6154	Non-discrete measurement name	C an..70	N	
C174	Value/range	C	C	
6411	Measurement unit code	M an..8	M an..8	List of valid codes MTR metre
6314	Measure	C an..18	C an..18	
6162	Range minimum quantity	C n..18	N	
6152	Range maximum quantity	C n..18	N	
6432	Significant digits quantity	C n..2	N	
7383	Surface or layer code	C an..3	N	

Segment Remarks:

General Notes

Loading meters

Message examples:

MEA+LMT++MTR:4.8'

Example:

MEA+LMT++MTR:2'

No = Consecutive segment number
 MaxOcc = Maximum occurrence of the segment/group
 Counter = Counter of segment/group within the standard

St = Status
 EDIFACT: M=Mandatory, C=Conditional
 User specific: R=Required, O=Optional, D=Dependent,
 A=Advised, N=Not used



Counter	No	Tag	St	MaxOcc	Level	Name
1160		SG27	C	9999999	1	LIN-IMD-MEA-DTM-EQD-FTX-SG28-SG31-SG32-SG34-SG35-SG36-SG40-SG46-SG48
1250	50	DTM	C	35	2	Date/time/period

Standard			Implementation	
Tag	Name	St Format	St Format	Usage / Remark
DTM				
C507	Date/time/period	M	M	
2005	Date or time or period function code qualifier	M an..3	M an..3	<p>List of valid codes</p> <p>2 Delivery date/time, requested</p> <p>10 Shipment date/time, requested</p> <p>17 Delivery date/time, estimated</p> <p>35 Delivery date/time, actual</p> <p>65 Delivery date/time, 1st schedule</p> <p>178 Transport means arrival date time, actual</p> <p>186 Transport means departure date/time, actual</p> <p>189 Transport means departure date/time, scheduled</p> <p>232 Transport means arrival date/time, scheduled</p> <p>234 Collection date/time, earliest</p> <p>235 Collection date/time, latest</p> <p>342 Consignment loading date time</p> <p>478 Start date or time, scheduled</p> <p>479 Completion date or time, scheduled</p> <p>200 Cargo pick-up date / time</p>
2380	Date or time or period text	C an..35	C an..35	
2379	Date or time or period format code	C an..3	C an..3	<p>List of valid codes</p> <p>203 CCYYMMDDHHMM</p>

Segment Remarks:

General Notes

Message examples:

- DTM+2:202209301500:203'
- DTM+10:202209301500:203'
- DTM+17:202209301500:203'
- DTM+35:202209301500:203'
- DTM+65:202209301500:203'
- DTM+178:202209301500:203'
- DTM+186:202209301500:203'

Example:

DTM+2:201804041000:203'

No = Consecutive segment number
 MaxOcc = Maximum occurrence of the segment/group
 Counter = Counter of segment/group within the standard

St = Status
 EDIFACT: M=Mandatory, C=Conditional
 User specific: R=Required, O=Optional, D=Dependent,
 A=Advised, N=Not used



Counter No	Tag	St	MaxOcc	Level	Name
1160	SG27	C	9999999	1	LIN-IMD-MEA-DTM-EQD-FTX-SG28-SG31-SG32-SG34-SG35-SG36-SG40-SG46-SG48
1290 51	EQD	C	1	2	Equipment details

		Standard	Implementation	
Tag	Name	St Format	St Format	Usage / Remark
EQD				
8053	Equipment type code qualifier	M an..3	M an..3	List of valid codes TE Trailer CN Container
C237	Equipment identification	C	C	
8260	Equipment identifier	C an..17	C an..17	
1131	Code list identification code	C an..17	N	
3055	Code list responsible agency code	C an..3	N	
3207	Country identifier	C an..3	N	
C224	Equipment size and type	C	C	
8155	Equipment size and type description code	C an..10	C an..10	List of valid codes 14 Trailer
1131	Code list identification code	C an..17	N	
3055	Code list responsible agency code	C an..3	C an..3	List of valid codes 5 ISO (International Organization for Standardization)
8154	Equipment size and type description	C an..35	C an..35	
8077	Equipment supplier code	C an..3	N	
8249	Equipment status code	C an..3	N	
8169	Full or empty indicator code	C an..3	C an..3	
4233	Marking instructions code	C an..3	N	

Segment Remarks:

General Notes

Message examples:

EQD+CN++20GP'

EQD+CN+CAXU7290380+20GP'

EQD+CN+CAXU7290380+20GP:22G0:5'

Example:

EQD+CN+TCLU8092315+40HC::5:LF40+++8'

No = Consecutive segment number
 MaxOcc = Maximum occurrence of the segment/group
 Counter = Counter of segment/group within the standard

St = Status
 EDIFACT: M=Mandatory, C=Conditional
 User specific: R=Required, O=Optional, D=Dependent,
 A=Advised, N=Not used



Counter	No	Tag	St	MaxOcc	Level	Name
1160		SG27	C	9999999	1	LIN-IMD-MEA-DTM-EQD-FTX-SG28-SG31-SG32-SG34-SG35-SG36-SG40-SG46-SG48
1300	52	FTX	C	99	2	Free text

		Standard	Implementation	
Tag	Name	St Format	St Format	Usage / Remark
FTX				
4451	Text subject code qualifier	M an..3	M an..3	
				List of valid codes
				AUY Service characteristic
				OSI Other service information
4453	Free text function code	C an..3	N	
C107	Text reference	C	N	
4441	Free text description code	M an..17	M N	
1131	Code list identification code	C an..17	N	
3055	Code list responsible agency code	C an..3	N	
C108	Text literal	C	C	
4440	Free text	M an..512	M an..512	
4440	Free text	C an..512	C an..512	
4440	Free text	C an..512	N	
4440	Free text	C an..512	N	
4440	Free text	C an..512	N	
3453	Language name code	C an..3	N	
4447	Free text format code	C an..3	N	

Segment Remarks:

Example:

FTX+AUY+++Service information:X'

No = Consecutive segment number
 MaxOcc = Maximum occurrence of the segment/group
 Counter = Counter of segment/group within the standard

St = Status
 EDIFACT: M=Mandatory, C=Conditional
 User specific: R=Required, O=Optional, D=Dependent,
 A=Advised, N=Not used



Counter	No	Tag	St	MaxOcc	Level	Name
1160		SG27	C	9999999	1	LIN-IMD-MEA-DTM-EQD-FTX-SG28-SG31-SG32-SG34-SG35-SG36-SG40-SG46-SG48
1300	53	FTX	C	99	2	Free text

Standard			Implementation	
Tag	Name	St Format	St Format	Usage / Remark
FTX				
4451	Text subject code qualifier	M an..3	M an..3	
				List of valid codes
				AAA Goods item description
4453	Free text function code	C an..3	N	
C107	Text reference	C	N	
4441	Free text description code	M an..17	M N	
1131	Code list identification code	C an..17	N	
3055	Code list responsible agency code	C an..3	N	
C108	Text literal	C	C	
4440	Free text	M an..512	M an..512	
4440	Free text	C an..512	C an..512	
4440	Free text	C an..512	C an..512	
4440	Free text	C an..512	C an..512	
4440	Free text	C an..512	C an..512	
3453	Language name code	C an..3	N	
4447	Free text format code	C an..3	N	

Segment Remarks:

General Notes

2023-11-16: New occurrence of FTX+AAA for GoodsDescription has been added. Only available for Single invoice.

Example:

FTX+AAA+++Goods description:X:X:X:X'

No = Consecutive segment number
 MaxOcc = Maximum occurrence of the segment/group
 Counter = Counter of segment/group within the standard

St = Status
 EDIFACT: M=Mandatory, C=Conditional
 User specific: R=Required, O=Optional, D=Dependent,
 A=Advised, N=Not used



Counter No	Tag	St	MaxOcc	Level	Name
1320	SG28	C	99	2	MOA
1330 54	MOA	M	1	2	Monetary amount

		Standard	Implementation	
Tag	Name	St Format	St Format	Usage / Remark
MOA				
C516	Monetary amount	M	M	
5025	Monetary amount type code qualifier	M an..3	M an..3	List of valid codes 203 Line item amount
5004	Monetary amount	C n..35	C n..35	
6345	Currency identification code	C an..3	C an..3	
6343	Currency type code qualifier	C an..3	C an..3	List of valid codes 4 Invoicing currency
4405	Status description code	C an..3	N	

Segment Remarks:

General Notes

Total Amounts of Line before ALC in invoicing currency

Message examples:

MOA+203:500:EUR:4'

Example:

MOA+203:9:EUR:4'

No = Consecutive segment number
 MaxOcc = Maximum occurrence of the segment/group
 Counter = Counter of segment/group within the standard

St = Status
 EDIFACT: M=Mandatory, C=Conditional
 User specific: R=Required, O=Optional, D=Dependent,
 A=Advised, N=Not used



Counter	No	Tag	St	MaxOcc	Level	Name
1460		SG31	C	10	2	RFF
1470	55	RFF	M	1	2	Reference

Standard			Implementation	
Tag	Name	St Format	St Format	Usage / Remark
RFF				
C506	Reference	M	M	
1153	Reference code qualifier	M an..3	M an..3	
				List of valid codes
				AAM Waybill number
				AAO Consignment identifier, consignee assigned
				AAS Transport contract document identifier
				AFB Cargo manifest number
				AGE Agent's reference
				AWH Category of work reference
				AWM Service category reference
				BH House bill of lading number
				CG Consignee's order number
				CR Customer reference number
				CRN Transport means journey identifier
				EXT Customers External Reference Number
				MB Master bill of lading number
				SRN Shipment reference number
				TIN Transport instruction number
				ZEX DSV Exchange Rate
				ZLA DSV Language Code
				ZUS DSV USD to EUR Exchange Rate
1154	Reference identifier	C an..70	C an..70	
1156	Document line identifier	C an..6	N	
1056	Version identifier	C an..9	N	
1060	Revision identifier	C an..6	N	

Segment Remarks:

General Notes

Message examples:

RFF+AAS:6982842384'

RFF+AAM:310651'

RFF+AFB:DSV-12345'

RFF+BH:DSV1234567'

RFF+CRN:321654'

RFF+MB:310651'

RFF+SRN:69828423841234567'

Example:

RFF+SRN:123456789'

No = Consecutive segment number
 MaxOcc = Maximum occurrence of the segment/group
 Counter = Counter of segment/group within the standard

St = Status
 EDIFACT: M=Mandatory, C=Conditional
 User specific: R=Required, O=Optional, D=Dependent,
 A=Advised, N=Not used



Counter	No	Tag	St	MaxOcc	Level	Name
1460		SG31	C	10	2	RFF
1470	56	RFF	M	1	2	Reference

Standard			Implementation	
Tag	Name	St Format	St Format	Usage / Remark
RFF				
C506	Reference	M	M	
1153	Reference code qualifier	M an..3	M an..3	List of valid codes CU Consignment identifier, consignor assigned ZCU DSV Order reference
1154	Reference identifier	C an..70	C an..70	
1156	Document line identifier	C an..6	N	
1056	Version identifier	C an..9	N	
1060	Revision identifier	C an..6	N	

Segment Remarks:

General Notes

Message examples:

RFF+CU:1234567'

Example:

RFF+CU:123456789'

No = Consecutive segment number
 MaxOcc = Maximum occurrence of the segment/group
 Counter = Counter of segment/group within the standard

St = Status
 EDIFACT: M=Mandatory, C=Conditional
 User specific: R=Required, O=Optional, D=Dependent,
 A=Advised, N=Not used



Counter	No	Tag	St	MaxOcc	Level	Name
1490		SG32	C	10	2	PAC-SG33
1500	57	PAC	M	1	2	Package

Standard			Implementation	
Tag	Name	St Format	St Format	Usage / Remark
PAC				
7224	Package quantity	C n..8	C n..8	
C531	Packaging details	C	N	
7075	Packaging level code	C an..3	N	
7233	Packaging related description code	C an..3	N	
7073	Packaging terms and conditions code	C an..3	N	
C202	Package type	C	C	
7065	Package type description code	C an..17	C an..17	
1131	Code list identification code	C an..17	N	
3055	Code list responsible agency code	C an..3	N	
7064	Type of packages	C an..35	N	
C402	Package type identification	C	N	
7077	Description format code	M an..3	N	
7064	Type of packages	M an..35	N	
7143	Item type identification code	C an..3	N	
7064	Type of packages	C an..35	N	
7143	Item type identification code	C an..3	N	
C532	Returnable package details	C	N	
8395	Returnable package freight payment responsibility code	C an..3	N	
8393	Returnable package load contents code	C an..3	N	

Segment Remarks:

General Notes

Message examples:

PAC+9+++PCE'

Example:

PAC+9+++PCE'

No = Consecutive segment number
 MaxOcc = Maximum occurrence of the segment/group
 Counter = Counter of segment/group within the standard

St = Status
 EDIFACT: M=Mandatory, C=Conditional
 User specific: R=Required, O=Optional, D=Dependent,
 A=Advised, N=Not used



Counter	No	Tag	St	MaxOcc	Level	Name
1530		SG33	C	10	3	PCI
1540	58	PCI	M	1	3	Package identification

Standard			Implementation	
Tag	Name	St Format	St Format	Usage / Remark
PCI				
4233	Marking instructions code	C an..3	C an..3	List of valid codes 24 Shipper assigned
C210	Marks & labels	C	C	
7102	Shipping marks description	M an..35	M an..35	
7102	Shipping marks description	C an..35	N	
7102	Shipping marks description	C an..35	N	
7102	Shipping marks description	C an..35	N	
7102	Shipping marks description	C an..35	N	
7102	Shipping marks description	C an..35	N	
7102	Shipping marks description	C an..35	N	
7102	Shipping marks description	C an..35	N	
7102	Shipping marks description	C an..35	N	
7102	Shipping marks description	C an..35	N	
8169	Full or empty indicator code	C an..3	N	
C827	Type of marking	C	N	
7511	Marking type code	M an..3	N	
1131	Code list identification code	C an..17	N	
3055	Code list responsible agency code	C an..3	N	

Segment Remarks:

General Notes

Message examples:

PCI+24+ref1:ref2:ref3:ref4:ref5:ref6:ref7:ref8:ref9:ref10'

PCI+24+ref1:ref2:ref3'

Example:

PCI+24+123456789'

No = Consecutive segment number
 MaxOcc = Maximum occurrence of the segment/group
 Counter = Counter of segment/group within the standard

St = Status
 EDIFACT: M=Mandatory, C=Conditional
 User specific: R=Required, O=Optional, D=Dependent,
 A=Advised, N=Not used



Counter	No	Tag	St	MaxOcc	Level	Name
1580		SG34	C	9999	2	LOC
1590	59	LOC	M	1	2	Place/location identification

Standard			Implementation	
Tag	Name	St Format	St Format	Usage / Remark
LOC				
3227	Location function code qualifier	M an..3	M an..3	List of valid codes 8 Place of destination
C517	Location identification	C	C	
3225	Location identifier	C an..35	C an..35	
1131	Code list identification code	C an..17	C an..17	
3055	Code list responsible agency code	C an..3	C an..3	List of valid codes 3 IATA (International Air Transport Association) 6 UN/ECE (United Nations - Economic Commission for Europe)
3224	Location name	C an..256	C an..256	
C519	Related location one identification	C	N	
3223	First related location identifier	C an..35	N	
1131	Code list identification code	C an..17	N	
3055	Code list responsible agency code	C an..3	N	
3222	First related location name	C an..70	N	
C553	Related location two identification	C	N	
3233	Second related location identifier	C an..35	N	
1131	Code list identification code	C an..17	N	
3055	Code list responsible agency code	C an..3	N	
3232	Second related location name	C an..70	N	
5479	Relation code	C an..3	N	

Segment Remarks:

General Notes

Place of Destination

Message examples:

LOC+8+USLAX::6'

LOC+8+LAX:145:3:LOS ANGELES'

Example:

LOC+8+FRMRS::6:MARSEILLE'

No = Consecutive segment number
 MaxOcc = Maximum occurrence of the segment/group
 Counter = Counter of segment/group within the standard

St = Status
 EDIFACT: M=Mandatory, C=Conditional
 User specific: R=Required, O=Optional, D=Dependent,
 A=Advised, N=Not used



Counter	No	Tag	St	MaxOcc	Level	Name
1580		SG34	C	9999	2	LOC
1590	60	LOC	M	1	2	Place/location identification

Standard			Implementation	
Tag	Name	St Format	St Format	Usage / Remark
LOC				
3227	Location function code qualifier	M an..3	M an..3	List of valid codes 5 Place of departure
C517	Location identification	C	C	
3225	Location identifier	C an..35	C an..35	
1131	Code list identification code	C an..17	C an..17	
3055	Code list responsible agency code	C an..3	C an..3	List of valid codes 3 IATA (International Air Transport Association) 6 UN/ECE (United Nations - Economic Commission for Europe)
3224	Location name	C an..256	C an..256	
C519	Related location one identification	C	N	
3223	First related location identifier	C an..35	N	
1131	Code list identification code	C an..17	N	
3055	Code list responsible agency code	C an..3	N	
3222	First related location name	C an..70	N	
C553	Related location two identification	C	N	
3233	Second related location identifier	C an..35	N	
1131	Code list identification code	C an..17	N	
3055	Code list responsible agency code	C an..3	N	
3232	Second related location name	C an..70	N	
5479	Relation code	C an..3	N	

Segment Remarks:

General Notes

Place of Departure

Message examples:

LOC+5+DKBLL::6'

Example:

LOC+5+DKCPH:::COPENHAGEN'

No = Consecutive segment number
 MaxOcc = Maximum occurrence of the segment/group
 Counter = Counter of segment/group within the standard

St = Status
 EDIFACT: M=Mandatory, C=Conditional
 User specific: R=Required, O=Optional, D=Dependent,
 A=Advised, N=Not used



Counter	No	Tag	St	MaxOcc	Level	Name
1580		SG34	C	9999	2	LOC
1590	61	LOC	M	1	2	Place/location identification

Standard			Implementation	
Tag	Name	St Format	St Format	Usage / Remark
LOC				
3227	Location function code qualifier	M an..3	M an..3	List of valid codes 9 Place of loading
C517	Location identification	C	C	
3225	Location identifier	C an..35	C an..35	
1131	Code list identification code	C an..17	C an..17	
3055	Code list responsible agency code	C an..3	C an..3	List of valid codes 3 IATA (International Air Transport Association) 6 UN/ECE (United Nations - Economic Commission for Europe)
3224	Location name	C an..256	C an..256	
C519	Related location one identification	C	C	
3223	First related location identifier	C an..35	C an..35	
1131	Code list identification code	C an..17	N	
3055	Code list responsible agency code	C an..3	C an..3	
3222	First related location name	C an..70	N	
C553	Related location two identification	C	C	
3233	Second related location identifier	C an..35	C an..35	
1131	Code list identification code	C an..17	N	
3055	Code list responsible agency code	C an..3	N	
3232	Second related location name	C an..70	N	
5479	Relation code	C an..3	N	

Segment Remarks:

General Notes

Place of Loading

Message examples:

LOC+9+KHKOS::6:SIHANOUKVILLE+KOS::3+40958::112'

Example:

LOC+9+DKHOR:::HORSENS+HOR:::3+40914'

No = Consecutive segment number
 MaxOcc = Maximum occurrence of the segment/group
 Counter = Counter of segment/group within the standard

St = Status
 EDIFACT: M=Mandatory, C=Conditional
 User specific: R=Required, O=Optional, D=Dependent,
 A=Advised, N=Not used



Counter	No	Tag	St	MaxOcc	Level	Name
1580		SG34	C	9999	2	LOC
1590	62	LOC	M	1	2	Place/location identification

Standard			Implementation	
Tag	Name	St Format	St Format	Usage / Remark
LOC				
3227	Location function code qualifier	M an..3	M an..3	List of valid codes 11 Place of discharge
C517	Location identification	C	C	
3225	Location identifier	C an..35	C an..35	
1131	Code list identification code	C an..17	C an..17	
3055	Code list responsible agency code	C an..3	C an..3	List of valid codes 3 IATA (International Air Transport Association) 6 UN/ECE (United Nations - Economic Commission for Europe)
3224	Location name	C an..256	C an..256	
C519	Related location one identification	C	C	
3223	First related location identifier	C an..35	C an..35	
1131	Code list identification code	C an..17	N	
3055	Code list responsible agency code	C an..3	C an..3	
3222	First related location name	C an..70	N	
C553	Related location two identification	C	C	
3233	Second related location identifier	C an..35	C an..35	
1131	Code list identification code	C an..17	N	
3055	Code list responsible agency code	C an..3	N	
3232	Second related location name	C an..70	N	
5479	Relation code	C an..3	N	

Segment Remarks:

General Notes

Place of Unloading/Discharge

Message examples:

LOC+11+SGSIN:::SINGAPORE'

Example:

LOC+11+FRMRS:::MARSEILLE+MRS:::3+42782'

No = Consecutive segment number
 MaxOcc = Maximum occurrence of the segment/group
 Counter = Counter of segment/group within the standard

St = Status
 EDIFACT: M=Mandatory, C=Conditional
 User specific: R=Required, O=Optional, D=Dependent,
 A=Advised, N=Not used



Counter	No	Tag	St	MaxOcc	Level	Name
	1620	SG35	C	99	2	TAX-MOA
	1630	TAX	M	1	2	Duty/tax/fee details

		Standard	Implementation	
Tag	Name	St Format	St Format	Usage / Remark
TAX				
5283	Duty or tax or fee function code qualifier	M an..3	M an..3	List of valid codes 7 Tax
C241	Duty/tax/fee type	C	C	
5153	Duty or tax or fee type name code	C an..3	C an..3	General Notes Maybe all taxes can be used by Air / Sea List of valid codes VAT Value added tax
1131	Code list identification code	C an..17	N	
3055	Code list responsible agency code	C an..3	N	
5152	Duty or tax or fee type name	C an..35	N	
C533	Duty/tax/fee account detail	C	N	
5289	Duty or tax or fee account code	M an..6	N	
1131	Code list identification code	C an..17	N	
3055	Code list responsible agency code	C an..3	N	
5286	Duty or tax or fee assessment basis quantity	C an..15	N	
C243	Duty/tax/fee detail	C	C	
5279	Duty or tax or fee rate code	C an..7	N	
1131	Code list identification code	C an..17	N	
3055	Code list responsible agency code	C an..3	N	
5278	Duty or tax or fee rate	C an..17	C an..17	
5273	Duty or tax or fee rate basis code	C an..12	N	
1131	Code list identification code	C an..17	N	
3055	Code list responsible agency code	C an..3	N	
5305	Duty or tax or fee category code	C an..3	C an..3	List of valid codes E Exempt from tax S Standard rate Z Zero rated goods
3446	Party tax identifier	C an..20	N	
1227	Calculation sequence code	C an..3	N	
5307	Tax or duty or fee payment due date code	C an..3	N	

No = Consecutive segment number
 MaxOcc = Maximum occurrence of the segment/group
 Counter = Counter of segment/group within the standard

St = Status
 EDIFACT: M=Mandatory, C=Conditional
 User specific: R=Required, O=Optional, D=Dependent,
 A=Advised, N=Not used



Segment Remarks:

General Notes

Message examples:

TAX+7+VAT+++:::25.00+S'

Example:

TAX+7+VAT+++:::25.00+S'

No = Consecutive segment number
MaxOcc = Maximum occurrence of the segment/group
Counter = Counter of segment/group within the standard

St = Status
EDIFACT: M=Mandatory, C=Conditional
User specific: R=Required, O=Optional, D=Dependent,
A=Advised, N=Not used



Counter No	Tag	St	MaxOcc	Level	Name
1620	SG35	C	99	2	TAX-MOA
1640 64	MOA	C	2	3	Monetary amount

		Standard	Implementation	
Tag	Name	St Format	St Format	Usage / Remark
MOA				
C516	Monetary amount	M	M	
5025	Monetary amount type code qualifier	M an..3	M an..3	List of valid codes 124 Tax amount
5004	Monetary amount	C n..35	C n..35	
6345	Currency identification code	C an..3	C an..3	
6343	Currency type code qualifier	C an..3	C an..3	List of valid codes 4 Invoicing currency
4405	Status description code	C an..3	N	

Segment Remarks:

General Notes

LineTaxAmount in invoicing currency

Message examples:

MOA+124:500:EUR:4'

Example:

MOA+124:99.99:EUR:4'

No = Consecutive segment number
 MaxOcc = Maximum occurrence of the segment/group
 Counter = Counter of segment/group within the standard

St = Status
 EDIFACT: M=Mandatory, C=Conditional
 User specific: R=Required, O=Optional, D=Dependent,
 A=Advised, N=Not used



Counter No	Tag	St	MaxOcc	Level	Name
1660	SG36	C	99	2	NAD
1670 65	NAD	M	1	2	Name and address

		Standard	Implementation	
Tag	Name	St Format	St Format	Usage / Remark
NAD				
3035	Party function code qualifier	M an..3	M an..3	List of valid codes CN Consignee CZ Consignor DP Delivery party PW Despatch party
C082	Party identification details	C	C	
3039	Party identifier	M an..35	M an..35	
1131	Code list identification code	C an..17	N	
3055	Code list responsible agency code	C an..3	N	
C058	Name and address	C	N	
3124	Name and address description	M an..35	N	
3124	Name and address description	C an..35	N	
3124	Name and address description	C an..35	N	
3124	Name and address description	C an..35	N	
3124	Name and address description	C an..35	N	
C080	Party name	C	C	
3036	Party name	M an..70	M an..70	
3036	Party name	C an..70	N	
3036	Party name	C an..70	N	
3036	Party name	C an..70	N	
3036	Party name	C an..70	N	
3045	Party name format code	C an..3	N	
C059	Street	C	C	
3042	Street and number or post office box identifier	M an..35	M an..35	
3042	Street and number or post office box identifier	C an..35	C an..35	
3042	Street and number or post office box identifier	C an..35	C an..35	
3042	Street and number or post office box identifier	C an..35	N	
3164	City name	C an..35	C an..35	
C819	Country subdivision details	C	N	
3229	Country subdivision identifier	C an..9	C an..9	
1131	Code list identification code	C an..17	N	
3055	Code list responsible agency code	C an..3	N	
3228	Country subdivision name	C an..70	N	
3251	Postal identification code	C an..17	C an..17	
3207	Country identifier	C an..3	C an..3	

Segment Remarks:

No = Consecutive segment number
 MaxOcc = Maximum occurrence of the segment/group
 Counter = Counter of segment/group within the standard

St = Status
 EDIFACT: M=Mandatory, C=Conditional
 User specific: R=Required, O=Optional, D=Dependent,
 A=Advised, N=Not used



General Notes

Message examples:

NAD+CN+123456789::91++Consignee+West street 10+CITY++134408+XX'

NAD+CZ+987654321::87++Consignor+East street 5+CITY++12345+XX'

NAD+DP+123456789::91++Delivery party+North street 4+CITY++134408+XX'

NAD+PW+987654321::87++Pickup party+South street 2+CITY++12345+XX'

Example:

NAD+CN+123456789++Consignor+North street:Warehouse 2+PARIS++8260+FR'

No = Consecutive segment number
MaxOcc = Maximum occurrence of the segment/group
Counter = Counter of segment/group within the standard

St = Status
EDIFACT: M=Mandatory, C=Conditional
User specific: R=Required, O=Optional, D=Dependent,
A=Advised, N=Not used



Counter	No	Tag	St	MaxOcc	Level	Name
1790		SG40	C	30	2	ALC-SG43-SG44-SG45
1800	66	ALC	M	1	2	Allowance or charge

Standard			Implementation	
Tag	Name	St Format	St Format	Usage / Remark
ALC				
5463	Allowance or charge code qualifier	M an..3	M an..3	List of valid codes A Allowance C Charge
C552	Allowance/charge information	C	C	
1230	Allowance or charge identifier	C an..35	C an..35	
5189	Allowance or charge identification code	C an..3	N	
4471	Settlement means code	C an..3	N	
1227	Calculation sequence code	C an..3	N	
C214	Special services identification	C	C	
7161	Special service description code	C an..3	C an..3	
1131	Code list identification code	C an..17	N	
3055	Code list responsible agency code	C an..3	N	
7160	Special service description	C an..35	C an..35	
7160	Special service description	C an..35	N	

Segment Remarks:

General Notes

Message examples:

ALC+A+0112:+++FRT:::Freight'

ALC+C+0112:+++FRT:::Freight'

Example:

ALC+A+0112+++FRT:::Freight'

No = Consecutive segment number
 MaxOcc = Maximum occurrence of the segment/group
 Counter = Counter of segment/group within the standard

St = Status
 EDIFACT: M=Mandatory, C=Conditional
 User specific: R=Required, O=Optional, D=Dependent,
 A=Advised, N=Not used



Counter	No	Tag	St	MaxOcc	Level	Name
1900		SG43	C	2	3	MOA-CUX
1910	67	MOA	M	1	3	Monetary amount

Standard			Implementation	
Tag	Name	St Format	St Format	Usage / Remark
MOA				
C516	Monetary amount	M	M	
5025	Monetary amount type code qualifier	M an..3	M an..3	List of valid codes 8 Allowance or charge amount
5004	Monetary amount	C n..35	C n..35	
6345	Currency identification code	C an..3	C an..3	
6343	Currency type code qualifier	C an..3	C an..3	List of valid codes 4 Invoicing currency
4405	Status description code	C an..3	N	

Segment Remarks:

General Notes

Amount excl tax in invoicing currency.

Message examples:

MOA+8:500:EUR:4'

Example:

MOA+8:1000:EUR:4'

No = Consecutive segment number
 MaxOcc = Maximum occurrence of the segment/group
 Counter = Counter of segment/group within the standard

St = Status
 EDIFACT: M=Mandatory, C=Conditional
 User specific: R=Required, O=Optional, D=Dependent,
 A=Advised, N=Not used



Counter No	Tag	St	MaxOcc	Level	Name
1900	SG43	C	2	3	MOA-CUX
1930 68	CUX	C	1	4	Currencies

		Standard	Implementation	
Tag	Name	St Format	St Format	Usage / Remark
CUX				
C504	Currency details	C	C	
6347	Currency usage code qualifier	M an..3	M an..3	List of valid codes 2 Reference currency
6345	Currency identification code	C an..3	C an..3	
6343	Currency type code qualifier	C an..3	C an..3	List of valid codes 4 Invoicing currency
6348	Currency rate	C n..4	N	
C504	Currency details	C	C	
6347	Currency usage code qualifier	M an..3	M an..3	List of valid codes 3 Target currency
6345	Currency identification code	C an..3	C an..3	
6343	Currency type code qualifier	C an..3	C an..3	List of valid codes 3 Home currency
6348	Currency rate	C n..4	N	
5402	Currency exchange rate	C n..12	C n..12	
6341	Exchange rate currency market identifier	C an..3	N	

Segment Remarks:

General Notes

Message examples:

CUX+2:DKK:10+3:EUR:11+0.75'

Example:

CUX+2:EUR:4+3:SEK:3+0.80'

No = Consecutive segment number
 MaxOcc = Maximum occurrence of the segment/group
 Counter = Counter of segment/group within the standard

St = Status
 EDIFACT: M=Mandatory, C=Conditional
 User specific: R=Required, O=Optional, D=Dependent,
 A=Advised, N=Not used



Counter No	Tag	St	MaxOcc	Level	Name
1900	SG43	C	2	3	MOA
1910 69	MOA	M	1	3	Monetary amount

		Standard	Implementation	
Tag	Name	St Format	St Format	Usage / Remark
MOA				
C516	Monetary amount	M	M	
5025	Monetary amount type code qualifier	M an..3	M an..3	<p>List of valid codes</p> <p>27 Charges in destination currency</p>
5004	Monetary amount	C n..35	C n..35	
6345	Currency identification code	C an..3	C an..3	
6343	Currency type code qualifier	C an..3	C an..3	<p>List of valid codes</p> <p>3 Home currency</p>
4405	Status description code	C an..3	N	

Segment Remarks:

General Notes

Local amount excl tax in home currency.

Message examples:

MOA+27:500:EUR:4'

Example:

MOA+27:1000:EUR:3'

No = Consecutive segment number
 MaxOcc = Maximum occurrence of the segment/group
 Counter = Counter of segment/group within the standard

St = Status
 EDIFACT: M=Mandatory, C=Conditional
 User specific: R=Required, O=Optional, D=Dependent,
 A=Advised, N=Not used



Counter	No	Tag	St	MaxOcc	Level	Name
1950		SG44	C	1	3	RTE
1960	70	RTE	M	1	3	Rate details

		Standard	Implementation	
Tag	Name	St Format	St Format	Usage / Remark
RTE				
C128	Rate details	M	M	
5419	Rate type code qualifier	M an..3	M an..3	
				List of valid codes
				ZSX SystemExchangeRate (DSV defined code)
5420	Unit price basis rate	M n..15	M n..15	
5284	Unit price basis quantity	C n..9	N	
6411	Measurement unit code	C an..8	N	
4405	Status description code	C an..3	N	

Segment Remarks:

General Notes

SystemExchange rate

Message examples:

RTE+ZSX:0.8'

Example:

RTE+ZSX:0.8'

No = Consecutive segment number
 MaxOcc = Maximum occurrence of the segment/group
 Counter = Counter of segment/group within the standard

St = Status
 EDIFACT: M=Mandatory, C=Conditional
 User specific: R=Required, O=Optional, D=Dependent,
 A=Advised, N=Not used



Counter	No	Tag	St	MaxOcc	Level	Name
1980		SG45	C	5	3	TAX-MOA
1990	71	TAX	M	1	3	Duty/tax/fee details

Standard			Implementation	
Tag	Name	St Format	St Format	Usage / Remark
TAX				
5283	Duty or tax or fee function code qualifier	M an..3	M an..3	List of valid codes 7 Tax 9 Tax related information
C241	Duty/tax/fee type	C	C	
5153	Duty or tax or fee type name code	C an..3	C an..3	List of valid codes VAT Value added tax
1131	Code list identification code	C an..17	N	
3055	Code list responsible agency code	C an..3	N	
5152	Duty or tax or fee type name	C an..35	C an..35	
C533	Duty/tax/fee account detail	C	N	
5289	Duty or tax or fee account code	M an..6	N	
1131	Code list identification code	C an..17	N	
3055	Code list responsible agency code	C an..3	N	
5286	Duty or tax or fee assessment basis quantity	C an..15	C an..15	
C243	Duty/tax/fee detail	C	C	
5279	Duty or tax or fee rate code	C an..7	C an..7	
1131	Code list identification code	C an..17	N	
3055	Code list responsible agency code	C an..3	N	
5278	Duty or tax or fee rate	C an..17	C an..17	
5273	Duty or tax or fee rate basis code	C an..12	N	
1131	Code list identification code	C an..17	N	
3055	Code list responsible agency code	C an..3	N	
5305	Duty or tax or fee category code	C an..3	C an..3	List of valid codes S Standard rate Z Zero rated goods
3446	Party tax identifier	C an..20	N	
1227	Calculation sequence code	C an..3	N	
5307	Tax or duty or fee payment due date code	C an..3	N	

Segment Remarks:

No = Consecutive segment number
 MaxOcc = Maximum occurrence of the segment/group
 Counter = Counter of segment/group within the standard

St = Status
 EDIFACT: M=Mandatory, C=Conditional
 User specific: R=Required, O=Optional, D=Dependent,
 A=Advised, N=Not used



General Notes

Message examples:
TAX+7+VAT+++:::25.00+S'

Example:

TAX+7+VAT:::250++DICH.INT+X:::25+S'

No = Consecutive segment number
MaxOcc = Maximum occurrence of the segment/group
Counter = Counter of segment/group within the standard

St = Status
EDIFACT: M=Mandatory, C=Conditional
User specific: R=Required, O=Optional, D=Dependent,
A=Advised, N=Not used



Counter	No	Tag	St	MaxOcc	Level	Name
1980		SG45	C	5	3	TAX-MOA
2000	72	MOA	C	2	4	Monetary amount

Standard			Implementation	
Tag	Name	St Format	St Format	Usage / Remark
MOA				
C516	Monetary amount	M	M	
5025	Monetary amount type code qualifier	M an..3	M an..3	
				List of valid codes
				124 Tax amount
5004	Monetary amount	C n..35	C n..35	
6345	Currency identification code	C an..3	C an..3	
6343	Currency type code qualifier	C an..3	C an..3	
				List of valid codes
				4 Invoicing currency
4405	Status description code	C an..3	N	

Segment Remarks:

General Notes

TaxAmount in invoicing currency.

Message examples:

MOA+124:500:EUR:4'

Example:

MOA+124:250:EUR:4'

No = Consecutive segment number
 MaxOcc = Maximum occurrence of the segment/group
 Counter = Counter of segment/group within the standard

St = Status
 EDIFACT: M=Mandatory, C=Conditional
 User specific: R=Required, O=Optional, D=Dependent,
 A=Advised, N=Not used



Counter No	Tag	St	MaxOcc	Level	Name
1980	SG45	C	5	3	TAX-MOA
2000 73	MOA	C	2	4	Monetary amount

		Standard	Implementation	
Tag	Name	St Format	St Format	Usage / Remark
MOA				
C516	Monetary amount	M	M	
5025	Monetary amount type code qualifier	M an..3	M an..3	List of valid codes 124 Tax amount
5004	Monetary amount	C n..35	C n..35	
6345	Currency identification code	C an..3	C an..3	
6343	Currency type code qualifier	C an..3	C an..3	List of valid codes 3 Home currency
4405	Status description code	C an..3	N	

Segment Remarks:

General Notes

TaxAmount in home currency.

Message examples:

MOA+124:500:EUR:3'

Example:

MOA+124:250:EUR:3'

No = Consecutive segment number
 MaxOcc = Maximum occurrence of the segment/group
 Counter = Counter of segment/group within the standard

St = Status
 EDIFACT: M=Mandatory, C=Conditional
 User specific: R=Required, O=Optional, D=Dependent,
 A=Advised, N=Not used



Counter	No	Tag	St	MaxOcc	Level	Name
2010		SG46	C	10	2	TDT-SG47
2020	74	TDT	M	1	2	Transport information

		Standard	Implementation	
Tag	Name	St Format	St Format	Usage / Remark
TDT				
8051	Transport stage code qualifier	M an..3	M an..3	List of valid codes 20 Main-carriage transport
8028	Means of transport journey identifier	C an..17	C an..17	
C220	Mode of transport	C	C	
8067	Transport mode name code	C an..3	C an..3	List of valid codes 1 Maritime transport 3 Road transport 4 Air transport
8066	Transport mode name	C an..17	N	
C001	Transport means	C	C	
8179	Transport means description code	C an..8	N	
1131	Code list identification code	C an..17	N	
3055	Code list responsible agency code	C an..3	N	
8178	Transport means description	C an..17	C an..17	
C040	Carrier	C	C	
3127	Carrier identifier	C an..17	C an..17	
1131	Code list identification code	C an..17	N	
3055	Code list responsible agency code	C an..3	N	
3126	Carrier name	C an..35	C an..35	
8101	Transit direction indicator code	C an..3	N	
C401	Excess transportation information	C	N	
8457	Excess transportation reason code	M an..3	N	
8459	Excess transportation responsibility code	M an..3	N	
7130	Customer shipment authorisation identifier	C an..17	N	
C222	Transport identification	C	C	
8213	Transport means identification name identifier	C an..35	N	
1131	Code list identification code	C an..17	N	
3055	Code list responsible agency code	C an..3	N	
8212	Transport means identification name	C an..70	C an..70	

No = Consecutive segment number
 MaxOcc = Maximum occurrence of the segment/group
 Counter = Counter of segment/group within the standard

St = Status
 EDIFACT: M=Mandatory, C=Conditional
 User specific: R=Required, O=Optional, D=Dependent,
 A=Advised, N=Not used



		Standard	Implementation	
Tag	Name	St Format	St Format	Usage / Remark
8453	Transport means nationality code	C an..3	N	
8281	Transport means ownership indicator code	C an..3	N	

Segment Remarks:

General Notes

Message examples:

TDT+20+Sea+1+:::LH320+:::Shipping line+++:::Vessel:US'

TDT+20+++3'

TDT+20+Air+4+:::014W+:::Airline'

Example:

TDT+20+Air+4+:::LH320+LFH:::LUFTHANSA+++:::LUFTHANSA'

No = Consecutive segment number
 MaxOcc = Maximum occurrence of the segment/group
 Counter = Counter of segment/group within the standard

St = Status
 EDIFACT: M=Mandatory, C=Conditional
 User specific: R=Required, O=Optional, D=Dependent,
 A=Advised, N=Not used



Counter	No	Tag	St	MaxOcc	Level	Name
2030		SG47	C	10	3	LOC
2040	75	LOC	M	1	3	Place/location identification

Standard			Implementation	
Tag	Name	St Format	St Format	Usage / Remark
LOC				
3227	Location function code qualifier	M an..3	M an..3	List of valid codes 8 Place of destination
C517	Location identification	C	C	
3225	Location identifier	C an..35	C an..35	
1131	Code list identification code	C an..17	C an..17	
3055	Code list responsible agency code	C an..3	C an..3	List of valid codes 3 IATA (International Air Transport Association) 6 UN/ECE (United Nations - Economic Commission for Europe)
3224	Location name	C an..256	C an..256	
C519	Related location one identification	C	N	
3223	First related location identifier	C an..35	N	
1131	Code list identification code	C an..17	N	
3055	Code list responsible agency code	C an..3	N	
3222	First related location name	C an..70	N	
C553	Related location two identification	C	N	
3233	Second related location identifier	C an..35	N	
1131	Code list identification code	C an..17	N	
3055	Code list responsible agency code	C an..3	N	
3232	Second related location name	C an..70	N	
5479	Relation code	C an..3	N	

Segment Remarks:

General Notes

Place of Destination

Message examples:

LOC+8+USLAX::6'

LOC+8+LAX:145:3:LOS ANGELES'

Example:

LOC+8+FRMRS::6:MARSEILLE'

No = Consecutive segment number
 MaxOcc = Maximum occurrence of the segment/group
 Counter = Counter of segment/group within the standard

St = Status
 EDIFACT: M=Mandatory, C=Conditional
 User specific: R=Required, O=Optional, D=Dependent,
 A=Advised, N=Not used



Counter	No	Tag	St	MaxOcc	Level	Name
	2030	SG47	C	10	3	LOC
	2040	LOC	M	1	3	Place/location identification

Standard			Implementation	
Tag	Name	St Format	St Format	Usage / Remark
LOC				
3227	Location function code qualifier	M an..3	M an..3	List of valid codes 9 Place of loading
C517	Location identification	C	C	
3225	Location identifier	C an..35	C an..35	
1131	Code list identification code	C an..17	C an..17	
3055	Code list responsible agency code	C an..3	C an..3	List of valid codes 3 IATA (International Air Transport Association) 6 UN/ECE (United Nations - Economic Commission for Europe)
3224	Location name	C an..256	C an..256	
C519	Related location one identification	C	N	
3223	First related location identifier	C an..35	N	
1131	Code list identification code	C an..17	N	
3055	Code list responsible agency code	C an..3	N	
3222	First related location name	C an..70	N	
C553	Related location two identification	C	N	
3233	Second related location identifier	C an..35	N	
1131	Code list identification code	C an..17	N	
3055	Code list responsible agency code	C an..3	N	
3232	Second related location name	C an..70	N	
5479	Relation code	C an..3	N	

Segment Remarks:

General Notes

Place of Loading

Message examples:

LOC+9+KHKOS::6:SIHANOUKVILLE+KOS::3+40958::112'

Example:

LOC+9+DKCPH:::COPENHAGEN'

No = Consecutive segment number
 MaxOcc = Maximum occurrence of the segment/group
 Counter = Counter of segment/group within the standard

St = Status
 EDIFACT: M=Mandatory, C=Conditional
 User specific: R=Required, O=Optional, D=Dependent,
 A=Advised, N=Not used



Counter	No	Tag	St	MaxOcc	Level	Name
2030		SG47	C	10	3	LOC
2040	77	LOC	M	1	3	Place/location identification

Standard			Implementation	
Tag	Name	St Format	St Format	Usage / Remark
LOC				
3227	Location function code qualifier	M an..3	M an..3	List of valid codes 5 Place of departure
C517	Location identification	C	C	
3225	Location identifier	C an..35	C an..35	
1131	Code list identification code	C an..17	C an..17	
3055	Code list responsible agency code	C an..3	C an..3	List of valid codes 3 IATA (International Air Transport Association) 6 UN/ECE (United Nations - Economic Commission for Europe)
3224	Location name	C an..256	C an..256	
C519	Related location one identification	C	N	
3223	First related location identifier	C an..35	N	
1131	Code list identification code	C an..17	N	
3055	Code list responsible agency code	C an..3	N	
3222	First related location name	C an..70	N	
C553	Related location two identification	C	N	
3233	Second related location identifier	C an..35	N	
1131	Code list identification code	C an..17	N	
3055	Code list responsible agency code	C an..3	N	
3232	Second related location name	C an..70	N	
5479	Relation code	C an..3	N	

Segment Remarks:

General Notes

Place of Departure

Message examples:

LOC+5+DKBLL::'6'
LOC+5+DKCPH::COPENHAGEN'

Example:

LOC+5+DKCPH:::COPENHAGEN'

No = Consecutive segment number
MaxOcc = Maximum occurrence of the segment/group
Counter = Counter of segment/group within the standard

St = Status
EDIFACT: M=Mandatory, C=Conditional
User specific: R=Required, O=Optional, D=Dependent,
A=Advised, N=Not used



Counter	No	Tag	St	MaxOcc	Level	Name
2030		SG47	C	10	3	LOC
2040	78	LOC	M	1	3	Place/location identification

Standard			Implementation	
Tag	Name	St Format	St Format	Usage / Remark
LOC				
3227	Location function code qualifier	M an..3	M an..3	List of valid codes 11 Place of discharge
C517	Location identification	C	C	
3225	Location identifier	C an..35	C an..35	
1131	Code list identification code	C an..17	C an..17	
3055	Code list responsible agency code	C an..3	C an..3	List of valid codes 3 IATA (International Air Transport Association) 6 UN/ECE (United Nations - Economic Commission for Europe)
3224	Location name	C an..256	C an..256	
C519	Related location one identification	C	C	
3223	First related location identifier	C an..35	C an..35	
1131	Code list identification code	C an..17	N	
3055	Code list responsible agency code	C an..3	C an..3	
3222	First related location name	C an..70	N	
C553	Related location two identification	C	C	
3233	Second related location identifier	C an..35	C an..35	
1131	Code list identification code	C an..17	N	
3055	Code list responsible agency code	C an..3	N	
3232	Second related location name	C an..70	N	
5479	Relation code	C an..3	N	

Segment Remarks:

General Notes

Place of Unloading/Discharge

Message examples:

LOC+11+SGSIN:::SINGAPORE'

Example:

LOC+11+FRMRS:::MARSEILLE+MRS:::3+42782'

No = Consecutive segment number
 MaxOcc = Maximum occurrence of the segment/group
 Counter = Counter of segment/group within the standard

St = Status
 EDIFACT: M=Mandatory, C=Conditional
 User specific: R=Required, O=Optional, D=Dependent,
 A=Advised, N=Not used



Counter	No	Tag	St	MaxOcc	Level	Name
2060		SG48	C	5	2	TOD-LOC
2070	79	TOD	M	1	2	Terms of delivery or transport

		Standard	Implementation	
Tag	Name	St Format	St Format	Usage / Remark
TOD				
4055	Delivery or transport terms function code	C an..3	C an..3	List of valid codes 6 Delivery condition
4215	Transport charges payment method code	C an..3	C an..3	
C100	Terms of delivery or transport	C	C	
4053	Delivery or transport terms description code	C an..3	C an..3	
1131	Code list identification code	C an..17	C an..17	
3055	Code list responsible agency code	C an..3	N	
4052	Delivery or transport terms description	C an..70	N	
4052	Delivery or transport terms description	C an..70	N	

Segment Remarks:

General Notes

Message examples:

TOD+++EXW'

TOD+++022:ZCT'

Example:

TOD+6+++EXW: INCOTERMS'

No = Consecutive segment number
 MaxOcc = Maximum occurrence of the segment/group
 Counter = Counter of segment/group within the standard

St = Status
 EDIFACT: M=Mandatory, C=Conditional
 User specific: R=Required, O=Optional, D=Dependent,
 A=Advised, N=Not used



Counter	No	Tag	St	MaxOcc	Level	Name
2060		SG48	C	5	2	TOD-LOC
2080	80	LOC	C	2	3	Place/location identification

Standard			Implementation	
Tag	Name	St Format	St Format	Usage / Remark
LOC				
3227	Location function code qualifier	M an..3	M an..3	List of valid codes 1 Place of terms of delivery
C517	Location identification	C	C	
3225	Location identifier	C an..35	N	
1131	Code list identification code	C an..17	N	
3055	Code list responsible agency code	C an..3	N	
3224	Location name	C an..256	C an..256	
C519	Related location one identification	C	N	
3223	First related location identifier	C an..35	N	
1131	Code list identification code	C an..17	N	
3055	Code list responsible agency code	C an..3	N	
3222	First related location name	C an..70	N	
C553	Related location two identification	C	N	
3233	Second related location identifier	C an..35	N	
1131	Code list identification code	C an..17	N	
3055	Code list responsible agency code	C an..3	N	
3232	Second related location name	C an..70	N	
5479	Relation code	C an..3	N	

Segment Remarks:

General Notes

Message examples:

LOC+1+DKHOR:6:Horsens'

Example:

LOC+1+:::Frankfurt am Main'

No = Consecutive segment number
 MaxOcc = Maximum occurrence of the segment/group
 Counter = Counter of segment/group within the standard

St = Status
 EDIFACT: M=Mandatory, C=Conditional
 User specific: R=Required, O=Optional, D=Dependent,
 A=Advised, N=Not used



Counter	No	Tag	St	MaxOcc	Level	Name
---------	----	-----	----	--------	-------	------

2320	81	UNS	M	1	0	Section control
------	----	------------	---	---	---	-----------------

		Standard	Implementation	
Tag	Name	St Format	St Format	Usage / Remark
UNS				
0081	Section identification	M a1	M a1	

Segment Remarks:

General Notes

Message examples:

UNS+S'

Example:

UNS+S'

No = Consecutive segment number
 MaxOcc = Maximum occurrence of the segment/group
 Counter = Counter of segment/group within the standard

St = Status
 EDIFACT: M=Mandatory, C=Conditional
 User specific: R=Required, O=Optional, D=Dependent,
 A=Advised, N=Not used



Counter No	Tag	St	MaxOcc	Level	Name
2340	SG52	M	100	1	MOA
2350 82	MOA	M	1	1	Monetary amount

		Standard	Implementation	
Tag	Name	St Format	St Format	Usage / Remark
MOA				
C516	Monetary amount	M	M	
5025	Monetary amount type code qualifier	M an..3	M an..3	
				List of valid codes
				128 Total amount
5004	Monetary amount	C n..35	C n..35	
6345	Currency identification code	C an..3	C an..3	
6343	Currency type code qualifier	C an..3	C an..3	
				List of valid codes
				4 Invoicing currency
4405	Status description code	C an..3	N	

Segment Remarks:

General Notes

Total amount incl tax in invoicing currency.

Message examples:

MOA+128:500:EUR:4'

Example:

MOA+128:2000:EUR:4'

No = Consecutive segment number
 MaxOcc = Maximum occurrence of the segment/group
 Counter = Counter of segment/group within the standard

St = Status
 EDIFACT: M=Mandatory, C=Conditional
 User specific: R=Required, O=Optional, D=Dependent,
 A=Advised, N=Not used



Counter No	Tag	St	MaxOcc	Level	Name
2340	SG52	M	100	1	MOA
2350 83	MOA	M	1	1	Monetary amount

		Standard	Implementation	
Tag	Name	St Format	St Format	Usage / Remark
MOA				
C516	Monetary amount	M	M	
5025	Monetary amount type code qualifier	M an..3	M an..3	
				List of valid codes
				128 Total amount
5004	Monetary amount	C n..35	C n..35	
6345	Currency identification code	C an..3	C an..3	
6343	Currency type code qualifier	C an..3	C an..3	
				List of valid codes
				3 Home currency
4405	Status description code	C an..3	N	

Segment Remarks:

General Notes

Total amount incl tax in home currency.

Message examples:

MOA+124:500:EUR:3'

Example:

MOA+128:2000:EUR:3'

No = Consecutive segment number
 MaxOcc = Maximum occurrence of the segment/group
 Counter = Counter of segment/group within the standard

St = Status
 EDIFACT: M=Mandatory, C=Conditional
 User specific: R=Required, O=Optional, D=Dependent,
 A=Advised, N=Not used



Counter	No	Tag	St	MaxOcc	Level	Name
2340		SG52	M	100	1	MOA
2350	84	MOA	M	1	1	Monetary amount

Standard			Implementation	
Tag	Name	St Format	St Format	Usage / Remark
MOA				
C516	Monetary amount	M	M	
5025	Monetary amount type code qualifier	M an..3	M an..3	List of valid codes 125 Taxable amount
5004	Monetary amount	C n..35	C n..35	
6345	Currency identification code	C an..3	C an..3	
6343	Currency type code qualifier	C an..3	C an..3	List of valid codes 4 Invoicing currency
4405	Status description code	C an..3	N	

Segment Remarks:

General Notes

Total amount excl tax in invoicing currency.

Message examples:

MOA+125:500:EUR:4'

Example:

MOA+125:1250:EUR:4'

No = Consecutive segment number
 MaxOcc = Maximum occurrence of the segment/group
 Counter = Counter of segment/group within the standard

St = Status
 EDIFACT: M=Mandatory, C=Conditional
 User specific: R=Required, O=Optional, D=Dependent,
 A=Advised, N=Not used



Counter	No	Tag	St	MaxOcc	Level	Name
2340		SG52	M	100	1	MOA
2350	85	MOA	M	1	1	Monetary amount

Standard			Implementation	
Tag	Name	St Format	St Format	Usage / Remark
MOA				
C516	Monetary amount	M	M	
5025	Monetary amount type code qualifier	M an..3	M an..3	List of valid codes 125 Taxable amount
5004	Monetary amount	C n..35	C n..35	
6345	Currency identification code	C an..3	C an..3	
6343	Currency type code qualifier	C an..3	C an..3	List of valid codes 3 Home currency
4405	Status description code	C an..3	N	

Segment Remarks:

General Notes

Total amount excl tax in home currency.

Message examples:

MOA+125:500:EUR:3'

Example:

MOA+125:1250:EUR:3'

No = Consecutive segment number
 MaxOcc = Maximum occurrence of the segment/group
 Counter = Counter of segment/group within the standard

St = Status
 EDIFACT: M=Mandatory, C=Conditional
 User specific: R=Required, O=Optional, D=Dependent,
 A=Advised, N=Not used



Counter	No	Tag	St	MaxOcc	Level	Name
2340		SG52	M	100	1	MOA
2350	86	MOA	M	1	1	Monetary amount

Standard			Implementation	
Tag	Name	St Format	St Format	Usage / Remark
MOA				
C516	Monetary amount	M	M	
5025	Monetary amount type code qualifier	M an..3	M an..3	
				List of valid codes
				176 Message total duty/tax/fee amount
5004	Monetary amount	C n..35	C n..35	
6345	Currency identification code	C an..3	C an..3	
6343	Currency type code qualifier	C an..3	C an..3	
				List of valid codes
				4 Invoicing currency
4405	Status description code	C an..3	N	

Segment Remarks:

General Notes

Total tax amount in invoicing currency.

Message examples:

MOA+176:500:EUR:4'

Example:

MOA+176:5000:EUR:4'

No = Consecutive segment number
 MaxOcc = Maximum occurrence of the segment/group
 Counter = Counter of segment/group within the standard

St = Status
 EDIFACT: M=Mandatory, C=Conditional
 User specific: R=Required, O=Optional, D=Dependent,
 A=Advised, N=Not used



Counter No	Tag	St	MaxOcc	Level	Name
2340	SG52	M	100	1	MOA
2350 87	MOA	M	1	1	Monetary amount

		Standard	Implementation	
Tag	Name	St Format	St Format	Usage / Remark
MOA				
C516	Monetary amount	M	M	
5025	Monetary amount type code qualifier	M an..3	M an..3	
				List of valid codes
				176 Message total duty/tax/fee amount
5004	Monetary amount	C n..35	C n..35	
6345	Currency identification code	C an..3	C an..3	
6343	Currency type code qualifier	C an..3	C an..3	
				List of valid codes
				3 Home currency
4405	Status description code	C an..3	N	

Segment Remarks:

General Notes

Total tax amount in home currency.

Message examples:

MOA+176:500:EUR:3'

Example:

MOA+176:5000:EUR:3'

No = Consecutive segment number
 MaxOcc = Maximum occurrence of the segment/group
 Counter = Counter of segment/group within the standard

St = Status
 EDIFACT: M=Mandatory, C=Conditional
 User specific: R=Required, O=Optional, D=Dependent,
 A=Advised, N=Not used



Counter No	Tag	St	MaxOcc	Level	Name
2390	SG54	C	10	1	TAX-MOA
	General Notes v1.4 1nd occurrence of SG54 TAX is for Invoice currency				
2400 88	TAX	M	1	1	Duty/tax/fee details

		Standard	Implementation	
Tag	Name	St Format	St Format	Usage / Remark
TAX				
5283	Duty or tax or fee function code qualifier	M an..3	M an..3	List of valid codes 7 Tax
C241	Duty/tax/fee type	C	C	
5153	Duty or tax or fee type name code	C an..3	C an..3	List of valid codes VAT Value added tax
1131	Code list identification code	C an..17	N	
3055	Code list responsible agency code	C an..3	N	
5152	Duty or tax or fee type name	C an..35	N	
C533	Duty/tax/fee account detail	C	N	
5289	Duty or tax or fee account code	M an..6	N	
1131	Code list identification code	C an..17	N	
3055	Code list responsible agency code	C an..3	N	
5286	Duty or tax or fee assessment basis quantity	C an..15	N	
C243	Duty/tax/fee detail	C	C	
5279	Duty or tax or fee rate code	C an..7	N	
1131	Code list identification code	C an..17	N	
3055	Code list responsible agency code	C an..3	N	
5278	Duty or tax or fee rate	C an..17	C an..17	
5273	Duty or tax or fee rate basis code	C an..12	N	
1131	Code list identification code	C an..17	N	
3055	Code list responsible agency code	C an..3	N	
5305	Duty or tax or fee category code	C an..3	C an..3	List of valid codes A Mixed tax rate AE VAT Reverse Charge E Exempt from tax S Standard rate
3446	Party tax identifier	C an..20	N	

No = Consecutive segment number
 MaxOcc = Maximum occurrence of the segment/group
 Counter = Counter of segment/group within the standard

St = Status
 EDIFACT: M=Mandatory, C=Conditional
 User specific: R=Required, O=Optional, D=Dependent,
 A=Advised, N=Not used



		Standard	Implementation	
Tag	Name	St Format	St Format	Usage / Remark
1227	Calculation sequence code	C an..3	N	
5307	Tax or duty or fee payment due date code	C an..3	N	

Segment Remarks:

General Notes

Message examples:

TAX+7+VAT+++:::25.00+S'

Example:

TAX+7+VAT+++:::25+S'

No = Consecutive segment number
 MaxOcc = Maximum occurrence of the segment/group
 Counter = Counter of segment/group within the standard

St = Status
 EDIFACT: M=Mandatory, C=Conditional
 User specific: R=Required, O=Optional, D=Dependent,
 A=Advised, N=Not used



Counter No	Tag	St	MaxOcc	Level	Name
2390	SG54	C	10	1	TAX-MOA
	General Notes v1.4 1nd occurrence of SG54 TAX is for Invoice currency				
2410 89	MOA	C	9	2	Monetary amount

		Standard	Implementation	
Tag	Name	St Format	St Format	Usage / Remark
MOA				
C516	Monetary amount	M	M	
5025	Monetary amount type code qualifier	M an..3	M an..3	List of valid codes 176 Message total duty/tax/fee amount
5004	Monetary amount	C n..35	C n..35	
6345	Currency identification code	C an..3	C an..3	
6343	Currency type code qualifier	C an..3	C an..3	List of valid codes 4 Invoicing currency
4405	Status description code	C an..3	N	

Segment Remarks:

General Notes

Accumulated total taxamount in invoicing currency.

Message examples:

MOA+176:500:EUR:4'

Example:

MOA+176:5000:EUR:4'

No = Consecutive segment number
 MaxOcc = Maximum occurrence of the segment/group
 Counter = Counter of segment/group within the standard

St = Status
 EDIFACT: M=Mandatory, C=Conditional
 User specific: R=Required, O=Optional, D=Dependent,
 A=Advised, N=Not used



Counter No	Tag	St	MaxOcc	Level	Name
2390	SG54	C	10	1	TAX-MOA
	General Notes v1.4 1nd occurrence of SG54 TAX is for Invoice currency				
2410 90	MOA	C	9	2	Monetary amount

		Standard	Implementation	
Tag	Name	St Format	St Format	Usage / Remark
MOA				
C516	Monetary amount	M	M	
5025	Monetary amount type code qualifier	M an..3	M an..3	
				List of valid codes 125 Taxable amount
5004	Monetary amount	C n..35	C n..35	
6345	Currency identification code	C an..3	C an..3	
6343	Currency type code qualifier	C an..3	C an..3	
				List of valid codes 4 Invoicing currency
4405	Status description code	C an..3	N	

Segment Remarks:

General Notes

Accumulated total taxable amount in invoicing currency.

Message examples:

MOA+125:500:EUR:4'

Example:

MOA+125:5000:EUR:4'

No = Consecutive segment number
 MaxOcc = Maximum occurrence of the segment/group
 Counter = Counter of segment/group within the standard

St = Status
 EDIFACT: M=Mandatory, C=Conditional
 User specific: R=Required, O=Optional, D=Dependent,
 A=Advised, N=Not used



Counter No	Tag	St	MaxOcc	Level	Name
2390	SG54	C	10	1	TAX-MOA
	General Notes v1.4 2nd occurrence of SG54 TAX is for Home/Local currency				
2400 91	TAX	M	1	1	Duty/tax/fee details

		Standard	Implementation	
Tag	Name	St Format	St Format	Usage / Remark
TAX				
5283	Duty or tax or fee function code qualifier	M an..3	M an..3	List of valid codes 9 Tax related information
C241	Duty/tax/fee type	C	C	
5153	Duty or tax or fee type name code	C an..3	C an..3	List of valid codes VAT Value added tax
1131	Code list identification code	C an..17	N	
3055	Code list responsible agency code	C an..3	N	
5152	Duty or tax or fee type name	C an..35	N	
C533	Duty/tax/fee account detail	C	N	
5289	Duty or tax or fee account code	M an..6	N	
1131	Code list identification code	C an..17	N	
3055	Code list responsible agency code	C an..3	N	
5286	Duty or tax or fee assessment basis quantity	C an..15	N	
C243	Duty/tax/fee detail	C	C	
5279	Duty or tax or fee rate code	C an..7	N	
1131	Code list identification code	C an..17	N	
3055	Code list responsible agency code	C an..3	N	
5278	Duty or tax or fee rate	C an..17	C an..17	
5273	Duty or tax or fee rate basis code	C an..12	N	
1131	Code list identification code	C an..17	N	
3055	Code list responsible agency code	C an..3	N	
5305	Duty or tax or fee category code	C an..3	C an..3	List of valid codes A Mixed tax rate AE VAT Reverse Charge E Exempt from tax S Standard rate
3446	Party tax identifier	C an..20	N	

No = Consecutive segment number
 MaxOcc = Maximum occurrence of the segment/group
 Counter = Counter of segment/group within the standard

St = Status
 EDIFACT: M=Mandatory, C=Conditional
 User specific: R=Required, O=Optional, D=Dependent,
 A=Advised, N=Not used



		Standard	Implementation	
Tag	Name	St Format	St Format	Usage / Remark
1227	Calculation sequence code	C an..3	N	
5307	Tax or duty or fee payment due date code	C an..3	N	

Segment Remarks:

General Notes

Message examples:

TAX+9+VAT+++:::25.00+S'

Example:

TAX+9+VAT+++:::25+S'

No = Consecutive segment number
 MaxOcc = Maximum occurrence of the segment/group
 Counter = Counter of segment/group within the standard

St = Status
 EDIFACT: M=Mandatory, C=Conditional
 User specific: R=Required, O=Optional, D=Dependent,
 A=Advised, N=Not used



Counter No	Tag	St	MaxOcc	Level	Name
2390	SG54	C	10	1	TAX-MOA
	General Notes v1.4 2nd occurrence of SG54 TAX is for Home/Local currency				
2410 92	MOA	C	9	2	Monetary amount

		Standard	Implementation	
Tag	Name	St Format	St Format	Usage / Remark
MOA				
C516	Monetary amount	M	M	
5025	Monetary amount type code qualifier	M an..3	M an..3	List of valid codes 176 Message total duty/tax/fee amount
5004	Monetary amount	C n..35	C n..35	
6345	Currency identification code	C an..3	C an..3	
6343	Currency type code qualifier	C an..3	C an..3	List of valid codes 3 Home currency
4405	Status description code	C an..3	N	

Segment Remarks:

General Notes

Accumulated total tax amount in home currency.

Message examples:

MOA+176:500:EUR:3'

Example:

MOA+176:5000:EUR:3'

No = Consecutive segment number
 MaxOcc = Maximum occurrence of the segment/group
 Counter = Counter of segment/group within the standard

St = Status
 EDIFACT: M=Mandatory, C=Conditional
 User specific: R=Required, O=Optional, D=Dependent,
 A=Advised, N=Not used



Counter No	Tag	St	MaxOcc	Level	Name
2390	SG54	C	10	1	TAX-MOA
	General Notes v1.4 2nd occurrence of SG54 TAX is for Home/Local currency				
2410 93	MOA	C	9	2	Monetary amount

		Standard	Implementation	
Tag	Name	St Format	St Format	Usage / Remark
MOA				
C516	Monetary amount	M	M	
5025	Monetary amount type code qualifier	M an..3	M an..3	List of valid codes 125 Taxable amount
5004	Monetary amount	C n..35	C n..35	
6345	Currency identification code	C an..3	C an..3	
6343	Currency type code qualifier	C an..3	C an..3	List of valid codes 3 Home currency
4405	Status description code	C an..3	N	

Segment Remarks:

General Notes

Accumulated total taxable amount in home currency.

Message examples:

MOA+125:500:EUR:3'

Example:

MOA+125:5000:EUR:3'

No = Consecutive segment number
 MaxOcc = Maximum occurrence of the segment/group
 Counter = Counter of segment/group within the standard

St = Status
 EDIFACT: M=Mandatory, C=Conditional
 User specific: R=Required, O=Optional, D=Dependent,
 A=Advised, N=Not used



Counter	No	Tag	St	MaxOcc	Level	Name
2470	94	UNT	M	1	0	Message trailer

		Standard	Implementation	
Tag	Name	St Format	St Format	Usage / Remark
UNT				
0074	Number of segments in a message	M n..10	M n..10	
0062	Message reference number	M an..14	M an..14	

Segment Remarks:

General Notes

Message examples:

UNT+91+123456'

Example:

UNT+91+123456'

No = Consecutive segment number
 MaxOcc = Maximum occurrence of the segment/group
 Counter = Counter of segment/group within the standard

St = Status
 EDIFACT: M=Mandatory, C=Conditional
 User specific: R=Required, O=Optional, D=Dependent,
 A=Advised, N=Not used



Example Message

No	Tag	Example
01	UNA	UNA:+.? '
02	UNB	UNB+UNOC:4+5790000834129:ZZZ+PartnerId:ZZZ+20221220:1500+00000000012345+++++1'
03	UNH	UNH+123456+INVOIC:D:10B:UN'
04	BGM	BGM+380+DK456654+9'
05	DTM	DTM+137:201804040800:203'
06	DTM	DTM+3:201804121600:203'
07	FTX	FTX+ADU+++Note'
08	FTX	FTX+DCL+++Document issuer declaration:X:X:X:X'
09	LOC	LOC+183+I382:::DKHOR'
	SG1	
10	RFF	RFF+AAM:1223559:X'
	SG1	
11	RFF	RFF+CU:1223559'
	SG1	
12	RFF	RFF+PQ:309863385000006298123'
	SG2	
13	NAD	NAD+II+987654321::9++Invoice issuer+East street 20:2nd address:X+HEDE HUSENE++2630+DK'
14	FII	FII+II+SE 19 9500 0099 6034 0872 0708:DSV Air & Sea AB+NDEASESS::17:3408720708:::9960:NORDEA BANK AB'
	SG3	
15	RFF	RFF+VA:VATNumber'
	SG4	
16	DOC	DOC+385'
	SG5	
17	CTA	CTA+AR+:Invoice issuer'
18	COM	COM+010-4455663388:TE'
19	COM	COM+abc@xx.dsv.com:EM'
	SG2	
20	NAD	NAD+IV+123456789::9++Company +West street 12B:Warehouse 8:150+COPENHAGEN++1610+DK'
	SG3	
21	RFF	RFF+VA:VATNumber'
	SG5	
22	CTA	CTA+AP+:Invoicee'



No	Tag	Example
23	COM	COM+010-4455663388:TE'
24	COM	COM+abc@xx.dsv.com:EM'
SG7		
25	CUX	CUX+2:DKK:10+3:EUR:11+1'
26	DTM	DTM+134:20181102:102'
SG8		
27	PYT	PYT+3+:::Desc. of terms+++D+45'
28	DTM	DTM+13:20180531:102'
SG9		
29	TDT	TDT+20+Air+1+:::LH320+6403864782:::LUFTHANSA+++:::LUFTHANSA'
30	TSR	TSR++2+1'
SG10		
31	LOC	LOC+9+DEFRA:::Frankfurt am Main+X:::3+X'
32	DTM	DTM+186:201812131000:203'
SG10		
33	LOC	LOC+8+DEFRA:::Frankfurt am Main'
34	DTM	DTM+132:201812131000:203'
SG10		
35	LOC	LOC+5+DEFRA:::Frankfurt am Main'
36	DTM	DTM+136:201812131000:203'
SG10		
37	LOC	LOC+11+DEFRA:::Frankfurt am Main+X+X'
38	DTM	DTM+232:201812131000:203'
SG11		
39	RFF	RFF+MB:123456789'
SG12		
40	TOD	TOD+6++EXW:INCOTERMS'
41	LOC	LOC+1+:::Frankfurt am Main'
SG13		
42	EQD	EQD+CN+TCLU229803+40HC:::45GO+++8'
43	SEL	SEL+DSV123'
SG27		
44	LIN	LIN+1++BOGO3-Z3362'
45	IMD	IMD+X+1+:::Freight'
46	MEA	MEA+WT+AAD+KGM:100'
47	MEA	MEA+WT+ACG+KGM:100'

No = Consecutive segment number



No	Tag	Example
48	MEA	MEA+VOL++MTQ:23'
49	MEA	MEA+LMT++MTR:2'
50	DTM	DTM+2:201804041000:203'
51	EQD	EQD+CN+TCLU8092315+40HC::5:LF40+++8'
52	FTX	FTX+AUU+++Service information:X'
53	FTX	FTX+AAA+++Goods description:X:X:X:X'
	SG28	
54	MOA	MOA+203:9:EUR:4'
	SG31	
55	RFF	RFF+SRN:123456789'
	SG31	
56	RFF	RFF+CU:123456789'
	SG32	
57	PAC	PAC+9++PCE'
	SG33	
58	PCI	PCI+24+123456789'
	SG34	
59	LOC	LOC+8+FRMRS::6:MARSEILLE'
	SG34	
60	LOC	LOC+5+DKCPH:::COPENHAGEN'
	SG34	
61	LOC	LOC+9+DKHOR:::HORSENS+HOR::3+40914'
	SG34	
62	LOC	LOC+11+FRMRS:::MARSEILLE+MRS::3+42782'
	SG35	
63	TAX	TAX+7+VAT+++:::25.00+S'
64	MOA	MOA+124:99.99:EUR:4'
	SG36	
65	NAD	NAD+CN+123456789++Consignor+North street:Warehouse 2+PARIS++8260+FR'
	SG40	
66	ALC	ALC+A+0112+++FRT:::Freight'
	SG43	
67	MOA	MOA+8:1000:EUR:4'
68	CUX	CUX+2:EUR:4+3:SEK:3+0.80'
	SG43	
69	MOA	MOA+27:1000:EUR:3'

No = Consecutive segment number



No	Tag	Example
	SG44	
70	RTE	RTE+ZSX:0.8'
	SG45	
71	TAX	TAX+7+VAT:::250++DICH.INT+X:::25+S'
72	MOA	MOA+124:250:EUR:4'
73	MOA	MOA+124:250:EUR:3'
	SG46	
74	TDT	TDT+20+Air+4+:::LH320+LFH:::LUFTHANSA+++:::LUFTHANSA'
	SG47	
75	LOC	LOC+8+FRMRS:::6:MARSEILLE'
	SG47	
76	LOC	LOC+9+DKCPH:::COPENHAGEN'
	SG47	
77	LOC	LOC+5+DKCPH:::COPENHAGEN'
	SG47	
78	LOC	LOC+11+FRMRS:::MARSEILLE+MRS:::3+42782'
	SG48	
79	TOD	TOD+6++EXW:INCOTERMS'
80	LOC	LOC+1+:::Frankfurt am Main'
81	UNS	UNS+S'
	SG52	
82	MOA	MOA+128:2000:EUR:4'
	SG52	
83	MOA	MOA+128:2000:EUR:3'
	SG52	
84	MOA	MOA+125:1250:EUR:4'
	SG52	
85	MOA	MOA+125:1250:EUR:3'
	SG52	
86	MOA	MOA+176:5000:EUR:4'
	SG52	
87	MOA	MOA+176:5000:EUR:3'
	SG54	
88	TAX	TAX+7+VAT+++:::25+S'
89	MOA	MOA+176:5000:EUR:4'
90	MOA	MOA+125:5000:EUR:4'

No = Consecutive segment number



No	Tag	Example
SG54		
91	TAX	TAX+9+VAT+++:::25+S'
92	MOA	MOA+176:5000:EUR:3'
93	MOA	MOA+125:5000:EUR:3'
94	UNT	UNT+91+123456'

No = Consecutive segment number