



Message Implementation Guideline

DSV IFTSTA D10B outbound

based on

IFTSTA

International multimodal status report message

UN D.10B S4

Version: v2.3_Customer_20230621

Issue date: 2023-06-21

Author: DSV A/S, EDI



Structure / Table of Contents

Counter	No	Tag	St	MaxOcc	Level	Content
0000	1	UNB	M	1	0	Interchange header
0010	2	UNH	M	1	0	MESSAGE HEADER
0020	3	BGM	M	1	0	BEGINNING OF MESSAGE
0030	4	DTM	M	9	1	DATE TIME PERIOD
0160		SG4	C	99999	1	EQD-MEA-MEA-DIM-SEL-RFF-SG11
0170	5	EQD	M	1	1	Equipment details
0190	6	MEA	C	9	2	Measurements
0190	7	MEA	C	9	2	Measurements
0200	8	DIM	C	9	2	Dimensions
0210	9	SEL	C	9	2	Seal number
0220	10	RFF	C	9	2	Reference
0440		SG11	C	1	2	TMP-RNG
0450	11	TMP	M	1	2	Temperature
0460	12	RNG	C	1	3	Range details
0500		SG13	C	99999	1	CNI-CNT-SG14
0510	13	CNI	M	1	1	CONSIGNMENT INFORMATION
0530	14	CNT	C	9	2	CONTROL TOTAL
0540		SG14	M	99	2	STS-RFF-RFF-RFF-RFF-RFF-RFF-RFF-RFF-RFF-DTM-FTX-SG15-SG15-SG15-SG15-SG15-SG15-SG15-LOC-SG17-SG23
0550	15	STS	M	1	2	STATUS
0560	16	RFF	R	999	3	REFERENCE
0560	17	RFF	R	999	3	REFERENCE
0560	18	RFF	R	999	3	REFERENCE
0560	19	RFF	R	999	3	REFERENCE
0560	20	RFF	R	999	3	REFERENCE
0560	21	RFF	R	999	3	REFERENCE
0560	22	RFF	R	999	3	REFERENCE
0560	23	RFF	R	999	3	REFERENCE
0560	24	RFF	R	999	3	REFERENCE
0560	25	RFF	R	999	3	REFERENCE
0570	26	DTM	C	9	3	DATE TIME PERIOD
0590	27	FTX	C	9	3	FREE TEXT
0600		SG15	C	9	3	NAD-SG16
0610	28	NAD	M	1	3	NAME AND ADDRESS
0620		SG16	C	9	4	CTA
0630	29	CTA	M	1	4	CONTACT INFORMATION
0600		SG15	C	9	3	NAD
0610	30	NAD	M	1	3	NAME AND ADDRESS

Counter = Counter of segment/group within the standard
 No = Consecutive segment number
 MaxOcc = Maximum occurrence of the segment/group

St = Status
 EDIFACT: M=Mandatory, C=Conditional
 User specific: R=Required, O=Optional, D=Dependent,
 A=Advised, N=Not used



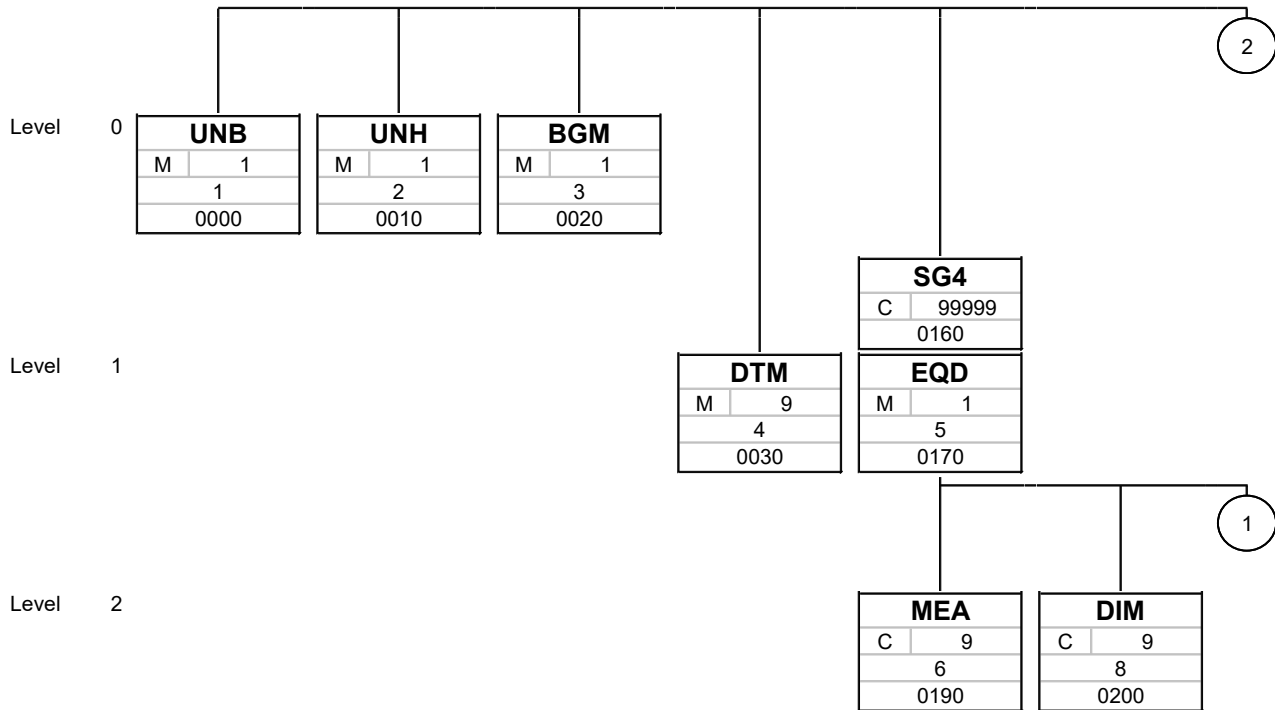
Counter	No	Tag	St	MaxOcc	Level	Content
0600		SG15	C	9	3	NAD
0610	31	NAD	M	1	3	NAME AND ADDRESS
0600		SG15	C	9	3	NAD
0610	32	NAD	M	1	3	NAME AND ADDRESS
0600		SG15	C	9	3	NAD
0610	33	NAD	M	1	3	NAME AND ADDRESS
0600		SG15	C	9	3	NAD
0610	34	NAD	M	1	3	NAME AND ADDRESS
0600		SG15	C	9	3	NAD
0610	35	NAD	M	1	3	NAME AND ADDRESS
0650	36	LOC	M	1	3	PLACE LOCATION IDENTIFICATION
0670		SG17	C	99	3	TDT-RFF-SG18
0680	37	TDT	M	1	3	Transport information
0700	38	RFF	C	9	4	Reference
0710		SG18	C	9	4	LOC
0720	39	LOC	M	1	4	Place/location identification
0910		SG23	C	99	3	GID-LOC-SG24-SG24-SG24-SG24-SG24-SG25-SG26-SG26
0920	40	GID	M	1	3	GOODS ITEM DETAILS
0980	41	LOC	C	9	4	Place/location identification
1000		SG24	C	99	4	MEA
1010	42	MEA	M	1	4	Measurements
1000		SG24	C	99	4	MEA
1010	43	MEA	M	1	4	Measurements
1000		SG24	C	99	4	MEA
1010	44	MEA	M	1	4	Measurements
1000		SG24	C	99	4	MEA
1010	45	MEA	M	1	4	Measurements
1000		SG24	C	99	4	MEA
1010	46	MEA	M	1	4	Measurements
1030		SG25	C	99	4	DIM
1040	47	DIM	M	1	4	DIMENSIONS
1060		SG26	C	99	4	PCI-GIN
1070	48	PCI	M	1	4	PACKAGE IDENTIFICATION
1080	49	GIN	C	9999	5	Goods identity number
1060		SG26	C	99	4	PCI-GIN
1070	50	PCI	M	1	4	PACKAGE IDENTIFICATION
1080	51	GIN	C	9999	5	Goods identity number
1120	52	UNT	M	1	0	Message trailer
0000	53	UNZ	M	1	0	Interchange trailer

Counter = Counter of segment/group within the standard
 No = Consecutive segment number
 MaxOcc = Maximum occurrence of the segment/group

St = Status
 EDIFACT: M=Mandatory, C=Conditional
 User specific: R=Required, O=Optional, D=Dependent,
 A=Advised, N=Not used

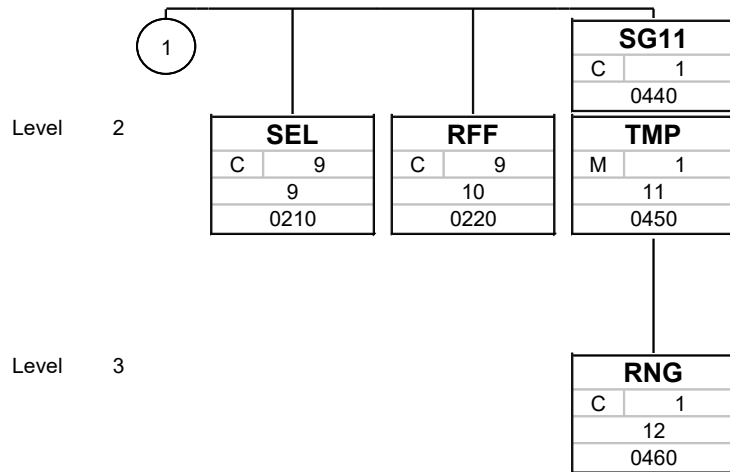


Branching Diagram of Used Segments/Groups



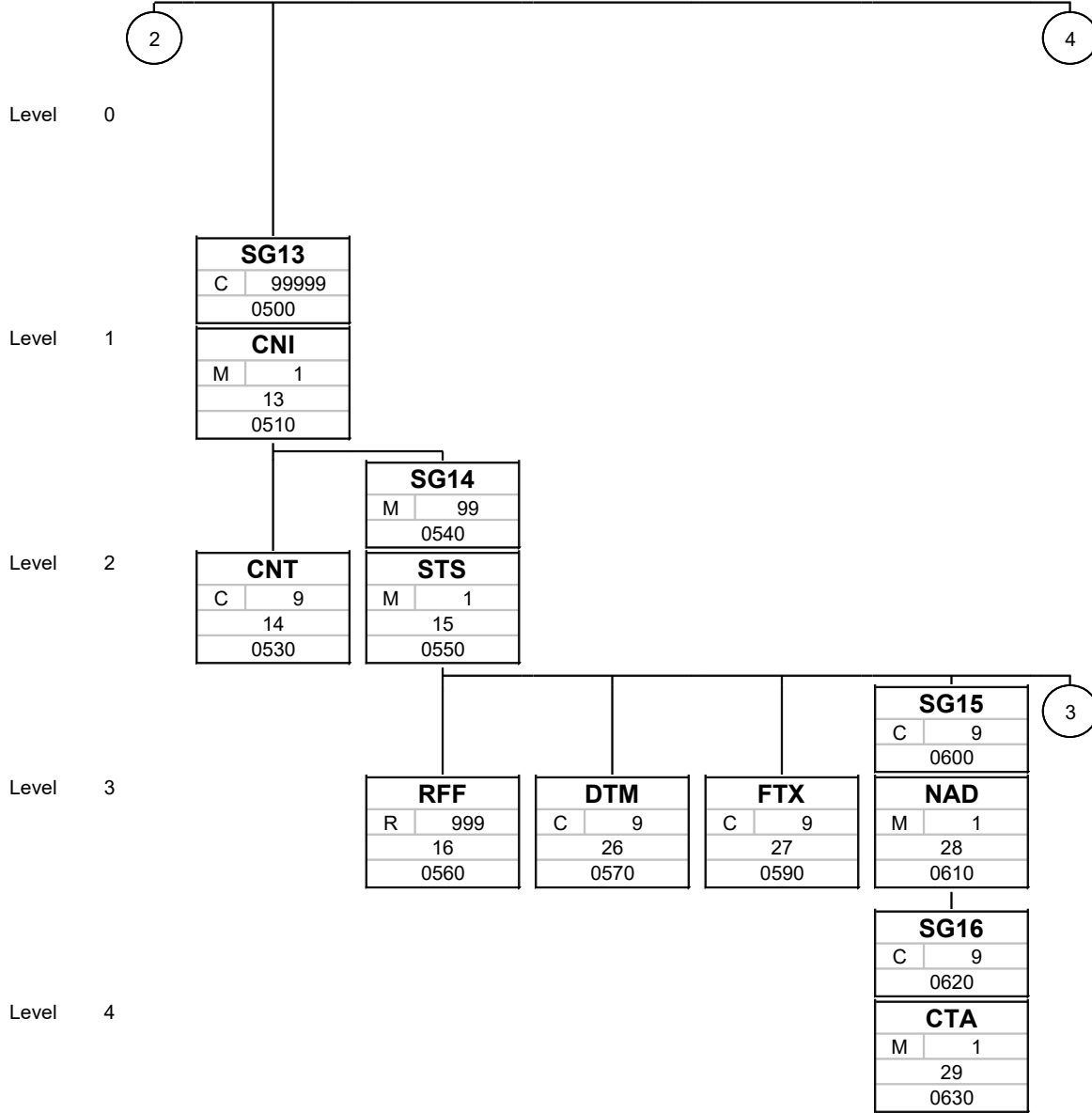
Tag
St MaxOcc
No
Counter

Tag = Segment/Group Tag
 St = Status (M=Mandatory, C=Conditional, R=Required, O=Optional, A=Advised, D=Dependent)
 MaxOcc = Maximum occurrence of the segment/group
 No = Consecutive segment number
 Counter = Counter of segment/group within the standard



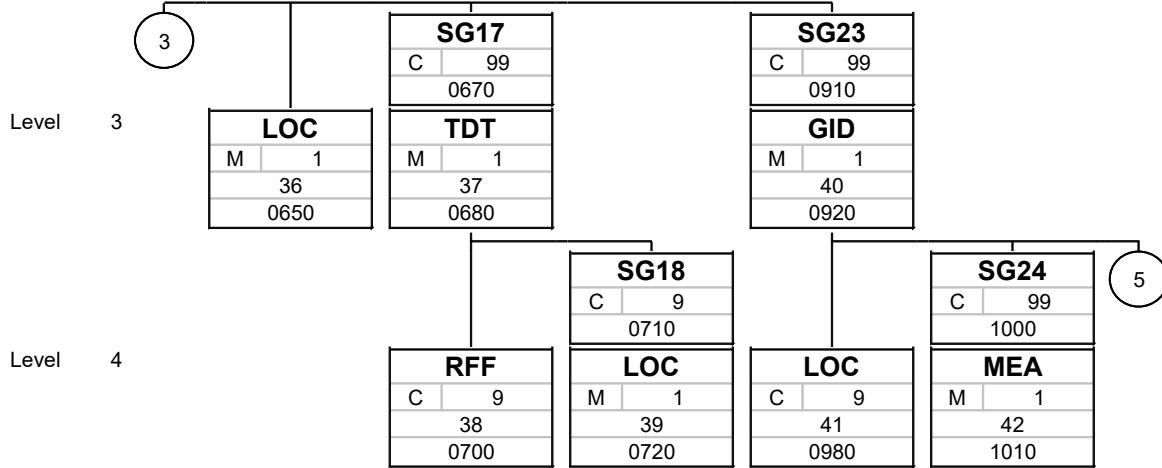
Tag
St MaxOcc
No
Counter

Tag = Segment/Group Tag
 St = Status (M=Mandatory, C=Conditional, R=Required, O=Optional, A=Advised, D=Dependent)
 MaxOcc = Maximum occurrence of the segment/group
 No = Consecutive segment number
 Counter = Counter of segment/group within the standard



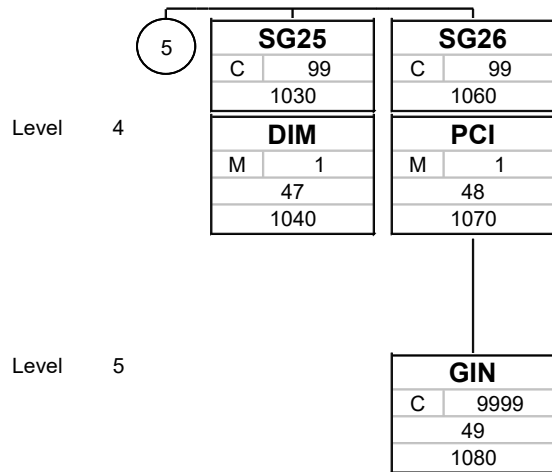
Tag
St MaxOcc
No
Counter

Tag = Segment/Group Tag
 St = Status (M=Mandatory, C=Conditional, R=Required, O=Optional, A=Advised, D=Dependent)
 MaxOcc = Maximum occurrence of the segment/group
 No = Consecutive segment number
 Counter = Counter of segment/group within the standard



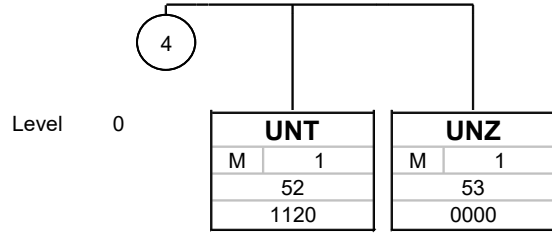
Tag
St MaxOcc
No
Counter

Tag = Segment/Group Tag
 St = Status (M=Mandatory, C=Conditional, R=Required, O=Optional, A=Advised, D=Dependent)
 MaxOcc = Maximum occurrence of the segment/group
 No = Consecutive segment number
 Counter = Counter of segment/group within the standard



Tag
St MaxOcc
No
Counter

Tag = Segment/Group Tag
 St = Status (M=Mandatory, C=Conditional, R=Required, O=Optional, A=Advised, D=Dependent)
 MaxOcc = Maximum occurrence of the segment/group
 No = Consecutive segment number
 Counter = Counter of segment/group within the standard



Tag
St MaxOcc
No
Counter

Tag = Segment/Group Tag
 St = Status (M=Mandatory, C=Conditional, R=Required, O=Optional, A=Advised, D=Dependent)
 MaxOcc = Maximum occurrence of the segment/group
 No = Consecutive segment number
 Counter = Counter of segment/group within the standard



Segments

Counter	No	Tag	St	MaxOcc	Level	Name
---------	----	-----	----	--------	-------	------

0000 1 **UNB** M 1 0 Interchange header

		Standard	Implementation	
Tag	Name	St Format	St Format	Usage / Remark
UNB				
S001	Syntax identifier	M	M	
0001	Syntax identifier	M a4	M a4	List of valid codes UNOC UN/ECE level C
0002	Syntax version number	M an1	M an1	List of valid codes 4 Version 4
0080	Service code list directory version number	C an..6	N	
0133	Character encoding, coded	C an..3	N	
0076	Syntax release number	C an2	N	
S002	Interchange sender	M	M	
0004	Interchange sender identification	M an..35	M an..35	General Notes DSV Sender ID: 5790000110018
0007	Identification code qualifier	C an..4	C an..4	List of valid codes 14 GS1
0008	Interchange sender internal identification	C an..35	N	
0042	Interchange sender internal sub-identification	C an..35	N	
S003	Interchange recipient	M	M	
0010	Interchange recipient identification	M an..35	M an..35	General Notes Customer recipient identification.
0007	Identification code qualifier	C an..4	C an..4	General Notes For standard setups no qualifier is used for the recipient identification.
0014	Interchange recipient internal identification	C an..35	N	
0046	Interchange recipient internal sub-identification	C an..35	N	
S004	Date and time of preparation	M	M	
0017	Date	M n8	M n8	
0019	Time	M n4	M n4	
0020	Interchange control reference	M an..14	M an..14	
S005	Recipient reference/password details	C	N	
0022	Recipient reference/password	M an..14	N	
0025	Recipient reference/password	C an2	N	

No = Consecutive segment number
 MaxOcc = Maximum occurrence of the segment/group
 Counter = Counter of segment/group within the standard

St = Status
 EDIFACT: M=Mandatory, C=Conditional
 User specific: R=Required, O=Optional, D=Dependent,
 A=Advised, N=Not used



		Standard	Implementation	
Tag	Name	St Format	St Format	Usage / Remark
	qualifier			
0026	Application reference	C an..14	N	
0029	Processing priority code	C a1	N	
0031	Acknowledgement request	C n1	N	
0032	Interchange agreement identifier	C an..35	N	
0035	Test indicator	C n1	N	

Segment Remarks:

General Notes

DSV can provide out status information's either on shipment level and/or on item level.

This is dependent on application used for the different DSV products.

If the application sends information out on Shipment level there can in a file be several CNI segments as there can be several different consignments reported status on. The STS with qualifier ZCN has the status code for the consignment.

There can as well be information's available on item level even if the status is reported on shipment level. The information relating to the item level will be grouped together, in regards to the status codes. The STS has qualifier ZGI indicating this information is on item level. For status on shipment level the item level information's will only be available in those cases where such information is there. The segments repeated in the STS+ZGI loop are SG23 GID, SG26 PCI, SG26 GIN.

If the application set up to send information out on item level. There will be one BGM per item. There will only be one CNI with value 1. There will also only be one STS and the qualifier will be ZGI.

For road shipments dimension information on item level is dependent on that it has passed through weight and volume scanners.

Message example:

UNB+UNOC:4+CUSTOMERID+5790000110018:14+20190130:1354+31'

Example:

UNB+UNOC:4+5790000110018:14+CUSTOMERID+20190130:1354+31'

No = Consecutive segment number
 MaxOcc = Maximum occurrence of the segment/group
 Counter = Counter of segment/group within the standard

St = Status
 EDIFACT: M=Mandatory, C=Conditional
 User specific: R=Required, O=Optional, D=Dependent,
 A=Advised, N=Not used



Counter	No	Tag	St	MaxOcc	Level	Name
---------	----	-----	----	--------	-------	------

0010 2 **UNH** M 1 0 MESSAGE HEADER

		Standard	Implementation	
Tag	Name	St Format	St Format	Usage / Remark
UNH				
0062	Message reference number	M an..14	M an..14	
S009	Message identifier	M	M	
0065	Message type	M an..6	M an..6	List of valid codes IFTSTA International multimodal status report message
0052	Message version number	M an..3	M an..3	List of valid codes D Draft version/UN/EDIFACT Directory
0054	Message release number	M an..3	M an..3	List of valid codes 10B Release 2010 - B
0051	Controlling agency, coded	M an..3	M an..3	List of valid codes UN UN/CEFACT
0057	Association assigned code	C an..6	N	
0110	Code list directory version number	C an..6	N	
0113	Message type sub-function identification	C an..6	N	
0068	Common access reference	C an..35	N	
S010	Status of the transfer	C	N	
0070	Sequence of transfers	M n..2	N	
0073	First and last transfer	C a1	N	
S016	Message subset identification	C	N	
0115	Message subset identification	M an..14	N	
0116	Message subset version number	C an..3	N	
0118	Message subset release number	C an..3	N	
0051	Controlling agency, coded	C an..3	N	
S017	Message implementation guideline identification	C	N	
0121	Message implementation guideline identification	M an..14	N	
0122	Message implementation guideline version number	C an..3	N	
0124	Message implementation guideline release number	C an..3	N	
0051	Controlling agency, coded	C an..3	N	
S018	Scenario identification	C	N	
0127	Scenario identification	M an..14	N	
0128	Scenario version number	C an..3	N	
0130	Scenario release number	C an..3	N	

No = Consecutive segment number
 MaxOcc = Maximum occurrence of the segment/group
 Counter = Counter of segment/group within the standard

St = Status
 EDIFACT: M=Mandatory, C=Conditional
 User specific: R=Required, O=Optional, D=Dependent,
 A=Advised, N=Not used



		Standard	Implementation	
Tag	Name	St Format	St Format	Usage / Remark
0051	Controlling agency, coded	C an..3	N	

Segment Remarks:

General Notes

Message example:
UNH+45869+IFTSTA:D:10B:UN'

Example:

UNH+45689+IFTSTA:D:10B:UN'

No = Consecutive segment number
MaxOcc = Maximum occurrence of the segment/group
Counter = Counter of segment/group within the standard

St = Status
EDIFACT: M=Mandatory, C=Conditional
User specific: R=Required, O=Optional, D=Dependent,
A=Advised, N=Not used



Counter	No	Tag	St	MaxOcc	Level	Name
---------	----	-----	----	--------	-------	------

0020 3 **BGM** M 1 0 BEGINNING OF MESSAGE

		Standard	Implementation	
Tag	Name	St Format	St Format	Usage / Remark
BGM				
C002	Document/message name	C	M	
1001	Document name code	C an..3	M an..3	List of valid codes 77 Consignment status report
1131	Code list identification code	C an..17	N	
3055	Code list responsible agency code	C an..3	N	
1000	Document name	C an..35	N	
C106	Document/message identification	C	C	
1004	Document identifier	C an..70	M an..70	General Notes DSV reference will be used as document identifier.
1056	Version identifier	C an..9	N	
1060	Revision identifier	C an..6	N	
1225	Message function code	C an..3	M an..3	List of valid codes 9 Original
4343	Response type code	C an..3	N	

Segment Remarks:

General Notes

Containing the DSV Reference in element 1004.

If the status information are reported on Item level only then there is one BGM segment per item and only one CNL and one STS with qualifier ZGI.

If the status information are reported on Shipment level then there is one BGM per shipment. And there can be several STS segments, one with qualifier ZCN and then zero to several with qualifier ZC

Message example:

BGM+77+ABCDE-12345+9'

Example:

BGM+77+ABCDE-12345+9'

No = Consecutive segment number
 MaxOcc = Maximum occurrence of the segment/group
 Counter = Counter of segment/group within the standard

St = Status
 EDIFACT: M=Mandatory, C=Conditional
 User specific: R=Required, O=Optional, D=Dependent,
 A=Advised, N=Not used



Counter	No	Tag	St	MaxOcc	Level	Name
---------	----	-----	----	--------	-------	------

0030 4 **DTM** M 9 1 DATE TIME PERIOD

Standard			Implementation	
Tag	Name	St Format	St Format	Usage / Remark
DTM				
C507	Date/time/period	M	M	
2005	Date or time or period function code qualifier	M an..3	M an..3	<p>List of valid codes</p> <p>2 Delivery date/time, requested</p> <p>17 Delivery date/time, estimated</p> <p>65 Delivery date/time, 1st schedule</p> <p>137 Document issue date time</p> <p>189 Transport means departure date/time, scheduled</p> <p>232 Transport means arrival date/time, scheduled</p> <p>234 Collection date/time, earliest</p>
2380	Date or time or period text	C an..35	M an..35	
2379	Date or time or period format code	C an..3	M an..3	<p>List of valid codes</p> <p>102 CCYYMMDD</p> <p>203 CCYYMMDDHHMM</p> <p>719 CCYYMMDDHHMM-CCYYMMDDHHMM</p>

Segment Remarks:

General Notes

Message examples:

- DTM+137:202003220207:203'
- DTM+2:20200322:102'
- DTM+234:20200316:102'
- DTM+17:20200321:102'
- DTM+65:20200321100000-20200321120000:719'
- DTM+232:20200315:102'
- DTM+189:20200301:102'

Example:

DTM+137:20220930:102'

No = Consecutive segment number
 MaxOcc = Maximum occurrence of the segment/group
 Counter = Counter of segment/group within the standard

St = Status
 EDIFACT: M=Mandatory, C=Conditional
 User specific: R=Required, O=Optional, D=Dependent,
 A=Advised, N=Not used



Counter	No	Tag	St	MaxOcc	Level	Name
---------	----	-----	----	--------	-------	------

0160 **SG4** C 99999 1 **EQD-MEA-DIM-SEL-RFF-SG11**

General Notes

Release v2.3: SG4 EQD enabled for Containers only.

0170 5 **EQD** M 1 1 **Equipment details**

Standard			Implementation	
Tag	Name	St Format	St Format	Usage / Remark
EQD				
8053	Equipment type code qualifier	M an..3	M an..3	List of valid codes CN Container
C237	Equipment identification	C	C	
8260	Equipment identifier	C an..17	C an..17	
1131	Code list identification code	C an..17	N	
3055	Code list responsible agency code	C an..3	N	
3207	Country identifier	C an..3	N	
C224	Equipment size and type	C	C	
8155	Equipment size and type description code	C an..10	C an..10	
1131	Code list identification code	C an..17	N	
3055	Code list responsible agency code	C an..3	C an..3	
8154	Equipment size and type description	C an..35	C an..35	
8077	Equipment supplier code	C an..3	N	
8249	Equipment status code	C an..3	N	
8169	Full or empty indicator code	C an..3	C an..3	
4233	Marking instructions code	C an..3	N	

Segment Remarks:

General Notes

Example:

EQD+CN+MSCU1234567+40GP::5:42G0+++1'

No = Consecutive segment number
 MaxOcc = Maximum occurrence of the segment/group
 Counter = Counter of segment/group within the standard

St = Status
 EDIFACT: M=Mandatory, C=Conditional
 User specific: R=Required, O=Optional, D=Dependent,
 A=Advised, N=Not used



Counter	No	Tag	St	MaxOcc	Level	Name
0160		SG4	C	99999	1	EQD-MEA-DIM-SEL-RFF-SG11
General Notes Release v2.3: SG4 EQD enabled for Containers only.						
0190	6	MEA	C	9	2	Measurements

		Standard	Implementation	
Tag	Name	St Format	St Format	Usage / Remark
MEA				
6311	Measurement purpose code qualifier	M an..3	M an..3	List of valid codes WT Weights
C502	Measurement details	C	C	
6313	Measured attribute code	C an..3	C an..3	List of valid codes AAB Goods item gross weight
6321	Measurement significance code	C an..3	N	
6155	Non-discrete measurement name code	C an..17	N	
6154	Non-discrete measurement name	C an..70	N	
C174	Value/range	C	C	
6411	Measurement unit code	M an..8	M an..8	List of valid codes KGM kilogram
6314	Measure	C an..18	C an..18	
6162	Range minimum quantity	C n..18	N	
6152	Range maximum quantity	C n..18	N	
6432	Significant digits quantity	C n..2	N	
7383	Surface or layer code	C an..3	N	

Segment Remarks:

Example:

MEA+WT+AAB+KGM:100'

No = Consecutive segment number
 MaxOcc = Maximum occurrence of the segment/group
 Counter = Counter of segment/group within the standard

St = Status
 EDIFACT: M=Mandatory, C=Conditional
 User specific: R=Required, O=Optional, D=Dependent,
 A=Advised, N=Not used



Counter No	Tag	St	MaxOcc	Level	Name
------------	-----	----	--------	-------	------

0160 **SG4** C 99999 1 EQD-MEA-DIM-SEL-RFF-SG11

General Notes

Release v2.3: SG4 EQD enabled for Containers only.

0190 7 **MEA** C 9 2 Measurements

		Standard	Implementation	
Tag	Name	St Format	St Format	Usage / Remark
MEA				
6311	Measurement purpose code qualifier	M an..3	M an..3	List of valid codes VOL Volume
C502	Measurement details	C	N	
6313	Measured attribute code	C an..3	N	
6321	Measurement significance code	C an..3	N	
6155	Non-discrete measurement name code	C an..17	N	
6154	Non-discrete measurement name	C an..70	N	
C174	Value/range	C	C	
6411	Measurement unit code	M an..8	M an..8	List of valid codes MTQ cubic metre
6314	Measure	C an..18	C an..18	
6162	Range minimum quantity	C n..18	N	
6152	Range maximum quantity	C n..18	N	
6432	Significant digits quantity	C n..2	N	
7383	Surface or layer code	C an..3	N	

Segment Remarks:

Example:

MEA+VOL++MTQ:1.2'

No = Consecutive segment number
 MaxOcc = Maximum occurrence of the segment/group
 Counter = Counter of segment/group within the standard

St = Status
 EDIFACT: M=Mandatory, C=Conditional
 User specific: R=Required, O=Optional, D=Dependent,
 A=Advised, N=Not used



Counter	No	Tag	St	MaxOcc	Level	Name
0160		SG4	C	99999	1	EQD-MEA-DIM-SEL-RFF-SG11
General Notes Release v2.3: SG4 EQD enabled for Containers only.						
0200	8	DIM	C	9	2	Dimensions

		Standard	Implementation	
Tag	Name	St Format	St Format	Usage / Remark
DIM				
6145	Dimension type code qualifier	M an..3	M an..3	List of valid codes 10 External equipment dimension
C211	Dimensions	M	M	
6411	Measurement unit code	M an..8	M an..8	List of valid codes CMT centimetre MTR metre
6168	Length measure	C n..15	C n..15	
6140	Width measure	C n..15	C n..15	
6008	Height measure	C n..15	C n..15	

Segment Remarks:

Example:

DIM+10+MTR:9:9:9'

No = Consecutive segment number
 MaxOcc = Maximum occurrence of the segment/group
 Counter = Counter of segment/group within the standard

St = Status
 EDIFACT: M=Mandatory, C=Conditional
 User specific: R=Required, O=Optional, D=Dependent,
 A=Advised, N=Not used



Counter	No	Tag	St	MaxOcc	Level	Name
0160		SG4	C	99999	1	EQD-MEA-DIM-SEL-RFF-SG11
		General Notes Release v2.3: SG4 EQD enabled for Containers only.				
0210	9	SEL	C	9	2	Seal number

		Standard	Implementation	
Tag	Name	St Format	St Format	Usage / Remark
SEL				
9308	Transport unit seal identifier	C an..35	C an..35	
C215	Seal issuer	C	N	
9303	Sealing party name code	C an..3	N	
1131	Code list identification code	C an..17	N	
3055	Code list responsible agency code	C an..3	N	
9302	Sealing party name	C an..35	N	
4517	Seal condition code	C an..3	N	
C208	Identity number range	C	N	
7402	Object identifier	M an..35	N	
7402	Object identifier	C an..35	N	
4525	Seal type code	C an..3	N	

Segment Remarks:

Example:

SEL+DSV12345'

No = Consecutive segment number
 MaxOcc = Maximum occurrence of the segment/group
 Counter = Counter of segment/group within the standard

St = Status
 EDIFACT: M=Mandatory, C=Conditional
 User specific: R=Required, O=Optional, D=Dependent,
 A=Advised, N=Not used



Counter No	Tag	St	MaxOcc	Level	Name
0160	SG4	C	99999	1	EQD-MEA-DIM-SEL-RFF-SG11
	General Notes Release v2.3: SG4 EQD enabled for Containers only.				
0220 10	RFF	C	9	2	Reference

		Standard	Implementation	
Tag	Name	St Format	St Format	Usage / Remark
RFF				
C506	Reference	M	M	
1153	Reference code qualifier	M an..3	M an..3	
				List of valid codes MB Master bill of lading number
1154	Reference identifier	C an..70	C an..70	
1156	Document line identifier	C an..6	N	
1056	Version identifier	C an..9	N	
1060	Revision identifier	C an..6	N	

Segment Remarks:

Example:

RFF+MB:DSV78962'

No = Consecutive segment number
 MaxOcc = Maximum occurrence of the segment/group
 Counter = Counter of segment/group within the standard

St = Status
 EDIFACT: M=Mandatory, C=Conditional
 User specific: R=Required, O=Optional, D=Dependent,
 A=Advised, N=Not used



Counter	No	Tag	St	MaxOcc	Level	Name
0440		SG11	C	1	2	TMP-RNG
0450	11	TMP	M	1	2	Temperature

Standard			Implementation	
Tag	Name	St Format	St Format	Usage / Remark
TMP				
6245	Temperature type code qualifier	M an..3	M an..3	<p>List of valid codes</p> <p>2 Transport temperature</p>
C239	Temperature setting	C	C	
6246	Temperature degree	C n..15	C n..15	
6411	Measurement unit code	C an..8	C an..8	<p>List of valid codes</p> <p>CEL degree Celsius</p> <p>FAH degree Fahrenheit</p>

Segment Remarks:

Example:

TMP+2+:CEL'

No = Consecutive segment number
 MaxOcc = Maximum occurrence of the segment/group
 Counter = Counter of segment/group within the standard

St = Status
 EDIFACT: M=Mandatory, C=Conditional
 User specific: R=Required, O=Optional, D=Dependent,
 A=Advised, N=Not used



Counter	No	Tag	St	MaxOcc	Level	Name
0440		SG11	C	1	2	TMP-RNG
0460	12	RNG	C	1	3	Range details

		Standard	Implementation	
Tag	Name	St Format	St Format	Usage / Remark
RNG				
6167	Range type code qualifier	M an..3	M an..3	List of valid codes 5 Temperature range
C280	Range	C	C	
6411	Measurement unit code	M an..8	M an..8	List of valid codes CEL degree Celsius FAH degree Fahrenheit
6162	Range minimum quantity	C n..18	C n..18	
6152	Range maximum quantity	C n..18	C n..18	

Segment Remarks:

Example:

RNG+5+10:::9'

No = Consecutive segment number
 MaxOcc = Maximum occurrence of the segment/group
 Counter = Counter of segment/group within the standard

St = Status
 EDIFACT: M=Mandatory, C=Conditional
 User specific: R=Required, O=Optional, D=Dependent,
 A=Advised, N=Not used



Counter	No	Tag	St	MaxOcc	Level	Name
	0500	SG13 General Notes	C	99999	1	CNI-CNT-SG14
	0510	13 CNI	M	1	1	CONSIGNMENT INFORMATION

		Standard	Implementation	
Tag	Name	St Format	St Format	Usage / Remark
CNI				
1490	Consolidation item number	C n..5	C n..5	
C503	Document/message details	C	M	General Notes DSV Reference.
1004	Document identifier	C an..70	M an..70	
1373	Document status code	C an..3	N	
1366	Document source description	C an..70	N	
3453	Language name code	C an..3	N	
1056	Version identifier	C an..9	N	
1060	Revision identifier	C an..6	N	
1312	Consignment load sequence identifier	C n..4	N	

Segment Remarks:

General Notes

There will be one CNI per shipment, value in element 1490 will increment for each shipment if message contains multiple shipments. Item level statuses will be placed in the same CNI group as the shipment level status they belong to, but grouped by event, reasons & date in separate STS segment groups (see STS segment). For messages only containing item level status will there only be one CNI group (with element 1490 equal to 1) and one STS group (with element 9015 equal to ZGI).

Message example:
CNI+1+DSV12345'

Example:

CNI+1+DSV12345'

No = Consecutive segment number
MaxOcc = Maximum occurrence of the segment/group
Counter = Counter of segment/group within the standard

St = Status
EDIFACT: M=Mandatory, C=Conditional
User specific: R=Required, O=Optional, D=Dependent,
A=Advised, N=Not used



Counter	No	Tag	St	MaxOcc	Level	Name
0500		SG13 General Notes	C	99999	1	CNI-CNT-SG14
0530	14	CNT	C	9	2	CONTROL TOTAL

Standard			Implementation	
Tag	Name	St Format	St Format	Usage / Remark
CNT				
C270	Control	M	M	
6069	Control total type code qualifier	M an..3	M an..3	<p>List of valid codes</p> <p>7 Total gross weight 11 Consignment package quantity 15 Total consignment, cube 19 Total reported quantity in supplementary units 57 Total loading metres</p>
6066	Control total quantity	M n..18	M n..18	
6411	Measurement unit code	C an..8	C an..8	<p>General Notes</p> <p>MTR = Meter KGM = Kilogram MTQ = Cubic Meter PCE = Pieces</p> <p>For Qualifier 19 - Total number of pallet spaces, the following units can be used PLL = Pallet HLP = Half Pallet KPL = Quarter Pallet</p> <p>List of valid codes</p> <p>KGM kilogram MTR metre MTQ cubic metre PCE Pieces PLL Pallet HPL Half pallet KPL Quarter pallet</p>

Segment Remarks:

General Notes

Message examples:

CNT+15:0.002:MTQ'
 CNT+7:259.0:KGM'
 CNT+11:1:PCE'
 CNT+57:0.3:MTR'
 CNT+19:4.8:PCE'

Example:

No = Consecutive segment number
 MaxOcc = Maximum occurrence of the segment/group
 Counter = Counter of segment/group within the standard

St = Status
 EDIFACT: M=Mandatory, C=Conditional
 User specific: R=Required, O=Optional, D=Dependent,
 A=Advised, N=Not used



CNT+7:100.01:KGM'

No = Consecutive segment number
MaxOcc = Maximum occurrence of the segment/group
Counter = Counter of segment/group within the standard

St = Status
EDIFACT: M=Mandatory, C=Conditional
User specific: R=Required, O=Optional, D=Dependent,
A=Advised, N=Not used



Counter	No	Tag	St	MaxOcc	Level	Name
0540		SG14	M	99	2	STS-RFF-DTM-FTX-SG15-LOC-SG17-SG23
0550	15	STS	M	1	2	STATUS

Standard			Implementation	
Tag	Name	St Format	St Format	Usage / Remark
STS				
C601	Status category	C	C	
9015	Status category code	M an..3	M an..3	List of valid codes ZCN Consignment level ZGI Goods Item level
1131	Code list identification code	C an..17	N	
3055	Code list responsible agency code	C an..3	N	
C555	Status	C	C	
4405	Status description code	M an..3	M an..3	List of valid codes Z1 Arrived Z13 Collected Z20 Delayed Z21 Delivered Z27 Departed/Loaded Z53 Not collected Z56 Not delivered DCE Estimated time of Delivery ETA Estimated time of Arrival ETD Estimated time of Departure IRP Interim Receipt PCE Estimated Pickup
1131	Code list identification code	C an..17	N	
3055	Code list responsible agency code	C an..3	N	
4404	Status description	C an..35	N	
C556	Status reason	C	C	
9013	Status reason description code	M an..3	M an..3	List of valid codes 5 Appointment scheduled 6 Attempt unsuccessful 8 Changed schedule 14 Damaged 19 Discrepancy 30 Incorrect address 35 Mechanical breakdown 37 Missing and/or incorrect documents 38 New delivery arrangements 41 Not loaded 43 Package not ready 47 Payment refused

No = Consecutive segment number
 MaxOcc = Maximum occurrence of the segment/group
 Counter = Counter of segment/group within the standard

St = Status
 EDIFACT: M=Mandatory, C=Conditional
 User specific: R=Required, O=Optional, D=Dependent,
 A=Advised, N=Not used



Standard			Implementation	
Tag	Name	St Format	St Format	Usage / Remark
				49 Refused without reason given 60 Unacceptable condition 62 Unknown 63 Weather conditions 108 Goods not barcoded Z1 Delivered without signature Z2 Handled by driver without scanner Z3 Queue at customer/Congestion Z5 Photo taken Z14 Damaged packaging Z4 Authorized site - ID not scanned
1131	Code list identification code	C an..17	N	
3055	Code list responsible agency code	C an..3	N	
9012	Status reason description	C an..256	N	
C556	Status reason	C	C	
9013	Status reason description code	M an..3	M an..3	List of valid codes 5 Appointment scheduled 6 Attempt unsuccessful 8 Changed schedule 14 Damaged 19 Discrepancy 30 Incorrect address 35 Mechanical breakdown 37 Missing and/or incorrect documents 38 New delivery arrangements 41 Not loaded 43 Package not ready 47 Payment refused 49 Refused without reason given 60 Unacceptable condition 62 Unknown 63 Weather conditions 108 Goods not barcoded Z1 Delivered without signature Z2 Handled by driver without scanner Z3 Queue at customer/Congestion Z5 Photo taken Z14 Damaged packaging Z4 Authorized site - ID not scanned
1131	Code list identification code	C an..17	N	
3055	Code list responsible agency code	C an..3	N	
9012	Status reason description	C an..256	N	
C556	Status reason	C	C	
9013	Status reason description code	M an..3	M an..3	List of valid codes 5 Appointment scheduled 6 Attempt unsuccessful 8 Changed schedule 14 Damaged 19 Discrepancy

No = Consecutive segment number
 MaxOcc = Maximum occurrence of the segment/group
 Counter = Counter of segment/group within the standard

St = Status
 EDIFACT: M=Mandatory, C=Conditional
 User specific: R=Required, O=Optional, D=Dependent,
 A=Advised, N=Not used



		Standard	Implementation	
Tag	Name	St Format	St Format	Usage / Remark
				30 Incorrect address 35 Mechanical breakdown 37 Missing and/or incorrect documents 38 New delivery arrangements 41 Not loaded 43 Package not ready 47 Payment refused 49 Refused without reason given 60 Unacceptable condition 62 Unknown 63 Weather conditions 108 Goods not barcoded Z1 Delivered without signature Z2 Handled by driver without scanner Z3 Queue at customer/Congestion Z5 Photo taken Z14 Damaged packaging Z4 Authorized site - ID not scanned
1131	Code list identification code	C an..17	N	
3055	Code list responsible agency code	C an..3	N	
9012	Status reason description	C an..256	N	
C556	Status reason	C	C	
9013	Status reason description code	M an..3	M an..3	
				List of valid codes 5 Appointment scheduled 6 Attempt unsuccessful 8 Changed schedule 14 Damaged 19 Discrepancy 30 Incorrect address 35 Mechanical breakdown 37 Missing and/or incorrect documents 38 New delivery arrangements 41 Not loaded 43 Package not ready 47 Payment refused 49 Refused without reason given 60 Unacceptable condition 62 Unknown 63 Weather conditions 108 Goods not barcoded Z1 Delivered without signature Z2 Handled by driver without scanner Z3 Queue at customer/Congestion Z5 Photo taken Z14 Damaged packaging Z4 Authorized site - ID not scanned
1131	Code list identification code	C an..17	N	
3055	Code list responsible agency code	C an..3	N	
9012	Status reason description	C an..256	N	
C556	Status reason	C	N	
9013	Status reason description code	M an..3	N	

No = Consecutive segment number
 MaxOcc = Maximum occurrence of the segment/group
 Counter = Counter of segment/group within the standard

St = Status
 EDIFACT: M=Mandatory, C=Conditional
 User specific: R=Required, O=Optional, D=Dependent,
 A=Advised, N=Not used



		Standard	Implementation	
Tag	Name	St Format	St Format	Usage / Remark
1131	Code list identification code	C an..17	N	
3055	Code list responsible agency code	C an..3	N	
9012	Status reason description	C an..256	N	

Segment Remarks:

General Notes

If the message is on shipment level:

The STS segment can be repeated if there are different status reason codes for the items on the shipment. The item related to the status code will then be presented in connection with the STS that is relevant. As a result, there will not be one STS segment per item when the status is on the shipment level. Instead, the items will be grouped together under the reported status code.

If the status is on the item level:

There will be one STS segment per item.

Code ZCN is used to indicate status on shipment level.

Code ZGI is used to indicate status on item level.

Message example:

STS+ZCN+Z1+5+14+Z14+Z5'

STS+ZGI+Z13+6+60+62+63'

Example:

STS+ZCN+Z1+5+8+38+108'

No = Consecutive segment number
 MaxOcc = Maximum occurrence of the segment/group
 Counter = Counter of segment/group within the standard

St = Status
 EDIFACT: M=Mandatory, C=Conditional
 User specific: R=Required, O=Optional, D=Dependent,
 A=Advised, N=Not used



Counter	No	Tag	St	MaxOcc	Level	Name	
	0540	SG14	M	99	2	STS-RFF-DTM-FTX-SG15-LOC-SG17-SG23	
	0560	16	RFF	R	999	3	REFERENCE

Standard			Implementation	
Tag	Name	St Format	St Format	Usage / Remark
RFF				
C506	Reference	M	M	
1153	Reference code qualifier	M an..3	M an..3	
				List of valid codes
				BN Consignment identifier, carrier assigned
1154	Reference identifier	C an..70	M an..70	
1156	Document line identifier	C an..6	N	
1056	Version identifier	C an..9	N	
1060	Revision identifier	C an..6	N	

Segment Remarks:

General Notes

Status messages might have additional references that are agreed to be sent out.

Due to the complex RFF logic the complete RFF with all elements are in the specification copied and repeated. Once per qualifier to be mapped for BN, AAS, SRN and AAM + logic for adding any reference where the value picked from the code table XXX. Several occurrences of RFF+CU, RFF+ZCU and RFF+AAO is possible, but only unique values will be sent out.

Message examples:

RFF+AAM:401123456789987654321'
 RFF+AAO:AA89723'
 RFF+AAO:AB53278'
 RFF+AAS:1234567890'
 RFF+ASI:SS100001'
 RFF+BN:ABCDE-12345'
 RFF+CU:DSV12345'
 RFF+CU:DSV67890'
 RFF+SRN:570123456789901123'
 RFF+ZAD:SS100001'
 RFF+ZTF:9F'
 RFF+ZCU:DSV55894'

Example:

RFF+BN:ABC-123456'

No = Consecutive segment number
 MaxOcc = Maximum occurrence of the segment/group
 Counter = Counter of segment/group within the standard

St = Status
 EDIFACT: M=Mandatory, C=Conditional
 User specific: R=Required, O=Optional, D=Dependent,
 A=Advised, N=Not used



Counter	No	Tag	St	MaxOcc	Level	Name
0540		SG14	M	99	2	STS-RFF-DTM-FTX-SG15-LOC-SG17-SG23
0560	17	RFF	R	999	3	REFERENCE

Standard			Implementation	
Tag	Name	St Format	St Format	Usage / Remark
RFF				
C506	Reference	M	M	
1153	Reference code qualifier	M an..3	M an..3	List of valid codes ZTF Transfer Number
1154	Reference identifier	C an..70	M an..70	
1156	Document line identifier	C an..6	N	
1056	Version identifier	C an..9	N	
1060	Revision identifier	C an..6	N	

Segment Remarks:

General Notes

Please refer to General Notes for the first RFF segment instance.

Example:

RFF+ZTF:9F'

No = Consecutive segment number
 MaxOcc = Maximum occurrence of the segment/group
 Counter = Counter of segment/group within the standard

St = Status
 EDIFACT: M=Mandatory, C=Conditional
 User specific: R=Required, O=Optional, D=Dependent,
 A=Advised, N=Not used



Counter	No	Tag	St	MaxOcc	Level	Name
0540		SG14	M	99	2	STS-RFF-DTM-FTX-SG15-LOC-SG17-SG23
0560	18	RFF	R	999	3	REFERENCE

Standard			Implementation	
Tag	Name	St Format	St Format	Usage / Remark
RFF				
C506	Reference	M	M	
1153	Reference code qualifier	M an..3	M an..3	List of valid codes CU Consignment identifier, consignor assigned
1154	Reference identifier	C an..70	M an..70	
1156	Document line identifier	C an..6	N	
1056	Version identifier	C an..9	N	
1060	Revision identifier	C an..6	N	

Segment Remarks:

General Notes

Please refer to General Notes for the first RFF segment instance.

Example:

RFF+CU:DSV12345'

No = Consecutive segment number
 MaxOcc = Maximum occurrence of the segment/group
 Counter = Counter of segment/group within the standard

St = Status
 EDIFACT: M=Mandatory, C=Conditional
 User specific: R=Required, O=Optional, D=Dependent,
 A=Advised, N=Not used



Counter	No	Tag	St	MaxOcc	Level	Name
0540		SG14	M	99	2	STS-RFF-DTM-FTX-SG15-LOC-SG17-SG23
0560	19	RFF	R	999	3	REFERENCE

Standard			Implementation	
Tag	Name	St Format	St Format	Usage / Remark
RFF				
C506	Reference	M	M	
1153	Reference code qualifier	M an..3	M an..3	List of valid codes AAO Consignment identifier, consignee assigned
1154	Reference identifier	C an..70	M an..70	
1156	Document line identifier	C an..6	N	
1056	Version identifier	C an..9	N	
1060	Revision identifier	C an..6	N	

Segment Remarks:

General Notes

Please refer to General Notes for the first RFF segment instance.

Example:

RFF+AAO:DSV12345'

No = Consecutive segment number
 MaxOcc = Maximum occurrence of the segment/group
 Counter = Counter of segment/group within the standard

St = Status
 EDIFACT: M=Mandatory, C=Conditional
 User specific: R=Required, O=Optional, D=Dependent,
 A=Advised, N=Not used



Counter	No	Tag	St	MaxOcc	Level	Name
0540		SG14	M	99	2	STS-RFF-DTM-FTX-SG15-LOC-SG17-SG23
0560	20	RFF	R	999	3	REFERENCE

Standard			Implementation	
Tag	Name	St Format	St Format	Usage / Remark
RFF				
C506	Reference	M	M	
1153	Reference code qualifier	M an..3	M an..3	List of valid codes AAS Transport contract document identifier
1154	Reference identifier	C an..70	M an..70	
1156	Document line identifier	C an..6	N	
1056	Version identifier	C an..9	N	
1060	Revision identifier	C an..6	N	

Segment Remarks:

General Notes

General Notes

AAS is used in Sweden and contains Swedish SIS waybill number. Also used as a unique booking reference for bookings via DSV e-services and MyDSV.

Please refer to General Notes for the first RFF segment instance.

Example:

RFF+AAS:1234567890'

No = Consecutive segment number
 MaxOcc = Maximum occurrence of the segment/group
 Counter = Counter of segment/group within the standard

St = Status
 EDIFACT: M=Mandatory, C=Conditional
 User specific: R=Required, O=Optional, D=Dependent,
 A=Advised, N=Not used



Counter	No	Tag	St	MaxOcc	Level	Name
0540		SG14	M	99	2	STS-RFF-DTM-FTX-SG15-LOC-SG17-SG23
0560	21	RFF	R	999	3	REFERENCE

Standard			Implementation	
Tag	Name	St Format	St Format	Usage / Remark
RFF				
C506	Reference	M	M	
1153	Reference code qualifier	M an..3	M an..3	List of valid codes SRN Shipment reference number
1154	Reference identifier	C an..70	M an..70	
1156	Document line identifier	C an..6	N	
1056	Version identifier	C an..9	N	
1060	Revision identifier	C an..6	N	

Segment Remarks:

General Notes

General Notes

SRN is used for GS1 code reference numbers, 17 characters long.
Please refer to General Notes for the first RFF segment instance.

Example:

RFF+SRN:570123456789901123'

No = Consecutive segment number
MaxOcc = Maximum occurrence of the segment/group
Counter = Counter of segment/group within the standard

St = Status
EDIFACT: M=Mandatory, C=Conditional
User specific: R=Required, O=Optional, D=Dependent,
A=Advised, N=Not used



Counter	No	Tag	St	MaxOcc	Level	Name
0540		SG14	M	99	2	STS-RFF-DTM-FTX-SG15-LOC-SG17-SG23
0560	22	RFF	R	999	3	REFERENCE

Standard			Implementation	
Tag	Name	St Format	St Format	Usage / Remark
RFF				
C506	Reference	M	M	
1153	Reference code qualifier	M an..3	M an..3	List of valid codes AAM Waybill number
1154	Reference identifier	C an..70	M an..70	
1156	Document line identifier	C an..6	N	
1056	Version identifier	C an..9	N	
1060	Revision identifier	C an..6	N	

Segment Remarks:

General Notes

General Notes

AAM is only used in Norwegian traffic and contains Norwegian consignment number. Please refer to General Notes for the first RFF segment instance.

Example:

RFF+AAM:401123456789987654321'

No = Consecutive segment number
 MaxOcc = Maximum occurrence of the segment/group
 Counter = Counter of segment/group within the standard

St = Status
 EDIFACT: M=Mandatory, C=Conditional
 User specific: R=Required, O=Optional, D=Dependent,
 A=Advised, N=Not used



Counter	No	Tag	St	MaxOcc	Level	Name
0540		SG14	M	99	2	STS-RFF-DTM-FTX-SG15-LOC-SG17-SG23
0560	23	RFF	R	999	3	REFERENCE

Standard			Implementation	
Tag	Name	St Format	St Format	Usage / Remark
RFF				
C506	Reference	M	M	
1153	Reference code qualifier	M an..3	M an..3	List of valid codes ASI Proof of delivery reference number
1154	Reference identifier	C an..70	M an..70	
1156	Document line identifier	C an..6	N	
1056	Version identifier	C an..9	N	
1060	Revision identifier	C an..6	N	

Segment Remarks:

General Notes

General Notes

ASI Authority Site ID - Mobilscanned reference
Please refer to General Notes for the first RFF segment instance.

Example:

RFF+ASI:ABC123456'

No = Consecutive segment number
MaxOcc = Maximum occurrence of the segment/group
Counter = Counter of segment/group within the standard

St = Status
EDIFACT: M=Mandatory, C=Conditional
User specific: R=Required, O=Optional, D=Dependent,
A=Advised, N=Not used



Counter	No	Tag	St	MaxOcc	Level	Name
0540		SG14	M	99	2	STS-RFF-DTM-FTX-SG15-LOC-SG17-SG23
0560	24	RFF	R	999	3	REFERENCE

Standard			Implementation	
Tag	Name	St Format	St Format	Usage / Remark
RFF				
C506	Reference	M	M	
1153	Reference code qualifier	M an..3	M an..3	List of valid codes BH House bill of lading number
1154	Reference identifier	C an..70	M an..70	
1156	Document line identifier	C an..6	N	
1056	Version identifier	C an..9	N	
1060	Revision identifier	C an..6	N	

Segment Remarks:

Example:

RFF+BH:ABC-123456'

No = Consecutive segment number
 MaxOcc = Maximum occurrence of the segment/group
 Counter = Counter of segment/group within the standard

St = Status
 EDIFACT: M=Mandatory, C=Conditional
 User specific: R=Required, O=Optional, D=Dependent,
 A=Advised, N=Not used



Counter	No	Tag	St	MaxOcc	Level	Name
0540		SG14	M	99	2	STS-RFF-DTM-FTX-SG15-LOC-SG17-SG23
0560	25	RFF	R	999	3	REFERENCE

Standard			Implementation	
Tag	Name	St Format	St Format	Usage / Remark
RFF				
C506	Reference	M	M	
1153	Reference code qualifier	M an..3	M an..3	List of valid codes ZCU Consignment identifier (DSV assigned qualifier)
1154	Reference identifier	C an..70	M an..70	
1156	Document line identifier	C an..6	N	
1056	Version identifier	C an..9	N	
1060	Revision identifier	C an..6	N	

Segment Remarks:

General Notes

Please refer to General Notes for the first RFF segment instance.

Example:

RFF+ZCU:DSV12345'

No = Consecutive segment number
 MaxOcc = Maximum occurrence of the segment/group
 Counter = Counter of segment/group within the standard

St = Status
 EDIFACT: M=Mandatory, C=Conditional
 User specific: R=Required, O=Optional, D=Dependent,
 A=Advised, N=Not used



Counter	No	Tag	St	MaxOcc	Level	Name
0540		SG14	M	99	2	STS-RFF-DTM-FTX-SG15-LOC-SG17-SG23
0570	26	DTM	C	9	3	DATE TIME PERIOD

		Standard	Implementation	
Tag	Name	St Format	St Format	Usage / Remark
DTM				
C507	Date/time/period	M	M	
2005	Date or time or period function code qualifier	M an..3	M an..3	List of valid codes 334 Status change date/time
2380	Date or time or period text	C an..35	M an..35	
2379	Date or time or period format code	C an..3	C an..3	List of valid codes 203 CCYYMMDDHHMM

Segment Remarks:

General Notes

Message example:

DTM+334:201812121020:203'

Example:

DTM+334:202112121020:203'

No = Consecutive segment number
 MaxOcc = Maximum occurrence of the segment/group
 Counter = Counter of segment/group within the standard

St = Status
 EDIFACT: M=Mandatory, C=Conditional
 User specific: R=Required, O=Optional, D=Dependent,
 A=Advised, N=Not used



Counter	No	Tag	St	MaxOcc	Level	Name
0540		SG14	M	99	2	STS-RFF-DTM-FTX-SG15-LOC-SG17-SG23
0590	27	FTX	C	9	3	FREE TEXT

		Standard	Implementation	
Tag	Name	St Format	St Format	Usage / Remark
FTX				
4451	Text subject code qualifier	M an..3	M an..3	General Notes Qualifier AHN is used for remarks connected to the status. Qualifier ADT is used for POD links. Additional qualifiers to be agreed. List of valid codes ADT Source of document AHN Status details
4453	Free text function code	C an..3	N	
C107	Text reference	C	N	
4441	Free text description code	M an..17	N	
1131	Code list identification code	C an..17	N	
3055	Code list responsible agency code	C an..3	N	
C108	Text literal	C	C	
4440	Free text	M an..512	M an..512	
4440	Free text	C an..512	C an..512	
4440	Free text	C an..512	C an..512	
4440	Free text	C an..512	C an..512	
4440	Free text	C an..512	C an..512	
3453	Language name code	C an..3	N	
4447	Free text format code	C an..3	N	

Segment Remarks:

General Notes

General Notes

Possible remarks listed in connection to the status. Requires special agreement.
 The qualifier ADT is used for POD links.

Message example:

FTX+AHN+++collect remarks1 collect remark2 collect remark333'

IFTSTA with url to the POD can be setup after agreement. The actual url will be present in FTX SG14/C108.4440. In the example below the url is modified for customer non-disclosure:

FTX+ADT+++http?://appservices.dsv.net/ImageService/GetImage/xxxxxxxx-xxxx-xxxx-xxxx-xxxxxxxxxxxxxxx'

Example:

FTX+AHN+++Collect remarks1:2:3:4:5'

No = Consecutive segment number
 MaxOcc = Maximum occurrence of the segment/group
 Counter = Counter of segment/group within the standard

St = Status
 EDIFACT: M=Mandatory, C=Conditional
 User specific: R=Required, O=Optional, D=Dependent,
 A=Advised, N=Not used



Counter	No	Tag	St	MaxOcc	Level	Name	
	0600	SG15	C	9	3	NAD-SG16	
	0610	28	NAD	M	1	3	NAME AND ADDRESS

Standard			Implementation	
Tag	Name	St Format	St Format	Usage / Remark
NAD				
3035	Party function code qualifier	M an..3	M an..3	List of valid codes AP Accepting party
C082	Party identification details	C	N	
3039	Party identifier	M an..35	N	
1131	Code list identification code	C an..17	N	
3055	Code list responsible agency code	C an..3	N	
C058	Name and address	C	N	
3124	Name and address description	M an..35	N	
3124	Name and address description	C an..35	N	
3124	Name and address description	C an..35	N	
3124	Name and address description	C an..35	N	
3124	Name and address description	C an..35	N	
C080	Party name	C	N	
3036	Party name	M an..70	N	
3036	Party name	C an..70	N	
3036	Party name	C an..70	N	
3036	Party name	C an..70	N	
3036	Party name	C an..70	N	
3045	Party name format code	C an..3	N	
C059	Street	C	N	
3042	Street and number or post office box identifier	M an..35	N	
3042	Street and number or post office box identifier	C an..35	N	
3042	Street and number or post office box identifier	C an..35	N	
3042	Street and number or post office box identifier	C an..35	N	
3164	City name	C an..35	N	
C819	Country subdivision details	C	N	
3229	Country subdivision identifier	C an..9	N	
1131	Code list identification code	C an..17	N	
3055	Code list responsible agency code	C an..3	N	
3228	Country subdivision name	C an..70	N	
3251	Postal identification code	C an..17	N	
3207	Country identifier	C an..3	N	

Segment Remarks:

General Notes

NAD with qualifier AP used to provide signature information regarding the person who signed for the goods at final delivery. The name is

No = Consecutive segment number
 MaxOcc = Maximum occurrence of the segment/group
 Counter = Counter of segment/group within the standard

St = Status
 EDIFACT: M=Mandatory, C=Conditional
 User specific: R=Required, O=Optional, D=Dependent,
 A=Advised, N=Not used



presented in the CTA segment.

Message examples:
NAD+AP'

Example:
NAD+AP'

No = Consecutive segment number
MaxOcc = Maximum occurrence of the segment/group
Counter = Counter of segment/group within the standard

St = Status
EDIFACT: M=Mandatory, C=Conditional
User specific: R=Required, O=Optional, D=Dependent,
A=Advised, N=Not used



Counter	No	Tag	St	MaxOcc	Level	Name
0620		SG16	C	9	4	CTA
0630	29	CTA	M	1	4	CONTACT INFORMATION

Standard			Implementation	
Tag	Name	St Format	St Format	Usage / Remark
CTA				
3139	Contact function code	C an..3	C an..3	<p>List of valid codes</p> <p>GR Goods receiving contact</p>
C056	Contact details	C	C	
3413	Contact identifier	C an..17	N	
3412	Contact name	C an..256	C an..256	<p>GeneralNotes</p> <p>The name of the accepting party placed in the CTA segment element 3412.</p>

Segment Remarks:

General Notes

Message example:
CTA+GR+:DRIVER'

Example:

CTA+GR+:DRIVER'

No = Consecutive segment number
 MaxOcc = Maximum occurrence of the segment/group
 Counter = Counter of segment/group within the standard

St = Status
 EDIFACT: M=Mandatory, C=Conditional
 User specific: R=Required, O=Optional, D=Dependent,
 A=Advised, N=Not used



Counter	No	Tag	St	MaxOcc	Level	Name	
	0600	SG15	C	9	3	NAD	
	0610	30	NAD	M	1	3	NAME AND ADDRESS

Standard			Implementation	
Tag	Name	St Format	St Format	Usage / Remark
NAD				
3035	Party function code qualifier	M an..3	M an..3	List of valid codes CZ Consignor
C082	Party identification details	C	C	
3039	Party identifier	M an..35	M an..35	
1131	Code list identification code	C an..17	N	
3055	Code list responsible agency code	C an..3	N	
C058	Name and address	C	C	
3124	Name and address description	M an..35	N	
3124	Name and address description	C an..35	N	
3124	Name and address description	C an..35	N	
3124	Name and address description	C an..35	N	
3124	Name and address description	C an..35	N	
C080	Party name	C	C	
3036	Party name	M an..70	M an..70	
3036	Party name	C an..70	C an..70	
3036	Party name	C an..70	N	
3036	Party name	C an..70	N	
3036	Party name	C an..70	N	
3045	Party name format code	C an..3	N	
C059	Street	C	C	
3042	Street and number or post office box identifier	M an..35	M an..35	
3042	Street and number or post office box identifier	C an..35	C an..35	
3042	Street and number or post office box identifier	C an..35	C an..35	
3042	Street and number or post office box identifier	C an..35	N	
3164	City name	C an..35	C an..35	
C819	Country subdivision details	C	C	
3229	Country subdivision identifier	C an..9	C an..9	
1131	Code list identification code	C an..17	N	
3055	Code list responsible agency code	C an..3	N	
3228	Country subdivision name	C an..70	N	
3251	Postal identification code	C an..17	C an..17	
3207	Country identifier	C an..3	C an..3	

Segment Remarks:

General Notes

NAD with qualifier CZ - Consignor party. This value present in connection with the consignor statuses.

No = Consecutive segment number
 MaxOcc = Maximum occurrence of the segment/group
 Counter = Counter of segment/group within the standard

St = Status
 EDIFACT: M=Mandatory, C=Conditional
 User specific: R=Required, O=Optional, D=Dependent,
 A=Advised, N=Not used



Message examples:

NAD+CZ+1234567890++Consignor+.-West street 10:Second street at left+CITY++12345+XX'

Example:

NAD+CZ+1234567890++Consignor Name+West street 10:Second street at left+CITY+State+123 45+US'

No = Consecutive segment number
MaxOcc = Maximum occurrence of the segment/group
Counter = Counter of segment/group within the standard

St = Status
EDIFACT: M=Mandatory, C=Conditional
User specific: R=Required, O=Optional, D=Dependent,
A=Advised, N=Not used



Counter	No	Tag	St	MaxOcc	Level	Name	
	0600	SG15	C	9	3	NAD	
	0610	31	NAD	M	1	3	NAME AND ADDRESS

Standard			Implementation	
Tag	Name	St Format	St Format	Usage / Remark
NAD				
3035	Party function code qualifier	M an..3	M an..3	List of valid codes CN Consignee
C082	Party identification details	C	C	
3039	Party identifier	M an..35	M an..35	
1131	Code list identification code	C an..17	N	
3055	Code list responsible agency code	C an..3	N	
C058	Name and address	C	N	
3124	Name and address description	M an..35	N	
3124	Name and address description	C an..35	N	
3124	Name and address description	C an..35	N	
3124	Name and address description	C an..35	N	
3124	Name and address description	C an..35	N	
C080	Party name	C	C	
3036	Party name	M an..70	M an..70	
3036	Party name	C an..70	C an..70	
3036	Party name	C an..70	N	
3036	Party name	C an..70	N	
3036	Party name	C an..70	N	
3045	Party name format code	C an..3	N	
C059	Street	C	C	
3042	Street and number or post office box identifier	M an..35	M an..35	
3042	Street and number or post office box identifier	C an..35	C an..35	
3042	Street and number or post office box identifier	C an..35	C an..35	
3042	Street and number or post office box identifier	C an..35	N	
3164	City name	C an..35	C an..35	
C819	Country subdivision details	C	C	
3229	Country subdivision identifier	C an..9	C an..9	
1131	Code list identification code	C an..17	N	
3055	Code list responsible agency code	C an..3	N	
3228	Country subdivision name	C an..70	N	
3251	Postal identification code	C an..17	C an..17	
3207	Country identifier	C an..3	C an..3	

Segment Remarks:

General Notes

NAD with qualifier CN - Consignee party. This value present in connection with the consignee statuses.

No = Consecutive segment number
 MaxOcc = Maximum occurrence of the segment/group
 Counter = Counter of segment/group within the standard

St = Status
 EDIFACT: M=Mandatory, C=Conditional
 User specific: R=Required, O=Optional, D=Dependent,
 A=Advised, N=Not used



Message examples:

NAD+CN+1234567890++CONSIGNEE+East street 10:Warehouse 5+CITY++12345+XX'

Example:

NAD+CN+1234567890++Consignee+East street 10:Warehouse 5+CITY+State+12345+US'

No = Consecutive segment number
MaxOcc = Maximum occurrence of the segment/group
Counter = Counter of segment/group within the standard

St = Status
EDIFACT: M=Mandatory, C=Conditional
User specific: R=Required, O=Optional, D=Dependent,
A=Advised, N=Not used



Counter	No	Tag	St	MaxOcc	Level	Name	
	0600	SG15	C	9	3	NAD	
	0610	32	NAD	M	1	3	NAME AND ADDRESS

Standard			Implementation	
Tag	Name	St Format	St Format	Usage / Remark
NAD				
3035	Party function code qualifier	M an..3	M an..3	List of valid codes DP Delivery party
C082	Party identification details	C	C	
3039	Party identifier	M an..35	M an..35	
1131	Code list identification code	C an..17	N	
3055	Code list responsible agency code	C an..3	N	
C058	Name and address	C	N	
3124	Name and address description	M an..35	N	
3124	Name and address description	C an..35	N	
3124	Name and address description	C an..35	N	
3124	Name and address description	C an..35	N	
3124	Name and address description	C an..35	N	
C080	Party name	C	C	
3036	Party name	M an..70	M an..70	
3036	Party name	C an..70	C an..70	
3036	Party name	C an..70	N	
3036	Party name	C an..70	N	
3036	Party name	C an..70	N	
3045	Party name format code	C an..3	N	
C059	Street	C	C	
3042	Street and number or post office box identifier	M an..35	M an..35	
3042	Street and number or post office box identifier	C an..35	C an..35	
3042	Street and number or post office box identifier	C an..35	C an..35	
3042	Street and number or post office box identifier	C an..35	N	
3164	City name	C an..35	C an..35	
C819	Country subdivision details	C	C	
3229	Country subdivision identifier	C an..9	C an..9	
1131	Code list identification code	C an..17	N	
3055	Code list responsible agency code	C an..3	N	
3228	Country subdivision name	C an..70	N	
3251	Postal identification code	C an..17	C an..17	
3207	Country identifier	C an..3	C an..3	

Segment Remarks:

General Notes

NAD with qualifier DP - Delivery party. This value present in connection with the delivery statuses.

No = Consecutive segment number
 MaxOcc = Maximum occurrence of the segment/group
 Counter = Counter of segment/group within the standard

St = Status
 EDIFACT: M=Mandatory, C=Conditional
 User specific: R=Required, O=Optional, D=Dependent,
 A=Advised, N=Not used



Message examples:

NAD+DP+1234567890++Delivery party+North avenue 10:Warehouse 4:+CITY++12345+XX'

Example:

NAD+DP+1234567890++Delivery party+North avenue 10:Warehouse 4+CITY+State+12345+US'

No = Consecutive segment number
MaxOcc = Maximum occurrence of the segment/group
Counter = Counter of segment/group within the standard

St = Status
EDIFACT: M=Mandatory, C=Conditional
User specific: R=Required, O=Optional, D=Dependent,
A=Advised, N=Not used



Counter	No	Tag	St	MaxOcc	Level	Name	
	0600	SG15	C	9	3	NAD	
	0610	33	NAD	M	1	3	NAME AND ADDRESS

Standard			Implementation	
Tag	Name	St Format	St Format	Usage / Remark
NAD				
3035	Party function code qualifier	M an..3	M an..3	List of valid codes PW Despatch party
C082	Party identification details	C	C	
3039	Party identifier	M an..35	M an..35	
1131	Code list identification code	C an..17	N	
3055	Code list responsible agency code	C an..3	N	
C058	Name and address	C	N	
3124	Name and address description	M an..35	N	
3124	Name and address description	C an..35	N	
3124	Name and address description	C an..35	N	
3124	Name and address description	C an..35	N	
3124	Name and address description	C an..35	N	
C080	Party name	C	C	
3036	Party name	M an..70	M an..70	
3036	Party name	C an..70	C an..70	
3036	Party name	C an..70	N	
3036	Party name	C an..70	N	
3036	Party name	C an..70	N	
3045	Party name format code	C an..3	N	
C059	Street	C	C	
3042	Street and number or post office box identifier	M an..35	M an..35	
3042	Street and number or post office box identifier	C an..35	C an..35	
3042	Street and number or post office box identifier	C an..35	C an..35	
3042	Street and number or post office box identifier	C an..35	N	
3164	City name	C an..35	C an..35	
C819	Country subdivision details	C	C	
3229	Country subdivision identifier	C an..9	C an..9	
1131	Code list identification code	C an..17	N	
3055	Code list responsible agency code	C an..3	N	
3228	Country subdivision name	C an..70	N	
3251	Postal identification code	C an..17	C an..17	
3207	Country identifier	C an..3	C an..3	

Segment Remarks:

General Notes

NAD with qualifier PW- Pickup address. This value present in connection with the Collection status.

No = Consecutive segment number
 MaxOcc = Maximum occurrence of the segment/group
 Counter = Counter of segment/group within the standard

St = Status
 EDIFACT: M=Mandatory, C=Conditional
 User specific: R=Required, O=Optional, D=Dependent,
 A=Advised, N=Not used



Message examples:

NAD+PW+1234567890++Pickup party+South street 20:Administration:+CITY++12345+XX'

Example:

NAD+PW+++Pickup party+South street 20:Administration+CITY+State+12345+US'

No = Consecutive segment number
MaxOcc = Maximum occurrence of the segment/group
Counter = Counter of segment/group within the standard

St = Status
EDIFACT: M=Mandatory, C=Conditional
User specific: R=Required, O=Optional, D=Dependent,
A=Advised, N=Not used



Counter	No	Tag	St	MaxOcc	Level	Name	
	0600	SG15	C	9	3	NAD	
	0610	34	NAD	M	1	3	NAME AND ADDRESS

Standard			Implementation	
Tag	Name	St Format	St Format	Usage / Remark
NAD				
3035	Party function code qualifier	M an..3	M an..3	List of valid codes ST Ship to
C082	Party identification details	C	C	
3039	Party identifier	M an..35	M an..35	
1131	Code list identification code	C an..17	N	
3055	Code list responsible agency code	C an..3	N	
C058	Name and address	C	N	
3124	Name and address description	M an..35	N	
3124	Name and address description	C an..35	N	
3124	Name and address description	C an..35	N	
3124	Name and address description	C an..35	N	
3124	Name and address description	C an..35	N	
C080	Party name	C	N	
3036	Party name	M an..70	N	
3036	Party name	C an..70	N	
3036	Party name	C an..70	N	
3036	Party name	C an..70	N	
3036	Party name	C an..70	N	
3045	Party name format code	C an..3	N	
C059	Street	C	N	
3042	Street and number or post office box identifier	M an..35	N	
3042	Street and number or post office box identifier	C an..35	N	
3042	Street and number or post office box identifier	C an..35	N	
3042	Street and number or post office box identifier	C an..35	N	
3164	City name	C an..35	N	
C819	Country subdivision details	C	N	
3229	Country subdivision identifier	C an..9	N	
1131	Code list identification code	C an..17	N	
3055	Code list responsible agency code	C an..3	N	
3228	Country subdivision name	C an..70	N	
3251	Postal identification code	C an..17	N	
3207	Country identifier	C an..3	N	

Segment Remarks:

General Notes

NAD with qualifier ST used in combination with the statuses Arrived and Delivered as then the location shipped to.

No = Consecutive segment number
 MaxOcc = Maximum occurrence of the segment/group
 Counter = Counter of segment/group within the standard

St = Status
 EDIFACT: M=Mandatory, C=Conditional
 User specific: R=Required, O=Optional, D=Dependent,
 A=Advised, N=Not used



Message examples:
NAD+ST+123456'

Example:
NAD+ST+123456'

No = Consecutive segment number
MaxOcc = Maximum occurrence of the segment/group
Counter = Counter of segment/group within the standard

St = Status
EDIFACT: M=Mandatory, C=Conditional
User specific: R=Required, O=Optional, D=Dependent,
A=Advised, N=Not used



Counter	No	Tag	St	MaxOcc	Level	Name	
	0600	SG15	C	9	3	NAD	
	0610	35	NAD	M	1	3	NAME AND ADDRESS

Standard			Implementation	
Tag	Name	St Format	St Format	Usage / Remark
NAD				
3035	Party function code qualifier	M an..3	M an..3	List of valid codes SF Ship from
C082	Party identification details	C	C	
3039	Party identifier	M an..35	M an..35	
1131	Code list identification code	C an..17	N	
3055	Code list responsible agency code	C an..3	N	
C058	Name and address	C	N	
3124	Name and address description	M an..35	N	
3124	Name and address description	C an..35	N	
3124	Name and address description	C an..35	N	
3124	Name and address description	C an..35	N	
3124	Name and address description	C an..35	N	
C080	Party name	C	N	
3036	Party name	M an..70	N	
3036	Party name	C an..70	N	
3036	Party name	C an..70	N	
3036	Party name	C an..70	N	
3036	Party name	C an..70	N	
3045	Party name format code	C an..3	N	
C059	Street	C	N	
3042	Street and number or post office box identifier	M an..35	N	
3042	Street and number or post office box identifier	C an..35	N	
3042	Street and number or post office box identifier	C an..35	N	
3042	Street and number or post office box identifier	C an..35	N	
3164	City name	C an..35	N	
C819	Country subdivision details	C	N	
3229	Country subdivision identifier	C an..9	N	
1131	Code list identification code	C an..17	N	
3055	Code list responsible agency code	C an..3	N	
3228	Country subdivision name	C an..70	N	
3251	Postal identification code	C an..17	N	
3207	Country identifier	C an..3	N	

Segment Remarks:

General Notes

NAD with qualifier SF used in combination with the status Collected and Departed as it is then the location shipped from.

No = Consecutive segment number
 MaxOcc = Maximum occurrence of the segment/group
 Counter = Counter of segment/group within the standard

St = Status
 EDIFACT: M=Mandatory, C=Conditional
 User specific: R=Required, O=Optional, D=Dependent,
 A=Advised, N=Not used



Message examples:
NAD+SF+789456'

Example:
NAD+SF+789456'

No = Consecutive segment number
MaxOcc = Maximum occurrence of the segment/group
Counter = Counter of segment/group within the standard

St = Status
EDIFACT: M=Mandatory, C=Conditional
User specific: R=Required, O=Optional, D=Dependent,
A=Advised, N=Not used



Counter	No	Tag	St	MaxOcc	Level	Name
0540		SG14	M	99	2	STS-RFF-DTM-FTX-SG15-LOC-SG17-SG23
0650	36	LOC	M	1	3	PLACE LOCATION IDENTIFICATION

Standard			Implementation	
Tag	Name	St Format	St Format	Usage / Remark
LOC				
3227	Location function code qualifier	M an..3	M an..3	General Notes Place of registration, if LOC 3227 is "89" and LOC C519.3223 is used, then this will be used for GPS Longitude coordinates. If LOC 3227 is "89" and LOC C553.3233 is used, then this will be used for GPS Latitude coordinates. If LOC 3227 is "Z01" no GPS coordinates will be present. List of valid codes Z01 Status Location 89 Place of registration
C517	Location identification	C	C	
3225	Location identifier	C an..35	M an..35	
1131	Code list identification code	C an..17	N	
3055	Code list responsible agency code	C an..3	C an..3	List of valid codes 6 UN/ECE (United Nations - Economic Commission for Europe)
3224	Location name	C an..256	M an..256	
C519	Related location one identification	C	C	
3223	First related location identifier	C an..35	C an..35	
1131	Code list identification code	C an..17	N	
3055	Code list responsible agency code	C an..3	N	
3222	First related location name	C an..70	N	
C553	Related location two identification	C	C	
3233	Second related location identifier	C an..35	C an..35	
1131	Code list identification code	C an..17	N	
3055	Code list responsible agency code	C an..3	N	
3232	Second related location name	C an..70	N	
5479	Relation code	C an..3	N	

Segment Remarks:

General Notes

Message example:

LOC+Z01+SKBTS::6:SENEC (BRATISLAVA)'

LOC+89+MSSE:::MSSE+12.52649671+58.12123014'

If LOC+Z01 is present then LOC+89 will not be present and vice versa, because of EDIFACT restrictions to LOC SG14.

No = Consecutive segment number
 MaxOcc = Maximum occurrence of the segment/group
 Counter = Counter of segment/group within the standard

St = Status
 EDIFACT: M=Mandatory, C=Conditional
 User specific: R=Required, O=Optional, D=Dependent,
 A=Advised, N=Not used



Example:

LOC+Z01+SELAA::6:LANDSKRONA+X+X'

No = Consecutive segment number
MaxOcc = Maximum occurrence of the segment/group
Counter = Counter of segment/group within the standard

St = Status
EDIFACT: M=Mandatory, C=Conditional
User specific: R=Required, O=Optional, D=Dependent,
A=Advised, N=Not used



Counter	No	Tag	St	MaxOcc	Level	Name
0670		SG17	C	99	3	TDT-RFF-SG18
		Road Notes Not used				
0680	37	TDT	M	1	3	Transport information

Standard			Implementation	
Tag	Name	St Format	St Format	Usage / Remark
TDT				
8051	Transport stage code qualifier	M an..3	M an..3	List of valid codes 20 Main-carriage transport
8028	Means of transport journey identifier	C an..17	N	
C220	Mode of transport	C	C	
8067	Transport mode name code	C an..3	C an..3	List of valid codes 1 Maritime transport 4 Air transport
8066	Transport mode name	C an..17	N	
C001	Transport means	C	C	
8179	Transport means description code	C an..8	C an..8	
1131	Code list identification code	C an..17	N	
3055	Code list responsible agency code	C an..3	N	
8178	Transport means description	C an..17	C an..17	Air Notes Flight number Road Notes Not used Sea Notes Voyage Number
C040	Carrier	C	C	
3127	Carrier identifier	C an..17	N	
1131	Code list identification code	C an..17	N	
3055	Code list responsible agency code	C an..3	N	
3126	Carrier name	C an..35	C an..35	Air Notes Carrier name Road Notes Not used Sea Notes Carrier name
8101	Transit direction indicator code	C an..3	N	

No = Consecutive segment number
 MaxOcc = Maximum occurrence of the segment/group
 Counter = Counter of segment/group within the standard

St = Status
 EDIFACT: M=Mandatory, C=Conditional
 User specific: R=Required, O=Optional, D=Dependent,
 A=Advised, N=Not used



		Standard	Implementation	
Tag	Name	St Format	St Format	Usage / Remark
C401	Excess transportation information	C	N	
8457	Excess transportation reason code	M an..3	N	
8459	Excess transportation responsibility code	M an..3	N	
7130	Customer shipment authorisation identifier	C an..17	N	
C222	Transport identification	C	N	
8213	Transport means identification name identifier	C an..35	N	
1131	Code list identification code	C an..17	N	
3055	Code list responsible agency code	C an..3	N	
8212	Transport means identification name	C an..70	N	
8453	Transport means nationality code	C an..3	N	
8281	Transport means ownership indicator code	C an..3	N	

Segment Remarks:

Example:

TDT+20++1+31:::2057E+:::Maersk'

No = Consecutive segment number
 MaxOcc = Maximum occurrence of the segment/group
 Counter = Counter of segment/group within the standard

St = Status
 EDIFACT: M=Mandatory, C=Conditional
 User specific: R=Required, O=Optional, D=Dependent,
 A=Advised, N=Not used



Counter No	Tag	St	MaxOcc	Level	Name
0670	SG17	C	99	3	TDT-RFF-SG18
	Road Notes Not used				
0700 38	RFF	C	9	4	Reference

		Standard	Implementation	
Tag	Name	St Format	St Format	Usage / Remark
RFF				
C506	Reference	M	M	
1153	Reference code qualifier	M an..3	M an..3	
				List of valid codes
				MB Master bill of lading number
1154	Reference identifier	C an..70	C an..70	
1156	Document line identifier	C an..6	N	
1056	Version identifier	C an..9	N	
1060	Revision identifier	C an..6	N	

Segment Remarks:

Example:

RFF+MB:ABC1234567'

No = Consecutive segment number
 MaxOcc = Maximum occurrence of the segment/group
 Counter = Counter of segment/group within the standard

St = Status
 EDIFACT: M=Mandatory, C=Conditional
 User specific: R=Required, O=Optional, D=Dependent,
 A=Advised, N=Not used



Counter	No	Tag	St	MaxOcc	Level	Name
	0710	SG18	C	9	4	LOC
	0720 39	LOC	M	1	4	Place/location identification

Standard			Implementation	
Tag	Name	St Format	St Format	Usage / Remark
LOC				
3227	Location function code qualifier	M an..3	M an..3	<p>List of valid codes</p> <p>5 Place of departure</p> <p>8 Place of destination</p> <p>9 Place of loading</p> <p>Z11 Place of Unloading (DSV qualifier)</p>
C517	Location identification	C	C	
3225	Location identifier	C an..35	C an..35	
1131	Code list identification code	C an..17	N	
3055	Code list responsible agency code	C an..3	N	
3224	Location name	C an..256	C an..256	
C519	Related location one identification	C	N	
3223	First related location identifier	C an..35	N	
1131	Code list identification code	C an..17	N	
3055	Code list responsible agency code	C an..3	N	
3222	First related location name	C an..70	N	
C553	Related location two identification	C	N	
3233	Second related location identifier	C an..35	N	
1131	Code list identification code	C an..17	N	
3055	Code list responsible agency code	C an..3	N	
3232	Second related location name	C an..70	N	
5479	Relation code	C an..3	N	

Segment Remarks:

Example:

LOC+9+GBSOU:::Southampton'

No = Consecutive segment number
 MaxOcc = Maximum occurrence of the segment/group
 Counter = Counter of segment/group within the standard

St = Status
 EDIFACT: M=Mandatory, C=Conditional
 User specific: R=Required, O=Optional, D=Dependent,
 A=Advised, N=Not used



Counter	No	Tag	St	MaxOcc	Level	Name
0910		SG23	C	99	3	GID-LOC-SG24-SG25-SG26
0920	40	GID	M	1	3	GOODS ITEM DETAILS

		Standard	Implementation
Tag	Name	St Format	St Format Usage / Remark
GID			
1496	Goods item number	C an..6	M an..6
C213	Number and type of packages	C	N
7224	Package quantity	C n..8	N
7065	Package type description code	C an..17	N
1131	Code list identification code	C an..17	N
3055	Code list responsible agency code	C an..3	N
7064	Type of packages	C an..35	N
7233	Packaging related description code	C an..3	N
C213	Number and type of packages	C	N
7224	Package quantity	C n..8	N
7065	Package type description code	C an..17	N
1131	Code list identification code	C an..17	N
3055	Code list responsible agency code	C an..3	N
7064	Type of packages	C an..35	N
7233	Packaging related description code	C an..3	N
C213	Number and type of packages	C	N
7224	Package quantity	C n..8	N
7065	Package type description code	C an..17	N
1131	Code list identification code	C an..17	N
3055	Code list responsible agency code	C an..3	N
7064	Type of packages	C an..35	N
7233	Packaging related description code	C an..3	N
C213	Number and type of packages	C	N
7224	Package quantity	C n..8	N
7065	Package type description code	C an..17	N
1131	Code list identification code	C an..17	N
3055	Code list responsible agency code	C an..3	N
7064	Type of packages	C an..35	N
7233	Packaging related description code	C an..3	N
C213	Number and type of packages	C	N
7224	Package quantity	C n..8	N
7065	Package type description code	C an..17	N
1131	Code list identification code	C an..17	N
3055	Code list responsible agency code	C an..3	N
7064	Type of packages	C an..35	N

No = Consecutive segment number
 MaxOcc = Maximum occurrence of the segment/group
 Counter = Counter of segment/group within the standard

St = Status
 EDIFACT: M=Mandatory, C=Conditional
 User specific: R=Required, O=Optional, D=Dependent,
 A=Advised, N=Not used



		Standard	Implementation	
Tag	Name	St Format	St Format	Usage / Remark
7233	Packaging related description code	C an..3	N	

Segment Remarks:

General Notes

Message example:
GID+1+1:PLL'

Example:

GID+1'

No = Consecutive segment number
 MaxOcc = Maximum occurrence of the segment/group
 Counter = Counter of segment/group within the standard

St = Status
 EDIFACT: M=Mandatory, C=Conditional
 User specific: R=Required, O=Optional, D=Dependent,
 A=Advised, N=Not used



Counter	No	Tag	St	MaxOcc	Level	Name
	0910	SG23	C	99	3	GID-LOC-SG24-SG25-SG26
	0980 41	LOC	C	9	4	Place/location identification

Standard			Implementation	
Tag	Name	St Format	St Format	Usage / Remark
LOC				
3227	Location function code qualifier	M an..3	M an..3	General Notes Goods item storage location List of valid codes 14 Goods item storage location
C517	Location identification	C	C	
3225	Location identifier	C an..35	C an..35	
1131	Code list identification code	C an..17	N	
3055	Code list responsible agency code	C an..3	N	
3224	Location name	C an..256	N	
C519	Related location one identification	C	N	
3223	First related location identifier	C an..35	N	
1131	Code list identification code	C an..17	N	
3055	Code list responsible agency code	C an..3	N	
3222	First related location name	C an..70	N	
C553	Related location two identification	C	N	
3233	Second related location identifier	C an..35	N	
1131	Code list identification code	C an..17	N	
3055	Code list responsible agency code	C an..3	N	
3232	Second related location name	C an..70	N	
5479	Relation code	C an..3	N	

Segment Remarks:

Example:

LOC+14+STORAGE LOCATION'

No = Consecutive segment number
 MaxOcc = Maximum occurrence of the segment/group
 Counter = Counter of segment/group within the standard

St = Status
 EDIFACT: M=Mandatory, C=Conditional
 User specific: R=Required, O=Optional, D=Dependent,
 A=Advised, N=Not used



Counter	No	Tag	St	MaxOcc	Level	Name	
	1000	SG24	C	99	4	MEA	
	1010	42	MEA	M	1	4	Measurements

Standard			Implementation	
Tag	Name	St Format	St Format	Usage / Remark
MEA				
6311	Measurement purpose code qualifier	M an..3	M an..3	List of valid codes WT Weights
C502	Measurement details	C	C	
6313	Measured attribute code	C an..3	C an..3	List of valid codes AAB Goods item gross weight
6321	Measurement significance code	C an..3	N	
6155	Non-discrete measurement name code	C an..17	N	
6154	Non-discrete measurement name	C an..70	N	
C174	Value/range	C	C	
6411	Measurement unit code	M an..8	M an..8	List of valid codes KGM kilogram
6314	Measure	C an..18	C an..18	
6162	Range minimum quantity	C n..18	N	
6152	Range maximum quantity	C n..18	N	
6432	Significant digits quantity	C n..2	N	
7383	Surface or layer code	C an..3	N	

Segment Remarks:

General Notes

Message examples:
MEA+WT+AAB+KGM:100'

Example:

MEA+WT+AAB+KGM:100.01'

No = Consecutive segment number
MaxOcc = Maximum occurrence of the segment/group
Counter = Counter of segment/group within the standard

St = Status
EDIFACT: M=Mandatory, C=Conditional
User specific: R=Required, O=Optional, D=Dependent,
A=Advised, N=Not used



Counter	No	Tag	St	MaxOcc	Level	Name
	1000	SG24	C	99	4	MEA
	1010	43	MEA	M	1	4 Measurements

Standard			Implementation	
Tag	Name	St Format	St Format	Usage / Remark
MEA				
6311	Measurement purpose code qualifier	M an..3	M an..3	List of valid codes WT Weights
C502	Measurement details	C	C	
6313	Measured attribute code	C an..3	C an..3	List of valid codes ADZ Declared net weight
6321	Measurement significance code	C an..3	N	
6155	Non-discrete measurement name code	C an..17	N	
6154	Non-discrete measurement name	C an..70	N	
C174	Value/range	C	C	
6411	Measurement unit code	M an..8	M an..8	List of valid codes KGM kilogram
6314	Measure	C an..18	C an..18	
6162	Range minimum quantity	C n..18	N	
6152	Range maximum quantity	C n..18	N	
6432	Significant digits quantity	C n..2	N	
7383	Surface or layer code	C an..3	N	

Segment Remarks:

General Notes

Message examples:
MEA+WT+ADZ+KGM:240'

Example:

MEA+WT+ADZ+KGM: 90.02'

No = Consecutive segment number
MaxOcc = Maximum occurrence of the segment/group
Counter = Counter of segment/group within the standard

St = Status
EDIFACT: M=Mandatory, C=Conditional
User specific: R=Required, O=Optional, D=Dependent,
A=Advised, N=Not used



Counter	No	Tag	St	MaxOcc	Level	Name	
	1000	SG24	C	99	4	MEA	
	1010	44	MEA	M	1	4	Measurements

Standard			Implementation	
Tag	Name	St Format	St Format	Usage / Remark
MEA				
6311	Measurement purpose code qualifier	M an..3	M an..3	List of valid codes VOL Volume
C502	Measurement details	C	N	
6313	Measured attribute code	C an..3	N	
6321	Measurement significance code	C an..3	N	
6155	Non-discrete measurement name code	C an..17	N	
6154	Non-discrete measurement name	C an..70	N	
C174	Value/range	C	C	
6411	Measurement unit code	M an..8	M an..8	List of valid codes MTQ cubic metre
6314	Measure	C an..18	C an..18	
6162	Range minimum quantity	C n..18	N	
6152	Range maximum quantity	C n..18	N	
6432	Significant digits quantity	C n..2	N	
7383	Surface or layer code	C an..3	N	

Segment Remarks:

General Notes

Message examples:
MEA+VOL++MTQ:0.006'

Example:

MEA+VOL++MTQ:2.02'

No = Consecutive segment number
MaxOcc = Maximum occurrence of the segment/group
Counter = Counter of segment/group within the standard

St = Status
EDIFACT: M=Mandatory, C=Conditional
User specific: R=Required, O=Optional, D=Dependent,
A=Advised, N=Not used



Counter	No	Tag	St	MaxOcc	Level	Name
1000		SG24	C	99	4	MEA
1010	45	MEA	M	1	4	Measurements

Standard			Implementation	
Tag	Name	St Format	St Format	Usage / Remark
MEA				
6311	Measurement purpose code qualifier	M an..3	M an..3	List of valid codes LMT Loading meters
C502	Measurement details	C	N	
6313	Measured attribute code	C an..3	N	
6321	Measurement significance code	C an..3	N	
6155	Non-discrete measurement name code	C an..17	N	
6154	Non-discrete measurement name	C an..70	N	
C174	Value/range	C	C	
6411	Measurement unit code	M an..8	M an..8	General Notes MTR Meter (only valid for road) List of valid codes MTR metre
6314	Measure	C an..18	C an..18	
6162	Range minimum quantity	C n..18	N	
6152	Range maximum quantity	C n..18	N	
6432	Significant digits quantity	C n..2	N	
7383	Surface or layer code	C an..3	N	

Segment Remarks:

General Notes

Message examples:
MEA+LMT++MTR:0.2'

Example:

MEA+LMT++MTR: 4'

No = Consecutive segment number
MaxOcc = Maximum occurrence of the segment/group
Counter = Counter of segment/group within the standard

St = Status
EDIFACT: M=Mandatory, C=Conditional
User specific: R=Required, O=Optional, D=Dependent,
A=Advised, N=Not used



Counter	No	Tag	St	MaxOcc	Level	Name
	1000	SG24	C	99	4	MEA
	1010	46	MEA	M	1	4 Measurements

Standard			Implementation	
Tag	Name	St Format	St Format	Usage / Remark
MEA				
6311	Measurement purpose code qualifier	M an..3	M an..3	General Notes CT = Used for pallet space. List of valid codes CT Counts
C502	Measurement details	C	C	
6313	Measured attribute code	C an..3	C an..3	List of valid codes SQ Shipped quantity
6321	Measurement significance code	C an..3	N	
6155	Non-discrete measurement name code	C an..17	N	
6154	Non-discrete measurement name	C an..70	N	
C174	Value/range	C	C	
6411	Measurement unit code	M an..8	M an..8	
6314	Measure	C an..18	C an..18	
6162	Range minimum quantity	C n..18	N	
6152	Range maximum quantity	C n..18	N	
6432	Significant digits quantity	C n..2	N	
7383	Surface or layer code	C an..3	N	

Segment Remarks:

General Notes

Message examples:

MEA+CT+SQ+PLL:2 (Pallet space agreement needed)

Example:

MEA+CT+SQ+PLL:5'

No = Consecutive segment number
 MaxOcc = Maximum occurrence of the segment/group
 Counter = Counter of segment/group within the standard

St = Status
 EDIFACT: M=Mandatory, C=Conditional
 User specific: R=Required, O=Optional, D=Dependent,
 A=Advised, N=Not used



Counter	No	Tag	St	MaxOcc	Level	Name	
	1030	SG25	C	99	4	DIM	
	1040	47	DIM	M	1	4	DIMENSIONS

Standard			Implementation	
Tag	Name	St Format	St Format	Usage / Remark
DIM				
6145	Dimension type code qualifier	M an..3	M an..3	List of valid codes 1 Gross dimensions
C211	Dimensions	M	M	
6411	Measurement unit code	M an..8	M an..8	List of valid codes MTR metre
6168	Length measure	C n..15	C n..15	
6140	Width measure	C n..15	C n..15	
6008	Height measure	C n..15	C n..15	

Segment Remarks:

General Notes

The dimension value is always in Meter.

Message example:

DIM+1+MTR:0.2:0.1:0.1'

Example:

DIM+1+MTR:0.2:0.1:0.1'

No = Consecutive segment number
 MaxOcc = Maximum occurrence of the segment/group
 Counter = Counter of segment/group within the standard

St = Status
 EDIFACT: M=Mandatory, C=Conditional
 User specific: R=Required, O=Optional, D=Dependent,
 A=Advised, N=Not used



Counter	No	Tag	St	MaxOcc	Level	Name
	1060	SG26	C	99	4	PCI-GIN
	1070 48	PCI	M	1	4	PACKAGE IDENTIFICATION

Standard			Implementation	
Tag	Name	St Format	St Format	Usage / Remark
PCI				
4233	Marking instructions code	C an..3	C an..3	General Notes Code 17 for Sellers instruction is to be used for unique ID created by seller which is not an SSCC code. The unique ID must be placed in GIN with qualifier BN. List of valid codes 17 Seller's instructions
C210	Marks & labels	C	N	
7102	Shipping marks description	M an..35	N	
7102	Shipping marks description	C an..35	N	
7102	Shipping marks description	C an..35	N	
7102	Shipping marks description	C an..35	N	
7102	Shipping marks description	C an..35	N	
7102	Shipping marks description	C an..35	N	
7102	Shipping marks description	C an..35	N	
7102	Shipping marks description	C an..35	N	
7102	Shipping marks description	C an..35	N	
7102	Shipping marks description	C an..35	N	
8169	Full or empty indicator code	C an..3	N	
C827	Type of marking	C	N	
7511	Marking type code	M an..3	N	
1131	Code list identification code	C an..17	N	
3055	Code list responsible agency code	C an..3	N	

Segment Remarks:

General Notes

The seller's instruction codes are placed in the GIN.

Message example:

PCI+17'

Example:

PCI+17'

No = Consecutive segment number
 MaxOcc = Maximum occurrence of the segment/group
 Counter = Counter of segment/group within the standard

St = Status
 EDIFACT: M=Mandatory, C=Conditional
 User specific: R=Required, O=Optional, D=Dependent,
 A=Advised, N=Not used



Counter	No	Tag	St	MaxOcc	Level	Name
1060		SG26	C	99	4	PCI-GIN
1080	49	GIN	C	9999	5	Goods identity number

Standard			Implementation	
Tag	Name	St Format	St Format	Usage / Remark
GIN				
7405	Object identification code qualifier	M an..3	M an..3	General Notes When SG26/PCI has 4233 = 17, then SG26/GIN/7405 must have the value "BN". List of valid codes BN Serial number
C208	Identity number range	M	M	
7402	Object identifier	M an..35	M an..35	
7402	Object identifier	C an..35	C an..35	
C208	Identity number range	C	C	
7402	Object identifier	M an..35	M an..35	
7402	Object identifier	C an..35	C an..35	
C208	Identity number range	C	C	
7402	Object identifier	M an..35	M an..35	
7402	Object identifier	C an..35	C an..35	
C208	Identity number range	C	C	
7402	Object identifier	M an..35	M an..35	
7402	Object identifier	C an..35	C an..35	
C208	Identity number range	C	C	
7402	Object identifier	M an..35	M an..35	
7402	Object identifier	C an..35	C an..35	

Segment Remarks:

General Notes

Message examples:

GIN+BN+12345600252525'

Example:

GIN+BN+00073000093496312546:00073000090414361624+00073000090414361631:00073000090414361648+0007300090414361655:00073000093496312539+00073000123496312546:00073000053496312546+00073000093496312789:00073000093496312684'

No = Consecutive segment number
 MaxOcc = Maximum occurrence of the segment/group
 Counter = Counter of segment/group within the standard

St = Status
 EDIFACT: M=Mandatory, C=Conditional
 User specific: R=Required, O=Optional, D=Dependent,
 A=Advised, N=Not used



Counter	No	Tag	St	MaxOcc	Level	Name
	1060	SG26	C	99	4	PCI-GIN
	1070	50 PCI	M	1	4	PACKAGE IDENTIFICATION

Standard			Implementation	
Tag	Name	St Format	St Format	Usage / Remark
PCI				
4233	Marking instructions code	C an..3	C an..3	<p>General Notes</p> <p>Code 18 will be used with GIN+AW for SSCC codes. Will be sent out without qualifier 00 in the SSCC.</p> <p>Message examples: PCI+18'</p> <p>List of valid codes</p> <p>18 Carrier's instructions</p>
C210	Marks & labels	C	N	
7102	Shipping marks description	M an..35	N	
7102	Shipping marks description	C an..35	N	
7102	Shipping marks description	C an..35	N	
7102	Shipping marks description	C an..35	N	
7102	Shipping marks description	C an..35	N	
7102	Shipping marks description	C an..35	N	
7102	Shipping marks description	C an..35	N	
7102	Shipping marks description	C an..35	N	
7102	Shipping marks description	C an..35	N	
8169	Full or empty indicator code	C an..3	N	
C827	Type of marking	C	N	
7511	Marking type code	M an..3	N	
1131	Code list identification code	C an..17	N	
3055	Code list responsible agency code	C an..3	N	

Segment Remarks:

General Notes

The SSCC codes themselves are placed in the GIN.

Message example:

PCI+18'

Example:

PCI+18'

No = Consecutive segment number
 MaxOcc = Maximum occurrence of the segment/group
 Counter = Counter of segment/group within the standard

St = Status
 EDIFACT: M=Mandatory, C=Conditional
 User specific: R=Required, O=Optional, D=Dependent,
 A=Advised, N=Not used



Counter	No	Tag	St	MaxOcc	Level	Name	
	1060	SG26	C	99	4	PCI-GIN	
	1080	51	GIN	C	9999	5	Goods identity number

Standard			Implementation	
Tag	Name	St Format	St Format	Usage / Remark
GIN				
7405	Object identification code qualifier	M an..3	M an..3	General Notes When SG26/PCI has 4233 = 18, then SG26/GIN/7405 must have the value "AW". SSCC do not include the qualifier 00. List of valid codes AW Serial shipping container code
C208	Identity number range	M	M	
7402	Object identifier	M an..35	M an..35	
7402	Object identifier	C an..35	C an..35	
C208	Identity number range	C	C	
7402	Object identifier	M an..35	M an..35	
7402	Object identifier	C an..35	C an..35	
C208	Identity number range	C	C	
7402	Object identifier	M an..35	M an..35	
7402	Object identifier	C an..35	C an..35	
C208	Identity number range	C	C	
7402	Object identifier	M an..35	M an..35	
7402	Object identifier	C an..35	C an..35	
C208	Identity number range	C	C	
7402	Object identifier	M an..35	M an..35	
7402	Object identifier	C an..35	C an..35	

Segment Remarks:

General Notes

When using SSCC codes then qualifier 00 is not to be used as it is a qualifier and not the code information.

Message examples:

GIN+AW+357065933298415480'

Example:

GIN+AW+373999991234567899:373323995756893927+373323995780867383:373323995756893927+373323995859384889:373323995859360043+373323995859387804:373323995859387811+373323995859387842:373323995859392068

No = Consecutive segment number
 MaxOcc = Maximum occurrence of the segment/group
 Counter = Counter of segment/group within the standard

St = Status
 EDIFACT: M=Mandatory, C=Conditional
 User specific: R=Required, O=Optional, D=Dependent,
 A=Advised, N=Not used



Counter	No	Tag	St	MaxOcc	Level	Name
---------	----	-----	----	--------	-------	------

1120	52	UNT	M	1	0	Message trailer
------	----	------------	---	---	---	-----------------

		Standard	Implementation	
Tag	Name	St Format	St Format	Usage / Remark
UNT				
0074	Number of segments in a message	M n..10	M n..10	
0062	Message reference number	M an..14	M an..14	

Segment Remarks:

General Notes

Message example:
UNT+15+45869'

Example:

UNT+18+45689'

No = Consecutive segment number
 MaxOcc = Maximum occurrence of the segment/group
 Counter = Counter of segment/group within the standard

St = Status
 EDIFACT: M=Mandatory, C=Conditional
 User specific: R=Required, O=Optional, D=Dependent,
 A=Advised, N=Not used



Counter	No	Tag	St	MaxOcc	Level	Name
---------	----	-----	----	--------	-------	------

0000	53	UNZ	M	1	0	Interchange trailer
------	----	------------	---	---	---	---------------------

Standard			Implementation	
Tag	Name	St Format	St Format	Usage / Remark
UNZ				
0036	Interchange control count	M n..6	M n..6	
0020	Interchange control reference	M an..14	M an..14	

Segment Remarks:

General Notes

Message example:
UNZ+1+874974-01'

Example:

UNZ+1+31'

No = Consecutive segment number
MaxOcc = Maximum occurrence of the segment/group
Counter = Counter of segment/group within the standard

St = Status
EDIFACT: M=Mandatory, C=Conditional
User specific: R=Required, O=Optional, D=Dependent,
A=Advised, N=Not used



Example Message

No	Tag	Example
01	UNB	UNB+UNOC:4+5790000110018:14+CUSTOMERID+20190130:1354+31'
02	UNH	UNH+45689+IFTSTA:D:10B:UN' MESSAGE HEADER
03	BGM	BGM+77+ABCDE-12345+9' BEGINNING OF MESSAGE
04	DTM	DTM+137:20220930:102' DATE TIME PERIOD
SG4		
05	EQD	EQD+CN+MSCU1234567+40GP::5:42G0+++1'
06	MEA	MEA+WT+AAB+KGM:100'
07	MEA	MEA+VOL++MTQ:1.2'
08	DIM	DIM+10+MTR:9:9:9'
09	SEL	SEL+DSV12345'
10	RFF	RFF+MB:DSV78962'
SG11		
11	TMP	TMP+2+:CEL'
12	RNG	RNG+5+10::9'
SG13		
13	CNI	CNI+1+DSV12345' CONSIGNMENT INFORMATION
14	CNT	CNT+7:100.01:KGM' CONTROL TOTAL
SG14		
15	STS	STS+ZCN+Z1+5+8+38+108' STATUS
16	RFF	RFF+BN:ABC-123456' REFERENCE
17	RFF	RFF+ZTF:9F' REFERENCE
18	RFF	RFF+CU:DSV12345' REFERENCE
19	RFF	RFF+AAO:DSV12345' REFERENCE
20	RFF	RFF+AAS:1234567890' REFERENCE
21	RFF	RFF+SRN:570123456789901123' REFERENCE
22	RFF	RFF+AAM:401123456789987654321' REFERENCE

No = Consecutive segment number



No	Tag	Example
23	RFF	RFF+ASI:ABC123456' REFERENCE
24	RFF	RFF+BH:ABC-123456' REFERENCE
25	RFF	RFF+ZCU:DSV12345' REFERENCE
26	DTM	DTM+334:202112121020:203' DATE TIME PERIOD
27	FTX	FTX+AHN+++Collect remarks1:2:3:4:5' FREE TEXT
SG15		
28	NAD	NAD+AP' NAME AND ADDRESS
SG16		
29	CTA	CTA+GR+:DRIVER' CONTACT INFORMATION
SG15		
30	NAD	NAD+CZ+1234567890++Consignor Name+West street 10:Second street at left+CITY+State+123 45+US' NAME AND ADDRESS
SG15		
31	NAD	NAD+CN+1234567890++Consignee+East street 10:Warehouse 5+CITY+State+12345+US' NAME AND ADDRESS
SG15		
32	NAD	NAD+DP+1234567890++Delivery party+North avenue 10:Warehouse 4+CITY+State+12345+US' NAME AND ADDRESS
SG15		
33	NAD	NAD+PW+++Pickup party+South street 20:Administration+CITY+State+12345+US' NAME AND ADDRESS
SG15		
34	NAD	NAD+ST+123456' NAME AND ADDRESS
SG15		
35	NAD	NAD+SF+789456' NAME AND ADDRESS
36	LOC	LOC+Z01+SELAA::6:LANDSKRONA+X+X' PLACE LOCATION IDENTIFICATION
SG17		
37	TDT	TDT+20++1+31:::2057E+:::Maersk'

No = Consecutive segment number



No	Tag	Example
38	RFF	RFF+MB:ABC1234567'
	SG18	
39	LOC	LOC+9+GBSOU:::Southampton'
	SG23	
40	GID	GID+1' GOODS ITEM DETAILS
41	LOC	LOC+14+STORAGE LOCATION'
	SG24	
42	MEA	MEA+WT+AAB+KGM:100.01'
	SG24	
43	MEA	MEA+WT+ADZ+KGM:90.02'
	SG24	
44	MEA	MEA+VOL++MTQ:2.02'
	SG24	
45	MEA	MEA+LMT++MTR:4'
	SG24	
46	MEA	MEA+CT+SQ+PLL:5'
	SG25	
47	DIM	DIM+1+MTR:0.2:0.1:0.1' DIMENSIONS
	SG26	
48	PCI	PCI+17' PACKAGE IDENTIFICATION
49	GIN	GIN+BN+00073000093496312546:00073000090414361624+00073000090414361631:00073000090414361648+00073000090414361655:00073000093496312539+00073000123496312546:00073000053496312546+00073000093496312789:00073000093496312684'
	SG26	
50	PCI	PCI+18' PACKAGE IDENTIFICATION
51	GIN	GIN+AW+373999991234567899:373323995756893927+373323995780867383:373323995756893927+373323995859384889:373323995859360043+373323995859387804:373323995859387811+373323995859387842:373323995859392068'
52	UNT	UNT+18+45689'
53	UNZ	UNZ+1+31'

No = Consecutive segment number