



Message Implementation Guideline

DSV IFTMIN D10B

based on

IFTMIN

Instruction message

UN D.10B S3

Version: 1.2 SE
Variant: Road subset
Issue date: 2024-03-07
Author: EDI Support SE

1 Message Structure	5
2 Branching Diagram	7
3 Segments.....	13

Issued by: DSV Road AB
Phone: +46 (0) 418 39 13 70
e-mail: edi.support@se.dsv.com

INTRODUCTION

EDIFACT is the recognized international standard for EDI trading in a wide range of commercial and non-commercial sectors. Its established applications are in store-and-forward “batch” communication of transaction messages of many kinds. EDIFACT begins with an underlying syntax, which is an ISO standard. Within that syntax, there are directories of data elements, composite data elements, segments, and messages; and there are conventions for placing messages in an “envelope” which identifies the sender and receiver and other attributes of a transmission.

The EDIFACT message itself does not define the medium by which the message is sent, or the protocols which are used in any particular form of communication. Please note that all communications is ordered via our homepage <http://www.se.dsv.com/services-and-downloads/dsv-e-tjanster/bestall-e-tjanster/EDI-kommunikation> .

Structure of an interchange

An EDIFACT transmission or interchange is opened and closed by a number of mandatory or conditional service segments, which constitute the “envelope” for the transmission as a whole and for messages within it. Inside this envelope, each message is made up of user segments. Both service segments and user segments begin with a three-letter identifier, and end with a segment separator.

The structure is organised on three levels: interchange, group, and message. However, DSV normally do only use two, interchange and message. An interchange begins with a UNA or UNB segment and ends with a UNZ segment. A message begins with a UNH segment and ends with a UNT segment.

Character sets

EDIFACT standards define a number of character sets, coded in the UNB segment at the beginning of each interchange as UNOA, UNOB, UNOC, etc. UNOA and UNOB correspond to the basic ASCII character sets of ISO 646 and ISO 6937. UNOC to UNOF correspond to the alphabets defined in Parts 1, 2, 5 and 7 of ISO 8859. We ask you to normally use UNOC for our Swedish production which supports Swedish letters such as “Å, Ä, Ö” in version 3.



Issued by: DSV Road AB
Phone: +46 (0) 418 39 13 70
e-mail: edi.support@se.dsv.com

Change history of IFTMIN (external version D10B 1.2):

Version 1.2

- LOC-segment is adjusted (SG10)
- "Not Used"-element are now visible
- HAN Segment description
- Syntax version number updated to 3

Version 1.1

- Syntax version number updated to 4

Version 1.0

- New message version according to DSV connectivity rules and Booking Data Standard
- New package code list (the only one accepted)
- Terms allowed, only 2020 or newer (Combiterms is no longer accepted)
- SIS number will no longer be supplied (but old can be used and reused according to SIS regulation)

Example message

UNA:+.? '
UNB+UNOC:3+SENDERID:14+7331802000008:14+2023050105:1312+22'
UNH+000000001+IFTMIN:D:10B:UN:EAN010'
BGM+610+73400858000000038+9'
DTM+137:20230505:102'
DTM+234:20230505:102'
DTM+2:20230506:102'
TSR++3+3'
TSR++90'
FTX+SIC+++Pickup instructions'
FTX+BLR+++Delivery instructions on document'
FTX+CLR+++Delivery instructions'
CNT+7:315:KGM'
CNT+11:1:PCE'
CNT+15:1.26:MTQ'
CNT+57:0.4:MTR'
TOD+6++DAP'
LOC+1+:::LYCKEBY'
RFF+SRN:73400858000000038'
RFF+AAS:6332177135'
RFF+AAO:Receiver reference'
RFF+CU:Customer Ref/Shippers reference'
TDT+20++3'
LOC+5+26124:16::LANDSKRONA'
LOC+8+37147:16::LYCKEBY'
NAD+CZ+12345678::87++TEST SHIPPER AB+TEST STREET 1+LANDSKRONA++261 24+SE'
CTA+IC+:CONTACT PERSON'
COM+070123453:TE'
NAD+CN+PARTYIDTEST::91++TEST RECEIVER+RECEIVER STREET 1+LYCKEBY++371 50+SE'
CTA+IC+:CONTACT PERSON'
COM+070123454:TE'
NAD+PW+++TEST RECEIVER+EXPORTGATAN 2+HISINGS BACKA++422 43+SE'
CTA+IC+:CONTACT PERSON'
COM+070123456:TE'
NAD+DP+++TEST DELIVERY+RECEIVER STREET 2+KARLSKRONA++371 47+SE'
CTA+IC+:CONTACT PERSON'
COM+070123457:TE'
GID+1+1:EUR'
FTX+AAA+++TEST PRODUCTS'
MEA+WT+AAB+KGM:315'
MEA+VOL++MTQ:1.26'
MEA+LMT++MTR:0.4'
PCI+18'
GIN+AW+373323991620976378'
EQD+EFT'
EQN+1'
UNT+45+000000001'
UNZ+1+22'

Structure / Table of Contents

Counter	No	Tag	St	MaxOcc	Level	Content
0000	1	UNA	R	1	0	Service string advice
0000	2	UNB	M	1	0	Interchange header
0010	3	UNH	M	1	0	Message header
0020	4	BGM	M	1	0	Beginning of message
0050	5	DTM	M	3	1	Date/time/period
0060	6	TSR	M	1	1	Transport service requirements
0080	9	MOA	C	1	1	Monetary amount
0090	10	FTX	C	2	1	Free text
0100	12	CNT	M	5	1	Control total
0130		SG1	C	99	1	LOC
0140	13	LOC	M	1	1	Place/location identification
0160		SG2	M	2	1	TOD-LOC
0170	14	TOD	M	1	1	Terms of delivery or transport
0180	15	LOC	C	1	2	Place/location identification
0190		SG3	R	9	1	RFF
0200	16	RFF	M	99	1	Shipment Identification Types
0470		SG8	C	1	1	TDT-SG10
0480	17	TDT	M	1	1	Transport information
0530		SG10	C	99	2	LOC
0540	18	LOC	R	2	2	Place/location identification
0590		SG12	M	1	1	NAD-SG13-SG16
0600	19	NAD	M	1	1	Name and address
0630		SG13	C	1	2	CTA-COM
0640	20	CTA	M	1	2	Contact information
0650	21	COM	M	2	3	Communication contact
0770		SG16	C	1	2	RFF
0780	22	RFF	M	1	2	Reference
0920		SG19	R	99999	1	GID-HAN-RNG-LOC-MOA-FTX-SG21-SG22-SG24-SG33
0930	37	GID	R	1	1	Goods item details
0940	38	HAN	C	99	2	Handling instructions
0960	39	RNG	C	1	2	Range details
0980	40	LOC	C	1	2	Place/location identification
0990	41	MOA	C	1	2	Monetary amount
1010	42	FTX	M	1	2	Free text
1080		SG21	R	4	2	MEA
1090	43	MEA	M	4	2	Measurements
1110		SG22	C	1	2	DIM
1120	44	DIM	M	1	2	Dimensions

Counter = Counter of segment/group within the standard
 No = Consecutive segment number
 MaxOcc = Maximum occurrence of the segment/group

St = Status
 EDIFACT: M=Mandatory, C=Conditional
 User specific: R=Required, O=Optional, D=Dependent,
 A=Advised, N=Not used



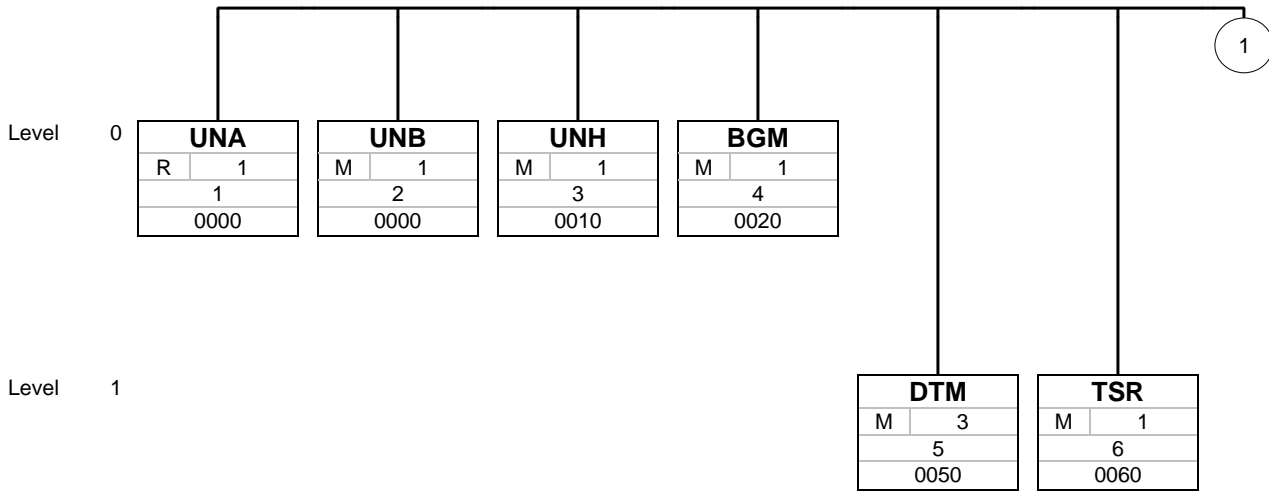
Counter	No	Tag	St	MaxOcc	Level	Content
1170		SG24	C	999	2	PCI-GIN
1180	45	PCI	M	1	2	Package identification
1210	46	GIN	R	10	3	GOODS IDENTITY NUMBER
1530		SG33	C	99	2	DGS-FTX-SG35
1540	48	DGS	M	1	2	DANGEROUS GOODS
1550	49	FTX	C	99	3	FREE TEXT
1590		SG35	C	9	3	MEA
1600	54	MEA	M	1	3	MEASUREMENTS
1670		SG38	C	1	1	EQD-EQN
1680	59	EQD	M	1	1	Equipment details
1690	60	EQN	R	1	2	Number of units
2020	61	UNT	M	1	0	Message trailer
0000	62	UNZ	M	1	0	Interchange trailer

Counter = Counter of segment/group within the standard
 No = Consecutive segment number
 MaxOcc = Maximum occurrence of the segment/group

St = Status
 EDIFACT: M=Mandatory, C=Conditional
 User specific: R=Required, O=Optional, D=Dependent,
 A=Advised, N=Not used

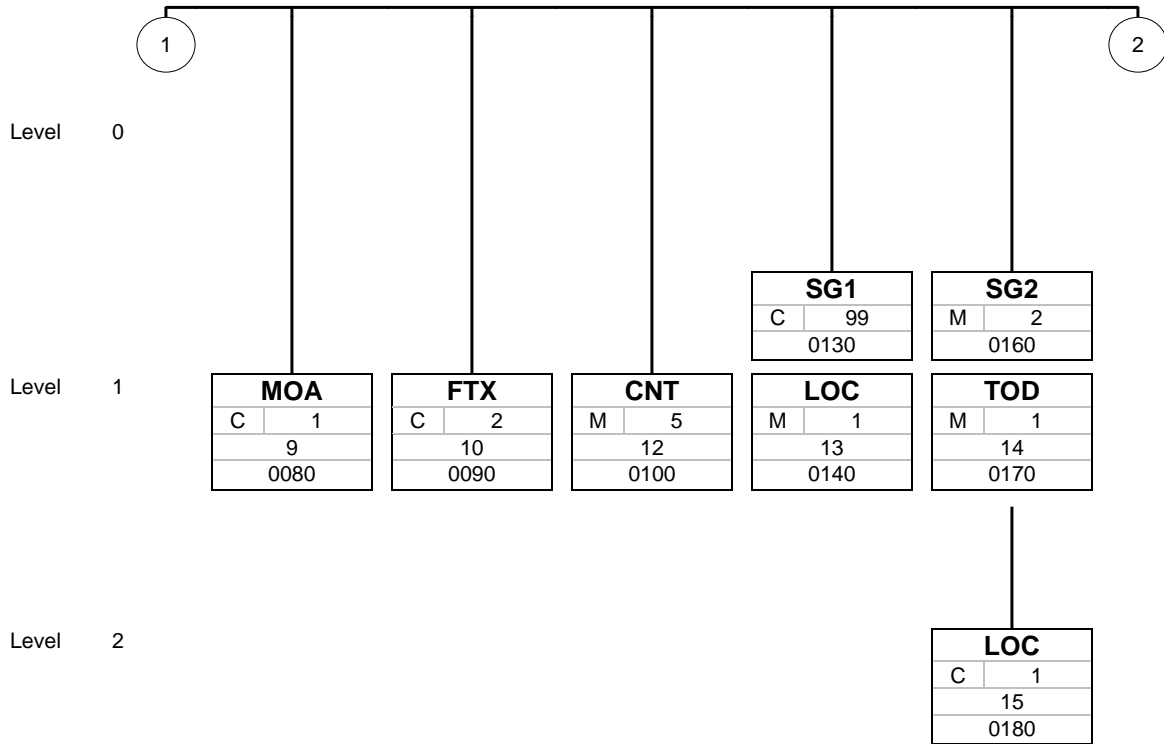


Branching Diagram of Used Segments/Groups



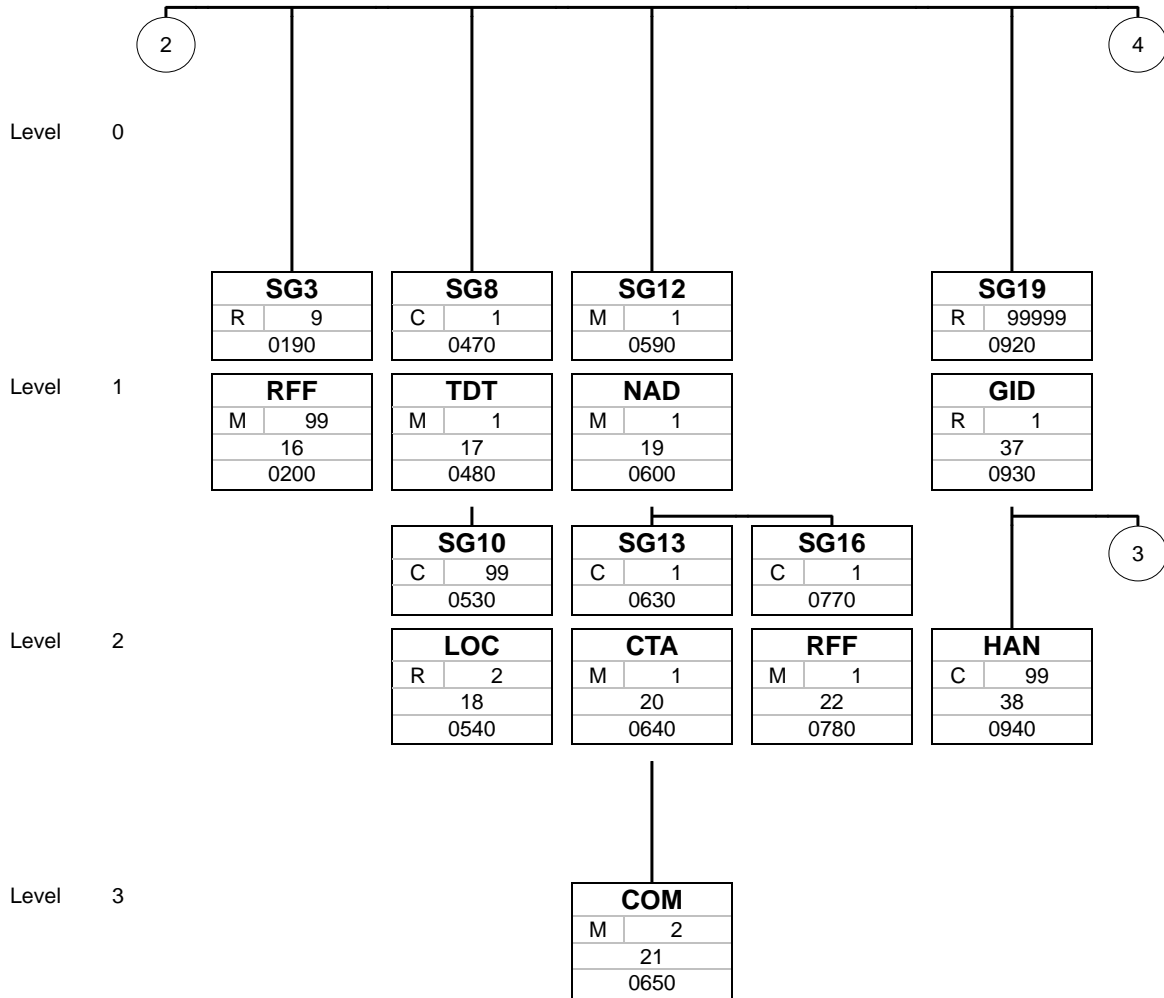
Tag
St MaxOcc
No
Counter

Tag = Segment/Group Tag
 St = Status (M=Mandatory, C=Conditional, R=Required, O=Optional, A=Advised, D=Dependent)
 MaxOcc = Maximum occurrence of the segment/group
 No = Consecutive segment number
 Counter = Counter of segment/group within the standard



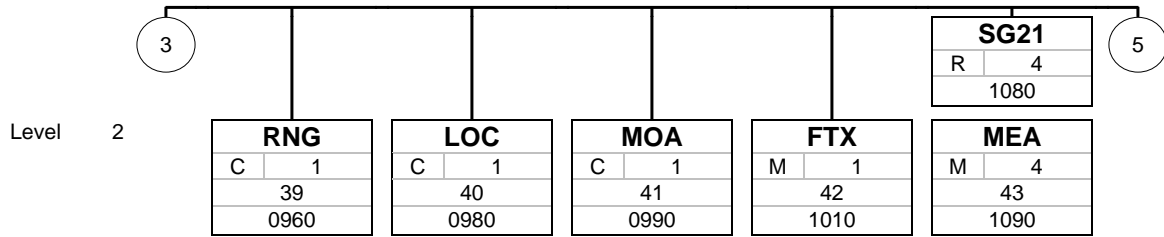
Tag
St MaxOcc
No
Counter

Tag = Segment/Group Tag
 St = Status (M=Mandatory, C=Conditional, R=Required, O=Optional, A=Advised, D=Dependent)
 MaxOcc = Maximum occurrence of the segment/group
 No = Consecutive segment number
 Counter = Counter of segment/group within the standard



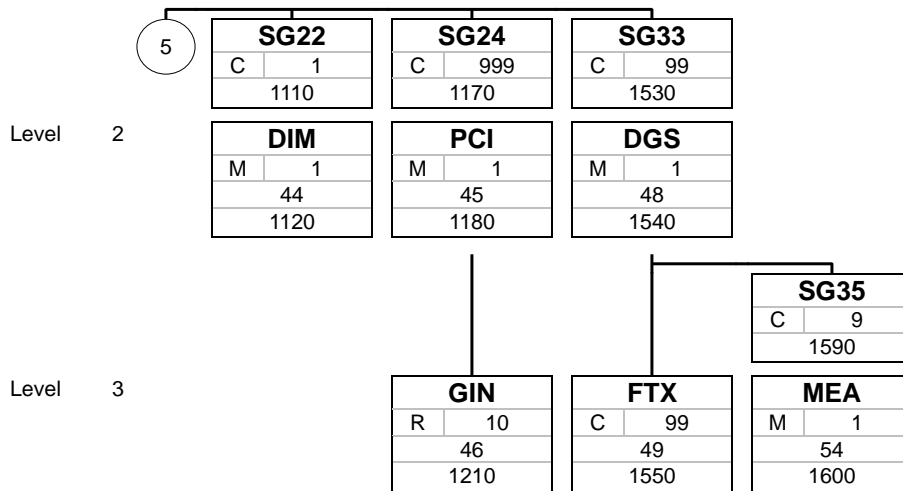
Tag
St MaxOcc
No
Counter

Tag = Segment/Group Tag
 St = Status (M=Mandatory, C=Conditional, R=Required, O=Optional, A=Advised, D=Dependent)
 MaxOcc = Maximum occurrence of the segment/group
 No = Consecutive segment number
 Counter = Counter of segment/group within the standard



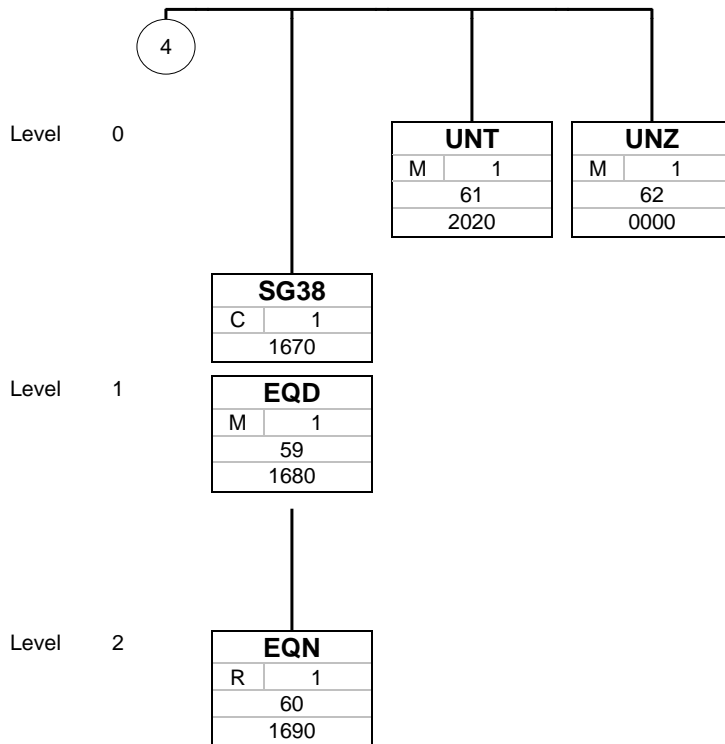
Tag
St MaxOcc
No
Counter

Tag = Segment/Group Tag
 St = Status (M=Mandatory, C=Conditional, R=Required, O=Optional, A=Advised, D=Dependent)
 MaxOcc = Maximum occurrence of the segment/group
 No = Consecutive segment number
 Counter = Counter of segment/group within the standard



Tag
St MaxOcc
No
Counter

Tag = Segment/Group Tag
 St = Status (M=Mandatory, C=Conditional, R=Required, O=Optional, A=Advised, D=Dependent)
 MaxOcc = Maximum occurrence of the segment/group
 No = Consecutive segment number
 Counter = Counter of segment/group within the standard



Tag
St MaxOcc
No
Counter

Tag = Segment/Group Tag
 St = Status (M=Mandatory, C=Conditional, R=Required, O=Optional, A=Advised, D=Dependent)
 MaxOcc = Maximum occurrence of the segment/group
 No = Consecutive segment number
 Counter = Counter of segment/group within the standard



Segments

Counter	No	Tag	St	MaxOcc	Level	Name
0000	1	UNA	R	1	0	Service string advice

		Standard	Implementation	
Tag	Name	St Format	St Format	Usage / Remark
UNA				
UNA1	Component data element separator	M an1	M an1	: Component data element separator
UNA2	Data element separator	M an1	M an1	+ Data element separator
UNA3	Decimal notation	M an1	M an1	. Decimal notation
UNA4	Release indicator	M an1	M an1	? Release indicator
UNA5	Reserved for future use	M an1	M an1	Reserved for future use
UNA6	Segment terminator	M an1	M an1	' Segment terminator

Remark:
Strongly suggest to use this data segment

Example:
UNA:+. ? '

No = Consecutive segment number
MaxOcc = Maximum occurrence of the segment/group
Counter = Counter of segment/group within the standard

St = Status
EDIFACT: M=Mandatory, C=Conditional
User specific: R=Required, O=Optional, D=Dependent,
A=Advised, N=Not used



Counter	No	Tag	St	MaxOcc	Level	Name
---------	----	-----	----	--------	-------	------

0000 2 **UNB** M 1 0 Interchange header

Standard			Implementation	
Tag	Name	St Format	St Format	Usage / Remark
UNB				
S001	Syntax identifier	M	M	
0001	Syntax identifier	M a4	M a4	Allowed character set = UNOC Character representations = ISO 8859-1 (8-bit ASCII code)
0002	Syntax version number	M n1	M n1	Please use the syntax version no 3
S002	Interchange sender	M	M	
0004	Sender identification	M an..35	M an..35	Sender ID
0007	Partner identification code qualifier	C an..4	C an..4	Qualifier 14 GS1 ZZZ Mutually defined
0008	Address for reverse routing	C an..14	N	Not used
S003	Interchange recipient	M	M	
0010	Recipient identification	M an..35	M an..35	Receiver ID DSV addresses to be used: 7331802000008
0007	Partner identification code qualifier	C an..4	C an..4	Qualifier 14 GS1 ZZZ Mutually defined
0014	Routing address	C an..14	N	Not used
S004	Date/time of preparation	M	M	
0017	Date of preparation	M n6	M n8	Date of preparation Local date and time when an interchange or a group was prepared. Format is CCYYMMDD
0019	Time of preparation	M n4	M n4	Time of preparation
0020	Interchange control reference	M an..14	M an..14	Interchange Control reference
S005	Recipient's reference, password	C	N	
0022	Recipient's reference/password	M an..14	N	Not used
0025	Recipient's reference/password qualifier	C an2	N	Not used
0026	Application reference	C an..14	N	Not used
0029	Processing priority code	C a1	N	Not used
0031	Acknowledgement request	C n1	N	Not used
0032	Communications agreement ID	C an..35	N	Not used
0035	Test indicator	C n1	N	Not used

Remark:

Communication details such as sender and receiver ID is always customer- or setup unique

We recommend GLN or Organisation number

Example:

UNB+UNOC:3+SENDERID:QUALIFIER+RECEIVERID:QUALIFIER+CCYYMMDD:HHMM+123456'

No = Consecutive segment number
MaxOcc = Maximum occurrence of the segment/group
Counter = Counter of segment/group within the standard

St = Status
EDIFACT: M=Mandatory, C=Conditional
User specific: R=Required, O=Optional, D=Dependent,
A=Advised, N=Not used



Counter	No	Tag	St	MaxOcc	Level	Name
0010	3	UNH	M	1	0	Message header

Standard			Implementation	
Tag	Name	St Format	St Format	Usage / Remark
UNH				
0062	Message reference number	M an..14	M an..14	Message reference number
S009	Message identifier	M	M	
0065	Message type	M an..6	M an..6	IFTMIN Instruction message
0052	Message version number	M an..3	M an..3	D Draft version/UN/EDIFACT Directory
0054	Message release number	M an..3	M an..3	10B Release 2010 - B
0051	Controlling agency	M an..2	M an..2	UN UN/CEFACT
0057	Association assigned code	C an..6	C an..6	NIG001
0068	Common access reference	C an..35	N	Not used
S010	Status of the transfer	C	N	
0070	Sequence of transfers	M n..2	N	Not used
0073	First and last transfer	C a1	N	Not used

Remark:

Example:

UNH+X+IFTMIN:D:10B:UN:NIG001'

No = Consecutive segment number
 MaxOcc = Maximum occurrence of the segment/group
 Counter = Counter of segment/group within the standard

St = Status
 EDIFACT: M=Mandatory, C=Conditional
 User specific: R=Required, O=Optional, D=Dependent,
 A=Advised, N=Not used



Counter	No	Tag	St	MaxOcc	Level	Name
---------	----	-----	----	--------	-------	------

0020 4 **BGM** M 1 0 Beginning of message

Standard			Implementation	
Tag	Name	St Format	St Format	Usage / Remark
BGM				
C002	Document/message name	C	C	
1001	Document name code	C an..3	M an..3	610 Forwarding instructions
1131	Code list identification code	C an..17	N	Not used
3055	Code list responsible agency code	C an..3	N	Not used
1000	Document name	C an..35	N	Not used
C106	Document/message identification	C	C	
1004	Document identifier	C an..70	M an..70	*GSIN number must not be reallocated within ten years of the shipment date from the seller or sender of the GSIN to a trading partner buyer or recipient to comply with the regulations of the World Customs Organization (WCO). Waybill number according to GS1 standard GSIN is recommended. DSV support usage of SIS number serie but it is no longer possible to order new series from DSV . Existing number range can be used but needs to be unique for atleast 24 months before reuse. We recomend that you use same Document ID as Shippment ID used
1056	Version identifier	C an..9	N	Not used
1060	Revision identifier	C an..6	N	Not used
1225	Message function code	C an..3	M an..3	9 Original
4343	Response type code	C an..3	N	Not used

Remark:
Document identifier is required on all messages.

Example:
BGM+610+73400858000000038+9'
BGM+610+6781708042+9'

No = Consecutive segment number
MaxOcc = Maximum occurrence of the segment/group
Counter = Counter of segment/group within the standard

St = Status
EDIFACT: M=Mandatory, C=Conditional
User specific: R=Required, O=Optional, D=Dependent,
A=Advised, N=Not used



Counter	No	Tag	St	MaxOcc	Level	Name
---------	----	-----	----	--------	-------	------

0050 5 **DTM** M 3 1 Date/time/period

Standard			Implementation	
Tag	Name	St Format	St Format	Usage / Remark
DTM				
C507	Date/time/period	M	M	
2005	Date or time or period function code qualifier	M an..3	M an..3	2 Delivery date/time, requested 137 Document issue date time 234 Collection date/time, earliest
2380	Date or time or period text	C an..35	R an..35	Date - Time - Period
2379	Date or time or period format code	C an..3	R an..3	102 CCYYMMDD 203 CCYYMMDDHHMM 713 YYMMDDHHMM-YYMMDDHHMM

Remark:
Document/message date (DTM+137) are mandatory

Example:
DTM+137:20240220:102'
DTM+234:202402201115:203'
DTM+2:2402200700-2402201500:713'

No = Consecutive segment number
MaxOcc = Maximum occurrence of the segment/group
Counter = Counter of segment/group within the standard

St = Status
EDIFACT: M=Mandatory, C=Conditional
User specific: R=Required, O=Optional, D=Dependent,
A=Advised, N=Not used



Counter	No	Tag	St	MaxOcc	Level	Name
---------	----	-----	----	--------	-------	------

0060 6 **TSR** M 1 1 Transport service requirements

Standard			Implementation		
Tag	Name	St Format	St Format	Usage / Remark	
TSR					
C536	Contract and carriage condition	C	N		
4065	Contract and carriage condition code	M an..3	N	Not used	
1131	Code list identification code	C an..17	N	Not used	
3055	Code list responsible agency code	C an..3	N	Not used	
C233	Service	C	R		
7273	Service requirement code	M an..3	M an..3	2 Road: Full loads/Partloads 3 Road: Groupage	
1131	Code list identification code	C an..17	N	Not used	
3055	Code list responsible agency code	C an..3	N	Not used	
7273	Service requirement code	C an..3	N	Not used	
1131	Code list identification code	C an..17	N	Not used	
3055	Code list responsible agency code	C an..3	N	Not used	
C537	Transport priority	C	C		
4219	Transport service priority code	M an..3	M an..3	3 Normal speed	
1131	Code list identification code	C an..17	N	Not used	
3055	Code list responsible agency code	C an..3	N	Not used	
C703	Nature of cargo	C	N		
7085	Cargo type classification code	M an..3	N	Not used	
1131	Code list identification code	C an..17	N	Not used	
3055	Code list responsible agency code	C an..3	N	Not used	

Remark:

All sub services (incl. insurance codes) are only used in the second occurrence, see tag 7273 on next page.

Example:

TSR++3+3'

No = Consecutive segment number
 MaxOcc = Maximum occurrence of the segment/group
 Counter = Counter of segment/group within the standard

St = Status
 EDIFACT: M=Mandatory, C=Conditional
 User specific: R=Required, O=Optional, D=Dependent,
 A=Advised, N=Not used



Counter	No	Tag	St	MaxOcc	Level	Name
---------	----	-----	----	--------	-------	------

0060 7 **TSR** C 8 1 Transport service requirements

Standard			Implementation	
Tag	Name	St Format	St Format	Usage / Remark
TSR				
C536	Contract and carriage condition	C	N	
4065	Contract and carriage condition code	M an..3	N	Not used
1131	Code list identification code	C an..17	N	Not used
3055	Code list responsible agency code	C an..3	N	Not used
C233	Service	C	R	
7273	Service requirement code	M an..3	M an..3	52 Notification* 90 Before 10 (B10) 201 Personal Delivery Services 202 eParcel 203 ePallet 304 ECO 306 Before 12 (B12) 307 Lift** 308 Return** 309 Installation** 310 Pre-Advice* 311 Before 7 (B7)** 312 Crane** 313 InNight product** 314 Before 16 (B16)**
1131	Code list identification code	C an..17	N	Not used
3055	Code list responsible agency code	C an..3	N	Not used
7273	Service requirement code	C an..3	N	Not used
1131	Code list identification code	C an..17	N	Not used
3055	Code list responsible agency code	C an..3	N	Not used
C537	Transport priority	C	N	
4219	Transport service priority code	M an..3	N	Not used
1131	Code list identification code	C an..17	N	Not used
3055	Code list responsible agency code	C an..3	N	Not used
C703	Nature of cargo	C	N	
7085	Cargo type classification code	M an..3	N	Not used
1131	Code list identification code	C an..17	N	Not used
3055	Code list responsible agency code	C an..3	N	Not used

Remark:

All sub services (incl. insurance codes) are only used in the second occurrence, see tag 7273 on next page.

*If Notification or Preadvice is used, SG10/NAD+NI/SG11/CTA and COM is mandatory

**None standard products/services (only to be used when agreed with DSV EDI Support SE)

Example:

TSR++52'

No = Consecutive segment number
 MaxOcc = Maximum occurrence of the segment/group
 Counter = Counter of segment/group within the standard

St = Status
 EDIFACT: M=Mandatory, C=Conditional
 User specific: R=Required, O=Optional, D=Dependent,
 A=Advised, N=Not used



Counter	No	Tag	St	MaxOcc	Level	Name
---------	----	-----	----	--------	-------	------

0060 8 **TSR** C 9 1 Transport service requirements

Standard			Implementation	
Tag	Name	St Format	St Format	Usage / Remark
TSR				
C536	Contract and carriage condition	C	N	
4065	Contract and carriage condition code	M an..3	N	Not used
1131	Code list identification code	C an..17	N	Not used
3055	Code list responsible agency code	C an..3	N	Not used
C233	Service	C	M	
7273	Service requirement code	M an..3	M an..3	29 Insure goods during transport Service requirement code
1131	Code list identification code	C an..17	N	Not used
3055	Code list responsible agency code	C an..3	N	Not used
7273	Service requirement code	C an..3	N	Not used
1131	Code list identification code	C an..17	N	Not used
3055	Code list responsible agency code	C an..3	N	Not used
C537	Transport priority	C	N	
4219	Transport service priority code	M an..3	N	Not used
1131	Code list identification code	C an..17	N	Not used
3055	Code list responsible agency code	C an..3	N	Not used
C703	Nature of cargo	C	C	
7085	Cargo type classification code	M an..3	D an..3	Cargo type classification code Z1 Ordinary new commercial goods Z2 Used trading goods and/or unpacked goods Z3 High Risk goods Z4 Fragile goods: Furniture, marble, ceramics, art, antiques etc. Z5 Household goods and motor vehicles
1131	Code list identification code	C an..17	N	Not used
3055	Code list responsible agency code	C an..3	D an..3	87 Assigned by carrier

Remark:

All sub services (incl. insurance codes) are only used in the second occurrence, see tag 7273 on next page.
 If Insurance is used, the MOA segment is mandatory (use qualifier 67) which transfer the insured amount

Example:

TSR++29++z1 : : 87'

No = Consecutive segment number
 MaxOcc = Maximum occurrence of the segment/group
 Counter = Counter of segment/group within the standard

St = Status
 EDIFACT: M=Mandatory, C=Conditional
 User specific: R=Required, O=Optional, D=Dependent,
 A=Advised, N=Not used



Counter	No	Tag	St	MaxOcc	Level	Name
0080	9	MOA	C	1	1	Monetary amount

Standard			Implementation	
Tag	Name	St Format	St Format	Usage / Remark
MOA				
C516	Monetary amount	M	M	
5025	Monetary amount type code qualifier	M an..3	M an..3	67 Insurance amount
5004	Monetary amount	C n..35	M n..35	Amount
6345	Currency identification code	C an..3	M an..3	Currency coded (ISO)
6343	Currency type code qualifier	C an..3	N	Not used
4405	Status description code	C an..3	N	Not used

Remark:
MOA segment is used with Insurance service to provide the insurance amount

Example:
MOA+67:1500:SEK'

No = Consecutive segment number
MaxOcc = Maximum occurrence of the segment/group
Counter = Counter of segment/group within the standard

St = Status
EDIFACT: M=Mandatory, C=Conditional
User specific: R=Required, O=Optional, D=Dependent,
A=Advised, N=Not used



Counter	No	Tag	St	MaxOcc	Level	Name
0090	10	FTX	C	2	1	Free text

Standard			Implementation	
Tag	Name	St Format	St Format	Usage / Remark
FTX				
4451	Text subject code qualifier	M an..3	M an..3	BLR Transport document remark CLR Loading remarks Note: Delivery instruction
4453	Free text function code	C an..3	N	Not used
C107	Text reference	C	N	
4441	Free text description code	M an..17	N	Not used
1131	Code list identification code	C an..17	N	Not used
3055	Code list responsible agency code	C an..3	N	Not used
C108	Text literal	C	R	
4440	Free text	M an..512	R an..35	Free text
4440	Free text	C an..512	C an..35	
4440	Free text	C an..512	N	Not used
4440	Free text	C an..512	N	Not used
4440	Free text	C an..512	N	Not used
3453	Language name code	C an..3	N	Not used
4447	Free text format code	C an..3	N	Not used

Remark:

Always use BLR and CLR together, these instructions are intended for the carrier and serve as remarks to the driver for the delivery
 BLR is used for remarks printed on transport documents
 CLR is used for delivery remarks

Example:

FTX+BLR+++Deliver the goods at gate no 1:Go to reception'
 FTX+CLR+++Deliver the goods at gate no 1:Go to reception'

No = Consecutive segment number
 MaxOcc = Maximum occurrence of the segment/group
 Counter = Counter of segment/group within the standard

St = Status
 EDIFACT: M=Mandatory, C=Conditional
 User specific: R=Required, O=Optional, D=Dependent,
 A=Advised, N=Not used



Counter	No	Tag	St	MaxOcc	Level	Name
0090	11	FTX	C	1	1	Free text

Standard			Implementation	
Tag	Name	St Format	St Format	Usage / Remark
FTX				
4451	Text subject code qualifier	M an..3	M an..3	SIC Senders instruction to carrier Note: Pickup instructions
4453	Free text function code	C an..3	N	Not used
C107	Text reference	C	N	
4441	Free text description code	M an..17	N	Not used
1131	Code list identification code	C an..17	N	Not used
3055	Code list responsible agency code	C an..3	N	Not used
C108	Text literal	C	R	
4440	Free text	M an..512	M an..32	Free text
4440	Free text	C an..512	C an..32	
4440	Free text	C an..512	N	Not used
4440	Free text	C an..512	N	Not used
4440	Free text	C an..512	N	Not used
3453	Language name code	C an..3	N	Not used
4447	Free text format code	C an..3	N	Not used

Remark:
SIC instructions are intended for the carrier and serve as remarks to the driver for the pickup

Example:
FTX+SIC+++Load at gate no 1:Document at reception'

No = Consecutive segment number
MaxOcc = Maximum occurrence of the segment/group
Counter = Counter of segment/group within the standard

St = Status
EDIFACT: M=Mandatory, C=Conditional
User specific: R=Required, O=Optional, D=Dependent,
A=Advised, N=Not used



Counter	No	Tag	St	MaxOcc	Level	Name
---------	----	-----	----	--------	-------	------

0100	12	CNT	M	5	1	Control total
------	----	------------	---	---	---	---------------

Standard			Implementation	
Tag	Name	St Format	St Format	Usage / Remark
CNT				
C270	Control	M	M	
6069	Control total type code qualifier	M an..3	M an..3	7 Total gross weight 11 Consignment package quantity 15 Total consignment, cube 57 Total loading metres Z13 EUR Pallet* * = Only to be used according to specific agreement with DSV, contact DSV EDI Support SE
6066	Control total quantity	M n..18	M n..18	LOADINGMETER NUMBER OF PACKAGES NUMBER OF PALLETS SPACE VOLUME GROSSWEIGHT
6411	Measurement unit code	C an..8	R an..8	KGM Kilogram MTQ Cubic meter MTR Loading meters PCE Piece PLL Palletspace** ** = Only to be used according to specific agreement with DSV, contact DSV EDI Support SE

Remark:

Both the gross weight (CNT+7) and the total number of packages (CNT+11) are mandatory, along with volume specifications in either cubic meters, loading meters, or dimensions.

DSV is only accepting a total of whole number of packages.

For gross weight DSV will always round up to nearest whole Number/Integer.

For cubic meters DSV will always round up to nearest highest number if more then 3 decimal are being used.

For loading meters DSV will always round up to nearest highest number if more then 1 decimal are being used.

Note: For dimensions see SG22/DIM.

Example:

CNT+7:20:KGM'
 CNT+15:0.002:MTQ'
 CNT+11:1:PCE'
 CNT+57:0.4:MTR'

No = Consecutive segment number
 MaxOcc = Maximum occurrence of the segment/group
 Counter = Counter of segment/group within the standard

St = Status
 EDIFACT: M=Mandatory, C=Conditional
 User specific: R=Required, O=Optional, D=Dependent,
 A=Advised, N=Not used



Counter	No	Tag	St	MaxOcc	Level	Name
0130		SG1	C	99	1	LOC
0140	13	LOC	M	1	1	Place/location identification

Standard			Implementation	
Tag	Name	St Format	St Format	Usage / Remark
LOC				
3227	Location function code qualifier	M an..3	M an..3	ZBO Booking office code (Branch code)
C517	Location identification	C	C	
3225	Location identifier	C an..35	C an..35	Route code agreed upon with DSV
1131	Code list identification code	C an..17	N	Not used
3055	Code list responsible agency code	C an..3	N	Not used
3224	Location name	C an..256	N	Not used
C519	Related location one identification	C	N	
3223	First related location identifier	C an..35	N	Not used
1131	Code list identification code	C an..17	N	Not used
3055	Code list responsible agency code	C an..3	N	Not used
3222	First related location name	C an..70	N	Not used
C553	Related location two identification	C	N	
3233	Second related location identifier	C an..35	N	Not used
1131	Code list identification code	C an..17	N	Not used
3055	Code list responsible agency code	C an..3	N	Not used
3232	Second related location name	C an..70	N	Not used
5479	Relation code	C an..3	N	Not used

Remark:

Only to be used according to specific agreement with DSV, contact DSV EDI Support SE.
 Booking office code can be used with a specific code or code list

Example:

LOC+ZBO+LAASE'

No = Consecutive segment number
 MaxOcc = Maximum occurrence of the segment/group
 Counter = Counter of segment/group within the standard

St = Status
 EDIFACT: M=Mandatory, C=Conditional
 User specific: R=Required, O=Optional, D=Dependent,
 A=Advised, N=Not used



Counter	No	Tag	St	MaxOcc	Level	Name
	0160	SG2	M	2	1	TOD-LOC
	0170	14 TOD	M	1	1	Terms of delivery or transport

Standard			Implementation	
Tag	Name	St Format	St Format	Usage / Remark
TOD				
4055	Delivery or transport terms function code	C an..3	M an..3	6 Delivery condition
4215	Transport charges payment method code	C an..3	N	Not used
C100	Terms of delivery or transport	C	R	
4053	Delivery or transport terms description code	C an..3	C an..3	Incoterms 2020 or later CIP Carriage and Insurance Paid to (... named place of destination) CPT Carriage Paid To (... named place of destination) DAP Delivered at Place DDP Delivered Duty Paid (... named place of destination) DPU Delivered at Place unloaded EXW Ex Works (... named place) FCA Free Carrier (... named place)
1131	Code list identification code	C an..17	N	Not used
3055	Code list responsible agency code	C an..3	N	Not used
4052	Delivery or transport terms description	C an..70	N	Not used
4052	Delivery or transport terms description	C an..70	N	Not used

Remark:
DSV do not support Combiterms anymore.

Example:
TOD+6++EXW'

No = Consecutive segment number
 MaxOcc = Maximum occurrence of the segment/group
 Counter = Counter of segment/group within the standard

St = Status
 EDIFACT: M=Mandatory, C=Conditional
 User specific: R=Required, O=Optional, D=Dependent,
 A=Advised, N=Not used



Counter	No	Tag	St	MaxOcc	Level	Name
0160		SG2	M	2	1	TOD-LOC
0180	15	LOC	C	1	2	Place/location identification

Standard			Implementation	
Tag	Name	St Format	St Format	Usage / Remark
LOC				
3227	Location function code qualifier	M an..3	M an..3	1 Place of terms of delivery
C517	Location identification	C	C	
3225	Location identifier	C an..35	N	Not used
1131	Code list identification code	C an..17	N	Not used
3055	Code list responsible agency code	C an..3	N	Not used
3224	Location name	C an..256	R an..256	Place/location
C519	Related location one identification	C	N	
3223	First related location identifier	C an..35	N	Not used
1131	Code list identification code	C an..17	N	Not used
3055	Code list responsible agency code	C an..3	N	Not used
3222	First related location name	C an..70	N	Not used
C553	Related location two identification	C	N	
3233	Second related location identifier	C an..35	N	Not used
1131	Code list identification code	C an..17	N	Not used
3055	Code list responsible agency code	C an..3	N	Not used
3232	Second related location name	C an..70	N	Not used
5479	Relation code	C an..3	N	Not used

Remark:

Example:

LOC+1+:::Place/location'

No = Consecutive segment number
 MaxOcc = Maximum occurrence of the segment/group
 Counter = Counter of segment/group within the standard

St = Status
 EDIFACT: M=Mandatory, C=Conditional
 User specific: R=Required, O=Optional, D=Dependent,
 A=Advised, N=Not used



Counter	No	Tag	St	MaxOcc	Level	Name
0190		SG3	R	9	1	RFF
0200	16	RFF	M	99	1	Shipment Identification Types

Standard			Implementation	
Tag	Name	St Format	St Format	Usage / Remark
RFF				
C506	Reference	M	M	
1153	Reference code qualifier	M an..3	R an..5	<p>SRN Shipment reference number AAS Swedish Waybill / SIS Mandatory to use unique SRN or AAS and can only be used once</p> <p>AAO Consignee's shipment reference CU Consignor's shipment reference ZAD SiteID*</p> <p>* = Only to be used according to specific agreement with DSV, contact DSV EDI Support SE</p>
1154	Reference identifier	C an..70	R an..70	<p>Identity number*</p> <p>*GSIN number must not be reallocated within ten years of the shipment date from the seller or sender of the GSIN to a trading partner buyer or recipient to comply with the regulations of the World Customs Organization (WCO). Waybill number according to GS1 standard GSIN is recommended.</p> <p>DSV support usage of SIS number serie but it is no longer possible to order new series from DSV. Existing number range can be reused but needs to be unique for at least 24 months before reuse.</p> <p>We recommend that you use same Document ID as Shippment ID</p>
1156	Document line identifier	C an..6	N	Not used
1056	Version identifier	C an..9	N	Not used
1060	Revision identifier	C an..6	N	Not used

Remark:

SRN = GSIN number ,17 character long (inc check digit)
 AAS = 10 digit Swedish waybillnumber (inc check digit)

The AAO and CU reference can be used as additional reference for Track&Trace search on DSV website (www.dsv.se).

RFF+CU, can be repeated multiple times, each reference will be searchable on DSV Track&Trace (www.dsv.se).

DSV recommend to use RFF+AAO only once.

*SiteID - None standard service. Only to be used upon special agreement with DSV, contact DSV EDI Support SE.

Example:

RFF+SRN:73400858000000038'
 RFF+AAS:6781708042'
 RFF+AAO:Receiver reference'
 RFF+CU:Ordernumber'

No = Consecutive segment number
 MaxOcc = Maximum occurrence of the segment/group
 Counter = Counter of segment/group within the standard

St = Status
 EDIFACT: M=Mandatory, C=Conditional
 User specific: R=Required, O=Optional, D=Dependent,
 A=Advised, N=Not used



Counter	No	Tag	St	MaxOcc	Level	Name
0470		SG8	C	1	1	TDT-SG10
0480	17	TDT	M	1	1	Transport information

Standard			Implementation	
Tag	Name	St Format	St Format	Usage / Remark
TDT				
8051	Transport stage code qualifier	M an..3	M an..3	20 Main-carriage transport
8028	Means of transport journey identifier	C an..17	N	Not used
C220 Mode of transport				
8067	Transport mode name code	C an..3	R an..3	3 Road transport
8066	Transport mode name	C an..17	N	Not used
C001 Transport means				
8179	Transport means description code	C an..8	N	Not used
1131	Code list identification code	C an..17	N	Not used
3055	Code list responsible agency code	C an..3	N	Not used
8178	Transport means description	C an..17	N	Not used
C040 Carrier				
3127	Carrier identifier	C an..17	N	Not used
1131	Code list identification code	C an..17	N	Not used
3055	Code list responsible agency code	C an..3	N	Not used
3126	Carrier name	C an..35	N	Not used
8101	Transit direction indicator code	C an..3	N	Not used
C401 Excess transportation information				
8457	Excess transportation reason code	M an..3	N	Not used
8459	Excess transportation responsibility code	M an..3	N	Not used
7130	Customer shipment authorisation identifier	C an..17	N	Not used
C222 Transport identification				
8213	Transport means identification name identifier	C an..35	N	Not used
1131	Code list identification code	C an..17	N	Not used
3055	Code list responsible agency code	C an..3	N	Not used
8212	Transport means identification name	C an..70	N	Not used
8453	Transport means nationality code	C an..3	N	Not used
8281	Transport means ownership indicator code	C an..3	N	Not used

Remark:

Example:

TDT+20++3'

No = Consecutive segment number
 MaxOcc = Maximum occurrence of the segment/group
 Counter = Counter of segment/group within the standard

St = Status
 EDIFACT: M=Mandatory, C=Conditional
 User specific: R=Required, O=Optional, D=Dependent,
 A=Advised, N=Not used



Counter	No	Tag	St	MaxOcc	Level	Name
0530		SG10	C	99	2	LOC
0540	18	LOC	R	2	2	Place/location identification

Standard			Implementation	
Tag	Name	St Format	St Format	Usage / Remark
LOC				
3227	Location function code qualifier	M an..3	M an..3	5 Place of departure 8 Place of destination
C517	Location identification	C	C	
3225	Location identifier	C an..35	C an..35	POSTALCODE UNLOCODE
1131	Code list identification code	C an..17	C an..17	16 Post code directory
3055	Code list responsible agency code	C an..3	N	Not used
3224	Location name	C an..256	C an..256	CITY
C519	Related location one identification	C	N	
3223	First related location identifier	C an..35	N	Not used
1131	Code list identification code	C an..17	N	Not used
3055	Code list responsible agency code	C an..3	N	Not used
3222	First related location name	C an..70	N	Not used
C553	Related location two identification	C	N	
3233	Second related location identifier	C an..35	N	Not used
1131	Code list identification code	C an..17	N	Not used
3055	Code list responsible agency code	C an..3	N	Not used
3232	Second related location name	C an..70	N	Not used
5479	Relation code	C an..3	N	Not used

Remark:

Example:

LOC+5+SELAA:16::Landskrona'
 LOC+5+SEMMA:::Malmö'
 LOC+8+SELJY:::6:Ljungby'

No = Consecutive segment number
 MaxOcc = Maximum occurrence of the segment/group
 Counter = Counter of segment/group within the standard

St = Status
 EDIFACT: M=Mandatory, C=Conditional
 User specific: R=Required, O=Optional, D=Dependent,
 A=Advised, N=Not used



Counter	No	Tag	St	MaxOcc	Level	Name
	0590	SG12	M	1	1	NAD-SG13-SG16
	0600	NAD	M	1	1	Name and address

Standard			Implementation	
Tag	Name	St Format	St Format	Usage / Remark
NAD				
3035	Party function code qualifier	M an..3	M an..3	CZ Consignor
C082	Party identification details	C	C	
3039	Party identifier	M an..35	M an..35	DSV Account number
1131	Code list identification code	C an..17	N	Not used
3055	Code list responsible agency code	C an..3	R an..3	87 Assigned by carrier 87 to be used for DSV customer number 91 Assigned by seller or seller's agent 91 to be used for address identity
C058	Name and address	C	N	
3124	Name and address description	M an..35	N	Not used
3124	Name and address description	C an..35	N	Not used
3124	Name and address description	C an..35	N	Not used
3124	Name and address description	C an..35	N	Not used
3124	Name and address description	C an..35	N	Not used
C080	Party name	C	C	
3036	Party name	M an..70	M an..70	Name of party
3036	Party name	C an..70	N	Not used
3036	Party name	C an..70	N	Not used
3036	Party name	C an..70	N	Not used
3036	Party name	C an..70	N	Not used
3045	Party name format code	C an..3	N	Not used
C059	Street	C	C	
3042	Street and number or post office box identifier	M an..35	M an..35	Street and number
3042	Street and number or post office box identifier	C an..35	C an..35	Street and number
3042	Street and number or post office box identifier	C an..35	N	Not used
3042	Street and number or post office box identifier	C an..35	N	Not used
3164	City name	C an..35	M an..35	Name of city
C819	Country subdivision details	C	N	
3229	Country subdivision identifier	C an..9	N	Not used
1131	Code list identification code	C an..17	N	Not used
3055	Code list responsible agency code	C an..3	N	Not used
3228	Country subdivision name	C an..70	N	Not used
3251	Postal identification code	C an..17	R an..17	Postal code
3207	Country identifier	C an..3	R an..3	Country code

Remark:

If payer is equal to shipper/sender (NAD+CZ) qualifier ::87 is Mandatory in C082/3055.

The same unique DSV account number can only be used once per NAD.

Example:

NAD+CZ+12345678::87++Test Sender AB+Test street 1:Port A+Landskrona++261 24+SE'

No = Consecutive segment number
 MaxOcc = Maximum occurrence of the segment/group
 Counter = Counter of segment/group within the standard

St = Status
 EDIFACT: M=Mandatory, C=Conditional
 User specific: R=Required, O=Optional, D=Dependent,
 A=Advised, N=Not used

Counter	No	Tag	St	MaxOcc	Level	Name
0630		SG13	C	1	2	CTA-COM
0640	20	CTA	M	1	2	Contact information

Standard			Implementation	
Tag	Name	St Format	St Format	Usage / Remark
CTA				
3139	Contact function code	C an..3	M an..3	IC Information contact
C056	Contact details	C	C	
3413	Contact identifier	C an..17	N	Not used
3412	Contact name	C an..256	R an..256	Name of contact

Remark:

If Contact information (CTA+IC...) is used Communication contact (COM+...) is mandatory.

Example:

CTA+IC+:Anders Andersson'

No = Consecutive segment number
 MaxOcc = Maximum occurrence of the segment/group
 Counter = Counter of segment/group within the standard

St = Status
 EDIFACT: M=Mandatory, C=Conditional
 User specific: R=Required, O=Optional, D=Dependent,
 A=Advised, N=Not used



Counter	No	Tag	St	MaxOcc	Level	Name
	0630	SG13	C	1	2	CTA-COM
	0650	21 COM	M	2	3	Communication contact

Standard			Implementation	
Tag	Name	St Format	St Format	Usage / Remark
COM				
C076	Communication contact	M	M	
3148	Communication address identifier	M an..512	M an..70	Telephone number/Email address
3155	Communication means type code	M an..3	M an..3	TE Telephone EM Email

Remark:

Max one occurrence for "TE" or "EM"

Example:

COM+?+46418391000:TE'

COM+Anders.andersson@dsv.com:EM'

No = Consecutive segment number
 MaxOcc = Maximum occurrence of the segment/group
 Counter = Counter of segment/group within the standard

St = Status
 EDIFACT: M=Mandatory, C=Conditional
 User specific: R=Required, O=Optional, D=Dependent,
 A=Advised, N=Not used



Counter	No	Tag	St	MaxOcc	Level	Name	
	0770	SG16	C	1	2	RFF	
	0780	22	RFF	M	1	2	Reference

Standard			Implementation	
Tag	Name	St Format	St Format	Usage / Remark
RFF				
C506	Reference	M	M	
1153	Reference code qualifier	M an..3	M an..3	Z10 Pallet Handling System
1154	Reference identifier	C an..70	R an..70	Pallet Handling System Party ID (PHS ID)
1156	Document line identifier	C an..6	N	Not used
1056	Version identifier	C an..9	N	Not used
1060	Revision identifier	C an..6	N	Not used

Remark:

Only to be used according to specific agreement with DSV, contact DSV EDI Support SE (Unique Pallet service)

NAD+CZ must be the first NAD-segment when RFF+Z10 is used

Note that RFF+Z10 for NAD+CZ is mapped to Pallet Handling System Party ID 2 (sender)

Example:

RFF+Z10:12345678 '

No = Consecutive segment number
 MaxOcc = Maximum occurrence of the segment/group
 Counter = Counter of segment/group within the standard

St = Status
 EDIFACT: M=Mandatory, C=Conditional
 User specific: R=Required, O=Optional, D=Dependent,
 A=Advised, N=Not used



Counter	No	Tag	St	MaxOcc	Level	Name
0590		SG12	M	1	1	NAD-SG13
0600	23	NAD	M	1	1	Name and address

Standard			Implementation	
Tag	Name	St Format	St Format	Usage / Remark
NAD				
3035	Party function code qualifier	M an..3	M an..3	PW Despatch party
C082	Party identification details	C	C	
3039	Party identifier	M an..35	M an..35	PARTYID
1131	Code list identification code	C an..17	N	Not used
3055	Code list responsible agency code	C an..3	C an..3	91 Assigned by seller or seller's agent
C058	Name and address	C	N	
3124	Name and address description	M an..35	N	Not used
3124	Name and address description	C an..35	N	Not used
3124	Name and address description	C an..35	N	Not used
3124	Name and address description	C an..35	N	Not used
3124	Name and address description	C an..35	N	Not used
C080	Party name	C	C	
3036	Party name	M an..70	M an..70	Party name
3036	Party name	C an..70	N	Not used
3036	Party name	C an..70	N	Not used
3036	Party name	C an..70	N	Not used
3036	Party name	C an..70	N	Not used
3045	Party name format code	C an..3	N	Not used
C059	Street	C	C	
3042	Street and number or post office box identifier	M an..35	M an..35	Street and number
3042	Street and number or post office box identifier	C an..35	C an..35	Street and number
3042	Street and number or post office box identifier	C an..35	N	Not used
3042	Street and number or post office box identifier	C an..35	N	Not used
3164	City name	C an..35	M an..35	Name of city
C819	Country subdivision details	C	N	
3229	Country subdivision identifier	C an..9	N	Not used
1131	Code list identification code	C an..17	N	Not used
3055	Code list responsible agency code	C an..3	N	Not used
3228	Country subdivision name	C an..70	N	Not used
3251	Postal identification code	C an..17	M an..17	Postal code
3207	Country identifier	C an..3	M an..3	Country code

Remark:

Example:

NAD+PW+PARTYID::91++Pickup Company AB+Pickup street:Port 3+Malmö++202 11+SE'

No = Consecutive segment number
 MaxOcc = Maximum occurrence of the segment/group
 Counter = Counter of segment/group within the standard

St = Status
 EDIFACT: M=Mandatory, C=Conditional
 User specific: R=Required, O=Optional, D=Dependent,
 A=Advised, N=Not used



Counter	No	Tag	St	MaxOcc	Level	Name
0630		SG13	C	1	2	CTA-COM
0640	24	CTA	M	1	2	Contact information

Standard			Implementation	
Tag	Name	St Format	St Format	Usage / Remark
CTA				
3139	Contact function code	C an..3	M an..3	IC Information contact
C056	Contact details	C	C	
3413	Contact identifier	C an..17	N	Not used
3412	Contact name	C an..256	R an..256	Name of contact

Remark:

If Contact information (CTA+IC...) is used Communication contact (COM+...) is mandatory.

Example:

CTA+IC+:Anders Andersson'

No = Consecutive segment number
 MaxOcc = Maximum occurrence of the segment/group
 Counter = Counter of segment/group within the standard

St = Status
 EDIFACT: M=Mandatory, C=Conditional
 User specific: R=Required, O=Optional, D=Dependent,
 A=Advised, N=Not used



Counter	No	Tag	St	MaxOcc	Level	Name
	0630	SG13	C	1	2	CTA-COM
	0650	25 COM	M	2	3	Communication contact

Standard			Implementation	
Tag	Name	St Format	St Format	Usage / Remark
COM				
C076	Communication contact	M	M	
3148	Communication address identifier	M an..512	M an..70	Telephone number/Email address
3155	Communication means type code	M an..3	M an..3	TE Telephone EM Email

Remark:

Max one occurrence for "TE" or "EM"

Example:

COM+?+46418391000:TE'

COM+Anders.andersson@dsv.com:EM'

No = Consecutive segment number
 MaxOcc = Maximum occurrence of the segment/group
 Counter = Counter of segment/group within the standard

St = Status
 EDIFACT: M=Mandatory, C=Conditional
 User specific: R=Required, O=Optional, D=Dependent,
 A=Advised, N=Not used



Counter	No	Tag	St	MaxOcc	Level	Name
	0590	SG12	M	1	1	NAD-SG13-SG16
	0600	26 NAD	M	1	1	Name and address

Standard			Implementation	
Tag	Name	St Format	St Format	Usage / Remark
NAD				
3035	Party function code qualifier	M an..3	M an..3	CN Consignee
C082	Party identification details	C	C	
3039	Party identifier	M an..35	C an..35	DSV Account number
1131	Code list identification code	C an..17	N	Not used
3055	Code list responsible agency code	C an..3	C an..3	87 Assigned by carrier 87 to be used for DSV customer number 91 Assigned by seller or seller's agent 91 to be used for address identity
C058	Name and address	C	N	
3124	Name and address description	M an..35	N	Not used
3124	Name and address description	C an..35	N	Not used
3124	Name and address description	C an..35	N	Not used
3124	Name and address description	C an..35	N	Not used
3124	Name and address description	C an..35	N	Not used
C080	Party name	C	C	
3036	Party name	M an..70	M an..70	Name of party
3036	Party name	C an..70	N	Not used
3036	Party name	C an..70	N	Not used
3036	Party name	C an..70	N	Not used
3036	Party name	C an..70	N	Not used
3045	Party name format code	C an..3	N	Not used
C059	Street	C	C	
3042	Street and number or post office box identifier	M an..35	M an..35	Street and number
3042	Street and number or post office box identifier	C an..35	C an..35	Street and number
3042	Street and number or post office box identifier	C an..35	N	Not used
3042	Street and number or post office box identifier	C an..35	N	Not used
3164	City name	C an..35	R an..35	Name of city
C819	Country subdivision details	C	N	
3229	Country subdivision identifier	C an..9	N	Not used
1131	Code list identification code	C an..17	N	Not used
3055	Code list responsible agency code	C an..3	N	Not used
3228	Country subdivision name	C an..70	N	Not used
3251	Postal identification code	C an..17	R an..17	Postal code
3207	Country identifier	C an..3	R an..3	Country code

Remark:

If payer is equal to buyer/receiver (NAD+CN) qualifier ::87 is Mandatory in C082/3055.

The same unique DSV account number can only be used once per NAD.

Example:

NAD+CN+12345678::87++Test Reciever AB+Test street 2:Port B+Karlskrona++371 00+SE'

No = Consecutive segment number
 MaxOcc = Maximum occurrence of the segment/group
 Counter = Counter of segment/group within the standard

St = Status
 EDIFACT: M=Mandatory, C=Conditional
 User specific: R=Required, O=Optional, D=Dependent,
 A=Advised, N=Not used

Counter	No	Tag	St	MaxOcc	Level	Name
	0630	SG13	C	1	2	CTA-COM
	0640	CTA	M	1	2	Contact information

Standard			Implementation	
Tag	Name	St Format	St Format	Usage / Remark
CTA				
3139	Contact function code	C an..3	M an..3	IC Information contact
C056	Contact details	C	C	
3413	Contact identifier	C an..17	N	Not used
3412	Contact name	C an..256	M an..256	Name of contact

Remark:

If Contact information (CTA+IC...) is used Communication contact (COM+...) is mandatory.

Example:

CTA+IC+:Anders Andersson'

No = Consecutive segment number
 MaxOcc = Maximum occurrence of the segment/group
 Counter = Counter of segment/group within the standard

St = Status
 EDIFACT: M=Mandatory, C=Conditional
 User specific: R=Required, O=Optional, D=Dependent,
 A=Advised, N=Not used



Counter	No	Tag	St	MaxOcc	Level	Name
	0630	SG13	C	1	2	CTA-COM
	0650	COM	M	2	3	Communication contact

Standard			Implementation	
Tag	Name	St Format	St Format	Usage / Remark
COM				
C076	Communication contact	M	M	
3148	Communication address identifier	M an..512	M an..70	Telephone number/Email address
3155	Communication means type code	M an..3	M an..3	TE Telephone EM Email

Remark:

Max one occurrence for "TE" or "EM"

Example:

COM+?+46418391000:TE'

COM+Anders.andersson@dsv.com:EM'

No = Consecutive segment number
 MaxOcc = Maximum occurrence of the segment/group
 Counter = Counter of segment/group within the standard

St = Status
 EDIFACT: M=Mandatory, C=Conditional
 User specific: R=Required, O=Optional, D=Dependent,
 A=Advised, N=Not used



Counter	No	Tag	St	MaxOcc	Level	Name
	0770	SG16	C	1	2	RFF
	0780	29 RFF	M	1	2	Reference

Standard			Implementation	
Tag	Name	St Format	St Format	Usage / Remark
RFF				
C506	Reference	M	M	
1153	Reference code qualifier	M an..3	M an..3	Z10 Pallet Handling System
1154	Reference identifier	C an..70	C an..70	Pallet Handling System Party ID (PHS ID)
1156	Document line identifier	C an..6	N	Not used
1056	Version identifier	C an..9	N	Not used
1060	Revision identifier	C an..6	N	Not used

Remark:

Only to be used according to specific agreement with DSV, contact DSV EDI Support SE (Unique Pallet service)

NAD+CZ must be the first NAD-segment when RFF+Z10 is used

RFF+Z10 for NAD+CN is mapped to Pallet Handling System Party ID 1 (consignee)

Example:

RFF+Z10:87564321'

No = Consecutive segment number
 MaxOcc = Maximum occurrence of the segment/group
 Counter = Counter of segment/group within the standard

St = Status
 EDIFACT: M=Mandatory, C=Conditional
 User specific: R=Required, O=Optional, D=Dependent,
 A=Advised, N=Not used



Counter	No	Tag	St	MaxOcc	Level	Name
	0590	SG12	M	1	1	NAD-SG13
	0600	30 NAD	M	3	1	Name and address

Standard			Implementation	
Tag	Name	St Format	St Format	Usage / Remark
NAD				
3035	Party function code qualifier	M an..3	M an..3	DP Delivery party
C082	Party identification details	C	C	
3039	Party identifier	M an..35	M an..35	PARTYID
1131	Code list identification code	C an..17	N	Not used
3055	Code list responsible agency code	C an..3	C an..3	91 Assigned by seller or seller's agent
C058	Name and address	C	N	
3124	Name and address description	M an..35	N	Not used
3124	Name and address description	C an..35	N	Not used
3124	Name and address description	C an..35	N	Not used
3124	Name and address description	C an..35	N	Not used
3124	Name and address description	C an..35	N	Not used
C080	Party name	C	C	
3036	Party name	M an..70	M an..70	Name of party
3036	Party name	C an..70	N	Not used
3036	Party name	C an..70	N	Not used
3036	Party name	C an..70	N	Not used
3036	Party name	C an..70	N	Not used
3045	Party name format code	C an..3	N	Not used
C059	Street	C	C	
3042	Street and number or post office box identifier	M an..35	M an..35	Street and number
3042	Street and number or post office box identifier	C an..35	C an..35	Street and number
3042	Street and number or post office box identifier	C an..35	N	Not used
3042	Street and number or post office box identifier	C an..35	N	Not used
3164	City name	C an..35	M an..35	Name of city
C819	Country subdivision details	C	N	
3229	Country subdivision identifier	C an..9	N	Not used
1131	Code list identification code	C an..17	N	Not used
3055	Code list responsible agency code	C an..3	N	Not used
3228	Country subdivision name	C an..70	N	Not used
3251	Postal identification code	C an..17	M an..17	Postal code
3207	Country identifier	C an..3	M an..3	Country code

Remark:

Example:

NAD+DP+PARTYID::91++Delivery Company AB+Delivery street 4:Port 4+Ljungby++341 96+SE'

No = Consecutive segment number
 MaxOcc = Maximum occurrence of the segment/group
 Counter = Counter of segment/group within the standard

St = Status
 EDIFACT: M=Mandatory, C=Conditional
 User specific: R=Required, O=Optional, D=Dependent,
 A=Advised, N=Not used

Counter	No	Tag	St	MaxOcc	Level	Name
0630		SG13	C	1	2	CTA-COM
0640	31	CTA	M	1	2	Contact information

Standard			Implementation	
Tag	Name	St Format	St Format	Usage / Remark
CTA				
3139	Contact function code	C an..3	M an..3	IC Information contact
C056	Contact details	C	C	
3413	Contact identifier	C an..17	N	Not used
3412	Contact name	C an..256	M an..256	Name of contact

Remark:

If Contact information (CTA+IC...) is used Communication contact (COM+...) is mandatory.

Example:

CTA+IC+:Anders Andersson'

No = Consecutive segment number
 MaxOcc = Maximum occurrence of the segment/group
 Counter = Counter of segment/group within the standard

St = Status
 EDIFACT: M=Mandatory, C=Conditional
 User specific: R=Required, O=Optional, D=Dependent,
 A=Advised, N=Not used



Counter	No	Tag	St	MaxOcc	Level	Name
	0630	SG13	C	1	2	CTA-COM
	0650	COM	M	2	3	Communication contact

Standard			Implementation	
Tag	Name	St Format	St Format	Usage / Remark
COM				
C076	Communication contact	M	M	
3148	Communication address identifier	M an..512	M an..70	Telephone number/Email address
3155	Communication means type code	M an..3	M an..3	TE Telephone EM Email

Remark:

Max one occurrence for "TE" or "EM"

Example:

COM+?+46418391000:TE'

COM+Anders.andersson@dsv.com:EM'

No = Consecutive segment number
 MaxOcc = Maximum occurrence of the segment/group
 Counter = Counter of segment/group within the standard

St = Status
 EDIFACT: M=Mandatory, C=Conditional
 User specific: R=Required, O=Optional, D=Dependent,
 A=Advised, N=Not used



Counter	No	Tag	St	MaxOcc	Level	Name
0590		SG12	C	1	1	NAD
0600	33	NAD	M	1	1	Name and address

Standard			Implementation	
Tag	Name	St Format	St Format	Usage / Remark
NAD				
3035	Party function code qualifier	M an..3	M an..3	FP Freight/charges payer NAD+FP is used to identify third party payer
C082	Party identification details	C	R	
3039	Party identifier	M an..35	M an..35	DSV account number
1131	Code list identification code	C an..17	N	Not used
3055	Code list responsible agency code	C an..3	M an..3	87 Assigned by carrier 87 to be used for DSV customer number
C058	Name and address	C	N	
3124	Name and address description	M an..35	N	Not used
3124	Name and address description	C an..35	N	Not used
3124	Name and address description	C an..35	N	Not used
3124	Name and address description	C an..35	N	Not used
3124	Name and address description	C an..35	N	Not used
C080	Party name	C	C	
3036	Party name	M an..70	O an..70	Name of party
3036	Party name	C an..70	N	Not used
3036	Party name	C an..70	N	Not used
3036	Party name	C an..70	N	Not used
3036	Party name	C an..70	N	Not used
3045	Party name format code	C an..3	N	Not used
C059	Street	C	C	
3042	Street and number or post office box identifier	M an..35	O an..35	Street and number
3042	Street and number or post office box identifier	C an..35	O an..35	Street and number
3042	Street and number or post office box identifier	C an..35	N	Not used
3042	Street and number or post office box identifier	C an..35	N	Not used
3164	City name	C an..35	M O	Name of city
C819	Country subdivision details	C	N	
3229	Country subdivision identifier	C an..9	N	Not used
1131	Code list identification code	C an..17	N	Not used
3055	Code list responsible agency code	C an..3	N	Not used
3228	Country subdivision name	C an..70	N	Not used
3251	Postal identification code	C an..17	M O	Postal code
3207	Country identifier	C an..3	M O	Country code

Remark:

When using NAD+FP, it is mandatory to use a unique DSV account number.

The same unique DSV account number can only be used once per NAD.

Example:

NAD+FP+12345678::87++Payer Company AB+Payer street 1:Box 1+Landskrona++261 25+SE'

No = Consecutive segment number
 MaxOcc = Maximum occurrence of the segment/group
 Counter = Counter of segment/group within the standard

St = Status
 EDIFACT: M=Mandatory, C=Conditional
 User specific: R=Required, O=Optional, D=Dependent,
 A=Advised, N=Not used



Counter	No	Tag	St	MaxOcc	Level	Name
0590		SG12	C	1	1	NAD-SG13
0600	34	NAD	M	1	1	Name and address

Standard			Implementation	
Tag	Name	St Format	St Format	Usage / Remark
NAD				
3035	Party function code qualifier	M an..3	M an..3	NI Notify party
C082	Party identification details	C	N	
3039	Party identifier	M an..35	N	Not used
1131	Code list identification code	C an..17	N	Not used
3055	Code list responsible agency code	C an..3	N	Not used
C058	Name and address	C	N	
3124	Name and address description	M an..35	N	Not used
3124	Name and address description	C an..35	N	Not used
3124	Name and address description	C an..35	N	Not used
3124	Name and address description	C an..35	N	Not used
3124	Name and address description	C an..35	N	Not used
C080	Party name	C	C	
3036	Party name	M an..70	O an..70	Name of party
3036	Party name	C an..70	N	Not used
3036	Party name	C an..70	N	Not used
3036	Party name	C an..70	N	Not used
3036	Party name	C an..70	N	Not used
3045	Party name format code	C an..3	N	Not used
C059	Street	C	C	
3042	Street and number or post office box identifier	M an..35	O an..35	Street and number
3042	Street and number or post office box identifier	C an..35	O an..35	Street and number
3042	Street and number or post office box identifier	C an..35	N	Not used
3042	Street and number or post office box identifier	C an..35	N	Not used
3164	City name	C an..35	O an..35	Name of city
C819	Country subdivision details	C	N	
3229	Country subdivision identifier	C an..9	N	Not used
1131	Code list identification code	C an..17	N	Not used
3055	Code list responsible agency code	C an..3	N	Not used
3228	Country subdivision name	C an..70	N	Not used
3251	Postal identification code	C an..17	O an..17	Postal code
3207	Country identifier	C an..3	O an..3	Country code

Remark:

NAD+NI is only used for the Notification- and PreAdvice service (domestic) which trigger the process of the CTA and COM segment in SG13. Please see TSR(2).

Only used for road products.

Example:

NAD+NI+++X+X:X+X++X+X'

No = Consecutive segment number
 MaxOcc = Maximum occurrence of the segment/group
 Counter = Counter of segment/group within the standard

St = Status
 EDIFACT: M=Mandatory, C=Conditional
 User specific: R=Required, O=Optional, D=Dependent,
 A=Advised, N=Not used



Counter	No	Tag	St	MaxOcc	Level	Name
0630		SG13	M	1	2	CTA-COM
0640	35	CTA	M	1	2	Contact information

Standard			Implementation	
Tag	Name	St Format	St Format	Usage / Remark
CTA				
3139	Contact function code	C an..3	M an..3	IC Information contact
C056	Contact details	C	C	
3413	Contact identifier	C an..17	N	Not used
3412	Contact name	C an..256	R an..256	Contact Name

Remark:

If Contact information (CTA+IC...) is used Communication contact (COM+...) is mandatory.

Example:

CTA+IC+:Anders Andersson'

No = Consecutive segment number
 MaxOcc = Maximum occurrence of the segment/group
 Counter = Counter of segment/group within the standard

St = Status
 EDIFACT: M=Mandatory, C=Conditional
 User specific: R=Required, O=Optional, D=Dependent,
 A=Advised, N=Not used



Counter	No	Tag	St	MaxOcc	Level	Name
0630		SG13	M	1	2	CTA-COM
0650	36	COM	M	1	3	Communication contact

Standard			Implementation	
Tag	Name	St Format	St Format	Usage / Remark
COM				
C076	Communication contact	M	M	
3148	Communication address identifier	M an..512	M an..70	Telephone number
3155	Communication means type code	M an..3	M an..3	TE Telephone

Remark:

Max one occurrence for "TE"

Example:

COM+?+46418391000:TE'

No = Consecutive segment number
 MaxOcc = Maximum occurrence of the segment/group
 Counter = Counter of segment/group within the standard

St = Status
 EDIFACT: M=Mandatory, C=Conditional
 User specific: R=Required, O=Optional, D=Dependent,
 A=Advised, N=Not used



Counter	No	Tag	St	MaxOcc	Level	Name
0920		SG19	R	99999	1	GID-HAN-RNG-LOC-MOA-FTX-SG21-SG22-SG24-SG33
0930	37	GID	R	1	1	Goods item details

Standard			Implementation	
Tag	Name	St Format	St Format	Usage / Remark
GID				
1496	Goods item number	C an..6	R an..6	Sequence counter
C213	Number and type of packages	C	R	
7224	Package quantity	C n..8	R n..8	Quantity
7065	Package type description code	C an..17	R an..17	BAG Bag BOB Bundle of bottles BOX Box CAN Can CAS Case CLL Colli CON Pallet Container CRT Crate CTN Carton DRM Drum EUR Euro Pallet GIB Gitter box HPL Half pallet IBC IBC IPL Industry pallet JCN Jerry Can LGM Light Gauge Metal Packing LOAD Load PLL Pallet PLT Pallet Unspecified PXL Pallet Extra Large QPL Quarter Pallet RLL Roll UPL Odd size pallet
1131	Code list identification code	C an..17	N	Not used
3055	Code list responsible agency code	C an..3	N	Not used
7064	Type of packages	C an..35	N	Not used
7233	Packaging related description code	C an..3	N	Not used
C213	Number and type of packages	C	N	
7224	Package quantity	C n..8	N	Not used
7065	Package type description code	C an..17	N	Not used
1131	Code list identification code	C an..17	N	Not used
3055	Code list responsible agency code	C an..3	N	Not used
7064	Type of packages	C an..35	N	Not used
7233	Packaging related description code	C an..3	N	Not used
C213	Number and type of packages	C	N	
7224	Package quantity	C n..8	N	Not used

No = Consecutive segment number
 MaxOcc = Maximum occurrence of the segment/group
 Counter = Counter of segment/group within the standard

St = Status
 EDIFACT: M=Mandatory, C=Conditional
 User specific: R=Required, O=Optional, D=Dependent,
 A=Advised, N=Not used

		Standard	Implementation	
Tag	Name	St Format	St Format	Usage / Remark
7065	Package type description code	C an..17	N	Not used
1131	Code list identification code	C an..17	N	Not used
3055	Code list responsible agency code	C an..3	N	Not used
7064	Type of packages	C an..35	N	Not used
7233	Packaging related description code	C an..3	N	Not used
C213	Number and type of packages	C	N	
7224	Package quantity	C n..8	N	Not used
7065	Package type description code	C an..17	N	Not used
1131	Code list identification code	C an..17	N	Not used
3055	Code list responsible agency code	C an..3	N	Not used
7064	Type of packages	C an..35	N	Not used
7233	Packaging related description code	C an..3	N	Not used
C213	Number and type of packages	C	N	
7224	Package quantity	C n..8	N	Not used
7065	Package type description code	C an..17	N	Not used
1131	Code list identification code	C an..17	N	Not used
3055	Code list responsible agency code	C an..3	N	Not used
7064	Type of packages	C an..35	N	Not used
7233	Packaging related description code	C an..3	N	Not used

Remark:

This is the only Package code list DSV accept according to DSVs Booking Data Standard

DSV is only accepting a total of whole number/integer of packages.

Note: Different packagetypes need to be defined in seperate GID rows.

Example:

GID+1+1:CLL'

No = Consecutive segment number
 MaxOcc = Maximum occurrence of the segment/group
 Counter = Counter of segment/group within the standard

St = Status
 EDIFACT: M=Mandatory, C=Conditional
 User specific: R=Required, O=Optional, D=Dependent,
 A=Advised, N=Not used



Counter	No	Tag	St	MaxOcc	Level	Name
0920		SG19	R	99999	1	GID-HAN-RNG-LOC-MOA-FTX-SG21-SG22-SG24-SG33
0940	38	HAN	C	99	2	Handling instructions

Standard			Implementation	
Tag	Name	St Format	St Format	Usage / Remark
HAN				
C524	Handling instructions	C	C	
4079	Handling instruction description code	C an..3	C an..3	List of valid codes 3 Stacked ZNS No Stackability
1131	Code list identification code	C an..17	N	Not used
3055	Code list responsible agency code	C an..3	N	Not used
4078	Handling instruction description	C an..512	N	Not used
C218	Hazardous material	C	N	
7419	Hazardous material category name code	C an..7	N	Not used
1131	Code list identification code	C an..17	N	Not used
3055	Code list responsible agency code	C an..3	N	Not used
7418	Hazardous material category name	C an..35	N	Not used

Remark:

Used to indicate that the goods can be stacked, if this segment is not used DSV is going to handle the goods as not stacked.

Example:

HAN+3 '

No = Consecutive segment number
 MaxOcc = Maximum occurrence of the segment/group
 Counter = Counter of segment/group within the standard

St = Status
 EDIFACT: M=Mandatory, C=Conditional
 User specific: R=Required, O=Optional, D=Dependent,
 A=Advised, N=Not used



Counter	No	Tag	St	MaxOcc	Level	Name
0920		SG19	R	99999	1	GID-HAN-RNG-LOC-MOA-FTX-SG21-SG22-SG24-SG33
0960	39	RNG	C	1	2	Range details

Standard			Implementation	
Tag	Name	St Format	St Format	Usage / Remark
RNG				
6167	Range type code qualifier	M an..3	M an..3	1 Allowance range
C280	Range	C	R	
6411	Measurement unit code	M an..8	M an..8	CEL degree Celsius
6162	Range minimum quantity	C n..18	R n..18	MIN
6152	Range maximum quantity	C n..18	R n..18	MAX

Remark:

Only used for road products and with following remarks:

1. See subservice "Frost sensitive goods", default value is "RNG+1+CEL:0:99"
2. See subservice "Temperature Goods", please use a range with min and max degree, see examples:
 Heated: RNG+1+CEL:0:99'
 Cooled: RNG+1+CEL:-99:0'

Example:

RNG+1+CEL:5:10'

No = Consecutive segment number
 MaxOcc = Maximum occurrence of the segment/group
 Counter = Counter of segment/group within the standard

St = Status
 EDIFACT: M=Mandatory, C=Conditional
 User specific: R=Required, O=Optional, D=Dependent,
 A=Advised, N=Not used



Counter	No	Tag	St	MaxOcc	Level	Name
0920		SG19	R	99999	1	GID-HAN-RNG-LOC-MOA-FTX-SG21-SG22-SG24-SG33
0980	40	LOC	C	1	2	Place/location identification

Standard			Implementation		
Tag	Name	St Format	St Format	Usage / Remark	
LOC					
3227	Location function code qualifier	M an..3	M an..3	27 Country of origin	
C517	Location identification	C	C		
3225	Location identifier	C an..35	R an..35	Country code	
1131	Code list identification code	C an..17	R an..17	162	
3055	Code list responsible agency code	C an..3	N	Not used	
3224	Location name	C an..256	N	Not used	
C519	Related location one identification	C	N		
3223	First related location identifier	C an..35	N	Not used	
1131	Code list identification code	C an..17	N	Not used	
3055	Code list responsible agency code	C an..3	N	Not used	
3222	First related location name	C an..70	N	Not used	
C553	Related location two identification	C	N		
3233	Second related location identifier	C an..35	N	Not used	
1131	Code list identification code	C an..17	N	Not used	
3055	Code list responsible agency code	C an..3	N	Not used	
3232	Second related location name	C an..70	N	Not used	
5479	Relation code	C an..3	N	Not used	

Remark:

For customs purpose only (when relevant)

Example:

LOC+27+SE:162'

No = Consecutive segment number
 MaxOcc = Maximum occurrence of the segment/group
 Counter = Counter of segment/group within the standard

St = Status
 EDIFACT: M=Mandatory, C=Conditional
 User specific: R=Required, O=Optional, D=Dependent,
 A=Advised, N=Not used



Counter	No	Tag	St	MaxOcc	Level	Name
0920		SG19	R	99999	1	GID-HAN-RNG-LOC-MOA-FTX-SG21-SG22-SG24-SG33
0990	41	MOA	C	1	2	Monetary amount

Standard			Implementation	
Tag	Name	St Format	St Format	Usage / Remark
MOA				
C516	Monetary amount	M	M	
5025	Monetary amount type code qualifier	M an..3	M an..3	123 Goods item for statistics declared value amount
5004	Monetary amount	C n..35	R n..35	Goods value
6345	Currency identification code	C an..3	R an..3	Currency
6343	Currency type code qualifier	C an..3	N	Not used
4405	Status description code	C an..3	N	Not used

Remark:

For customs purpose only (when relevant)

Example:

MOA+123:Goods value:Currency'

MOA+123:550:SEK'

No = Consecutive segment number
 MaxOcc = Maximum occurrence of the segment/group
 Counter = Counter of segment/group within the standard

St = Status
 EDIFACT: M=Mandatory, C=Conditional
 User specific: R=Required, O=Optional, D=Dependent,
 A=Advised, N=Not used



Counter	No	Tag	St	MaxOcc	Level	Name
0920		SG19	R	99999	1	GID-HAN-RNG-LOC-MOA-FTX-SG21-SG22-SG24-SG33
1010	42	FTX	M	1	2	Free text

Standard			Implementation	
Tag	Name	St Format	St Format	Usage / Remark
FTX				
4451	Text subject code qualifier	M an..3	M an..3	AAA Goods item description
4453	Free text function code	C an..3	N	Not used
C107	Text reference	C	N	
4441	Free text description code	M an..17	M an..17	
1131	Code list identification code	C an..17	N	Not used
3055	Code list responsible agency code	C an..3	N	Not used
C108	Text literal	C	R	
4440	Free text	M an..512	M an..512	Goods description
4440	Free text	C an..512	N	Not used
4440	Free text	C an..512	N	Not used
4440	Free text	C an..512	N	Not used
4440	Free text	C an..512	N	Not used
3453	Language name code	C an..3	N	Not used
4447	Free text format code	C an..3	N	Not used

Remark:

Example:

FTX+AAA+++Goods description'
 FTX+AAA+++Shoes'

No = Consecutive segment number
 MaxOcc = Maximum occurrence of the segment/group
 Counter = Counter of segment/group within the standard

St = Status
 EDIFACT: M=Mandatory, C=Conditional
 User specific: R=Required, O=Optional, D=Dependent,
 A=Advised, N=Not used



Counter	No	Tag	St	MaxOcc	Level	Name
	1080	SG21	R	4	2	MEA
	1090	43 MEA	M	4	2	Measurements

Standard			Implementation	
Tag	Name	St Format	St Format	Usage / Remark
MEA				
6311	Measurement purpose code qualifier	M an..3	M an..3	LMT Loading meters VOL Volume WT Weights
C502	Measurement details	C	C	
6313	Measured attribute code	C an..3	R an..3	ADZ Declared net weight AAB Goods item gross weight Net weight only used for customs declaration
6321	Measurement significance code	C an..3	N	Not used
6155	Non-discrete measurement name code	C an..17	N	Not used
6154	Non-discrete measurement name	C an..70	N	Not used
C174	Value/range	C	R	
6411	Measurement unit code	M an..8	M an..8	KGM Kilogram KGM is always mandatory MTQ Cubic meter MTR Meter
6314	Measure	C an..18	R an..18	VOLUME Max 3 decimals allowed WEIGHT Recommend to use whole number in KGM LOADINGMETER 1 decimal is recommended (Max 3 decimals allowed)
6162	Range minimum quantity	C n..18	N	Not used
6152	Range maximum quantity	C n..18	N	Not used
6432	Significant digits quantity	C n..2	N	Not used
7383	Surface or layer code	C an..3	N	Not used

Remark:

Gross weight (MEA+WT) are mandatory, along with volume specifications in either cubic meters, loading meters or dimensions (see SG22/DIM).

Special note regarding loading meter. There is a round up to one decimal per GID-group why summary of LDM values can differ if multiple GID-group are used.

For gross weight DSV will always round up to nearest whole number.

For cubic meters DSV will always round up to nearest highest number if more then 3 decimal are being used.

For loading meters DSV will always round up to nearest highest number if more then 1 decimal are being used.

Example:

MEA+WT+AAB+KGM:100'

MEA+VOL+MTQ:2'

MEA+LMT+MTR:2'

No = Consecutive segment number
MaxOcc = Maximum occurrence of the segment/group
Counter = Counter of segment/group within the standard

St = Status
EDIFACT: M=Mandatory, C=Conditional
User specific: R=Required, O=Optional, D=Dependent,
A=Advised, N=Not used



Counter	No	Tag	St	MaxOcc	Level	Name
	1110	SG22	C	1	2	DIM
	1120	44 DIM	M	1	2	Dimensions

Standard			Implementation	
Tag	Name	St Format	St Format	Usage / Remark
DIM				
6145	Dimension type code qualifier	M an..3	M an..3	1 Gross dimensions
C211	Dimensions	M	M	
6411	Measurement unit code	M an..8	M an..8	MTR Meter
6168	Length measure	C n..15	R n..15	Length
6140	Width measure	C n..15	R n..15	Width
6008	Height measure	C n..15	R n..15	Height

Remark:

Example:

DIM+1+MTR:1.2:0.8:1.0'

No = Consecutive segment number
 MaxOcc = Maximum occurrence of the segment/group
 Counter = Counter of segment/group within the standard

St = Status
 EDIFACT: M=Mandatory, C=Conditional
 User specific: R=Required, O=Optional, D=Dependent,
 A=Advised, N=Not used



Counter	No	Tag	St	MaxOcc	Level	Name
	1170	SG24	C	999	2	PCI-GIN
	1180	45 PCI	M	1	2	Package identification

Standard			Implementation	
Tag	Name	St Format	St Format	Usage / Remark
PCI				
4233	Marking instructions code	C an..3	M an..3	17 Seller's instructions 18 Carrier's instructions
C210	Marks & labels	C	N	
7102	Shipping marks description	M an..35	N	Not used
7102	Shipping marks description	C an..35	N	Not used
7102	Shipping marks description	C an..35	N	Not used
7102	Shipping marks description	C an..35	N	Not used
7102	Shipping marks description	C an..35	N	Not used
7102	Shipping marks description	C an..35	N	Not used
7102	Shipping marks description	C an..35	N	Not used
7102	Shipping marks description	C an..35	N	Not used
7102	Shipping marks description	C an..35	N	Not used
8169	Full or empty indicator code	C an..3	N	Not used
C827	Type of marking	C	N	
7511	Marking type code	M an..3	N	Not used
1131	Code list identification code	C an..17	N	Not used
3055	Code list responsible agency code	C an..3	N	Not used

Remark:

PCI+18 is used for SSCC which is standard for DSV production. Contact GS1 organization for more information, see www.gs1.com

PCI+17 is used for unique id created by seller that is not an SSCC.

Example:

PCI+18'

PCI+17'

No = Consecutive segment number
 MaxOcc = Maximum occurrence of the segment/group
 Counter = Counter of segment/group within the standard

St = Status
 EDIFACT: M=Mandatory, C=Conditional
 User specific: R=Required, O=Optional, D=Dependent,
 A=Advised, N=Not used



Counter	No	Tag	St	MaxOcc	Level	Name
1170		SG24	C	999	2	PCI-GIN
1210	46	GIN	R	10	3	GOODS IDENTITY NUMBER

Standard			Implementation	
Tag	Name	St Format	St Format	Usage / Remark
GIN				
7405	Object identification code qualifier	M an..3	M an..3	DSV recommend the usage of SSCC as AW AW Serial shipping container code BN Serial number Object identification code qualifier
C208	Identity number range	M	M	
7402	Object identifier	M an..35	M an..35	Object identifier
7402	Object identifier	C an..35	C an..35	Object identifier
C208	Identity number range	C	C	
7402	Object identifier	M an..35	M an..35	Object identifier
7402	Object identifier	C an..35	C an..35	Object identifier
C208	Identity number range	C	C	
7402	Object identifier	M an..35	M an..35	Object identifier
7402	Object identifier	C an..35	C an..35	Object identifier
C208	Identity number range	C	C	
7402	Object identifier	M an..35	M an..35	Object identifier
7402	Object identifier	C an..35	C an..35	Object identifier
C208	Identity number range	C	C	
7402	Object identifier	M an..35	M an..35	Object identifier
7402	Object identifier	C an..35	C an..35	Object identifier

Remark:

DSV recommend, according to the standard, not to use the APPLICATION INTERFACE "AI" prefix.
Example: 00157145990073082283 should be 157145990073082283.

Example:

GIN+AW+073000093496312546:073000090414361624+073000090414361631:073000090414361648+073000090414361655:073000093496312539+073000123496312546:073000053496312546+073000093496312789:073000093496312684

No = Consecutive segment number
MaxOcc = Maximum occurrence of the segment/group
Counter = Counter of segment/group within the standard

St = Status
EDIFACT: M=Mandatory, C=Conditional
User specific: R=Required, O=Optional, D=Dependent,
A=Advised, N=Not used



Counter	No	Tag	St	MaxOcc	Level	Name
1170		SG24	C	999	2	PCI
1180	47	PCI	M	1	2	Package identification

Standard			Implementation	
Tag	Name	St Format	St Format	Usage / Remark
PCI				
4233	Marking instructions code	C an..3	M an..3	24 Shipper assigned
C210	Marks & labels	C	C	
7102	Shipping marks description	M an..35	M an..18	
7102	Shipping marks description	C an..35	N	Not used
7102	Shipping marks description	C an..35	N	Not used
7102	Shipping marks description	C an..35	N	Not used
7102	Shipping marks description	C an..35	N	Not used
7102	Shipping marks description	C an..35	N	Not used
7102	Shipping marks description	C an..35	N	Not used
7102	Shipping marks description	C an..35	N	Not used
7102	Shipping marks description	C an..35	N	Not used
8169	Full or empty indicator code	C an..3	N	Not used
C827	Type of marking	C	N	
7511	Marking type code	M an..3	N	Not used
1131	Code list identification code	C an..17	N	Not used
3055	Code list responsible agency code	C an..3	N	Not used

Remark:
 PCI+24 is used for free text only (only one occurrence per GID group)

Example:
 PCI+24+XXXX'

No = Consecutive segment number
 MaxOcc = Maximum occurrence of the segment/group
 Counter = Counter of segment/group within the standard

St = Status
 EDIFACT: M=Mandatory, C=Conditional
 User specific: R=Required, O=Optional, D=Dependent,
 A=Advised, N=Not used



Counter	No	Tag	St	MaxOcc	Level	Name
1530		SG33	C	99	2	DGS-FTX-SG35
1540	48	DGS	M	1	2	DANGEROUS GOODS

Standard			Implementation		
Tag	Name	St Format	St Format	Usage / Remark	
DGS					
8273	Dangerous goods regulations code	C an..3	C an..3	ADR European agreement on the international carriage of dangerous goods on road (ADR)	
C205	Hazard code	C	C		
8351	Hazard identification code	M an..7	M an..7	Hazard identification code	
8078	Additional hazard classification identifier	C an..7	C an..7		
8092	Hazard code version identifier	C an..10	C an..10	Hazard code version identifier	
C234	UNDG information	C	C		
7124	United Nations Dangerous Goods (UNDG) identifier	C n4	C n4	United Nations Dangerous Goods UNDG identifier	
7088	Dangerous goods flashpoint description	C an..8	C an..8	To describe the flashpoint of dangerous goods Dangerous goods flashpoint description	
C223	Dangerous goods shipment flashpoint	C	C	Temperature at which a vapor can be ignited as per ISO 1523	
7106	Shipment flashpoint degree	C n3	C an..10	Shipment flashpoint degree	
6411	Measurement unit code	C an..8	C an..8	Measurement unit code	
8339	Packaging danger level code	C an..3	C an..3	1 Great danger 2 Medium danger 3 Minor danger Packaging danger level code	
8364	Emergency procedure for ships identifier	C an..6	C an..6	Emergency procedure for ships identifier	
8410	Hazard medical first aid guide identifier	C an..4	C an..4	Hazard medical first aid guide identifier	
8126	Transport emergency card identifier	C an..10	C an..10	Transport emergency card identifier	
C235	Hazard identification placard details	C	C		
8158	Orange hazard placard upper part identifier	C an..4	C an..4	Orange hazard placard upper part identifier	
8186	Orange hazard placard lower part identifier	C an4	C an4	Orange hazard placard lower part identifier	
C236	Dangerous goods label	C	C		
8246	Dangerous goods marking identifier	C an..4	C an..4	Dangerous goods marking identifier	
8246	Dangerous goods marking identifier	C an..4	C an..4	Dangerous goods marking identifier	
8246	Dangerous goods marking identifier	C an..4	C an..4	Dangerous goods marking identifier	
8246	Dangerous goods marking identifier	C an..4	C an..4	Dangerous goods marking identifier	
8255	Packing instruction type code	C an..3	C an..3	Packing instruction type code	
8179	Transport means description code	C an..8	C an..8	Transport means description code	
8211	Hazardous cargo transport	C an..3	C an..3	Hazardous cargo transport authorisation	

No = Consecutive segment number
 MaxOcc = Maximum occurrence of the segment/group
 Counter = Counter of segment/group within the standard

St = Status
 EDIFACT: M=Mandatory, C=Conditional
 User specific: R=Required, O=Optional, D=Dependent,
 A=Advised, N=Not used



		Standard	Implementation	
Tag	Name	St Format	St Format	Usage / Remark
	authorisation code			code
C289	Tunnel Restriction	C	C	
8461	Tunnel Restriction Code	C an..6	C an..6	Tunnel Restriction Code
1131	Code list identification code	C an..17	N	Not used
3055	Code list responsible agency code	C an..3	N	Not used

Remark:

Example:

DGS+ADR+9:x:3?+6.1?+4+3082:200+:CEL+3+No Eme+++ :0001+++31++E'

No = Consecutive segment number
 MaxOcc = Maximum occurrence of the segment/group
 Counter = Counter of segment/group within the standard

St = Status
 EDIFACT: M=Mandatory, C=Conditional
 User specific: R=Required, O=Optional, D=Dependent,
 A=Advised, N=Not used



Counter	No	Tag	St	MaxOcc	Level	Name
1530		SG33	C	99	2	DGS-FTX-SG35
1550	49	FTX	C	99	3	FREE TEXT

Standard			Implementation	
Tag	Name	St Format	St Format	Usage / Remark
FTX				
4451	Text subject code qualifier	M an..3	M an..3	AAC Dangerous goods additional information Text subject code qualifier
4453	Free text function code	C an..3	C an..3	Free text function code
C107	Text reference	C	N	
4441	Free text description code	M an..17	N	Not used
1131	Code list identification code	C an..17	N	Not used
3055	Code list responsible agency code	C an..3	N	Not used
C108	Text literal	C	C	Free text one to five lines
4440	Free text	M an..512	M an..512	Free text
4440	Free text	C an..512	C an..512	Free text
4440	Free text	C an..512	C an..512	Free text
4440	Free text	C an..512	C an..512	Free text
4440	Free text	C an..512	C an..512	Free text
3453	Language name code	C an..3	N	Not used
4447	Free text format code	C an..3	N	Not used

Remark:

To provide free form or coded text information

Example:

FTX+AAC+++Environmentally hazardous substance, liquid, n.o.s.'

No = Consecutive segment number
 MaxOcc = Maximum occurrence of the segment/group
 Counter = Counter of segment/group within the standard

St = Status
 EDIFACT: M=Mandatory, C=Conditional
 User specific: R=Required, O=Optional, D=Dependent,
 A=Advised, N=Not used



Counter	No	Tag	St	MaxOcc	Level	Name
1530		SG33	C	99	2	DGS-FTX-SG35
1550	50	FTX	C	99	3	FREE TEXT

Standard			Implementation	
Tag	Name	St Format	St Format	Usage / Remark
FTX				
4451	Text subject code qualifier	M an..3	M an..3	AAD Proper Shipping Name Text subject code qualifier
4453	Free text function code	C an..3	C an..3	Free text function code
C107	Text reference	C	N	
4441	Free text description code	M an..17	N	Not used
1131	Code list identification code	C an..17	N	Not used
3055	Code list responsible agency code	C an..3	N	Not used
C108	Text literal	C	C	
4440	Free text	M an..512	M an..512	Free text
4440	Free text	C an..512	C an..512	Free text
4440	Free text	C an..512	C an..512	Free text
4440	Free text	C an..512	C an..512	Free text
4440	Free text	C an..512	C an..512	Free text
3453	Language name code	C an..3	N	Not used
4447	Free text format code	C an..3	N	Not used

Remark:

To provide free form or coded text information

Example:

FTX+AAD+++Environmentally hazardous substance, liquid, n.o.s.:BISPHENOL A EPOXY RESIN'

No = Consecutive segment number
 MaxOcc = Maximum occurrence of the segment/group
 Counter = Counter of segment/group within the standard

St = Status
 EDIFACT: M=Mandatory, C=Conditional
 User specific: R=Required, O=Optional, D=Dependent,
 A=Advised, N=Not used



Counter	No	Tag	St	MaxOcc	Level	Name
1530		SG33	C	99	2	DGS-FTX-SG35
1550	51	FTX	C	99	3	FREE TEXT

Standard			Implementation	
Tag	Name	St Format	St Format	Usage / Remark
FTX				
4451	Text subject code qualifier	M an..3	M an..3	HAZ Hazard information Text subject code qualifier
4453	Free text function code	C an..3	C an..3	Free text function code
C107	Text reference	C	N	
4441	Free text description code	M an..17	N	Not used
1131	Code list identification code	C an..17	N	Not used
3055	Code list responsible agency code	C an..3	N	Not used
C108	Text literal	C	C	
4440	Free text	M an..512	M an..512	Free text
4440	Free text	C an..512	C an..512	Free text
4440	Free text	C an..512	N	Not used
4440	Free text	C an..512	N	Not used
4440	Free text	C an..512	N	Not used
3453	Language name code	C an..3	N	Not used
4447	Free text format code	C an..3	N	Not used

Remark:

To provide free form or coded text information

Example:

FTX+HAZ+++BISPHENOL A EPOXY RESIN:BISPHENOL A EPOXY RESIN'

No = Consecutive segment number
 MaxOcc = Maximum occurrence of the segment/group
 Counter = Counter of segment/group within the standard

St = Status
 EDIFACT: M=Mandatory, C=Conditional
 User specific: R=Required, O=Optional, D=Dependent,
 A=Advised, N=Not used



Counter	No	Tag	St	MaxOcc	Level	Name
1530		SG33	C	99	2	DGS-FTX-SG35
1550	52	FTX	C	99	3	FREE TEXT

Standard			Implementation	
Tag	Name	St Format	St Format	Usage / Remark
FTX				
4451	Text subject code qualifier	M an..3	M an..3	ZMP Marine pollutant
4453	Free text function code	C an..3	C an..3	
C107	Text reference	C	N	
4441	Free text description code	M an..17	N	Not used
1131	Code list identification code	C an..17	N	Not used
3055	Code list responsible agency code	C an..3	N	Not used
C108	Text literal	C	C	Free text one to five lines
4440	Free text	M an..512	M an..512	Free text
4440	Free text	C an..512	N	Not used
4440	Free text	C an..512	N	Not used
4440	Free text	C an..512	N	Not used
4440	Free text	C an..512	N	Not used
3453	Language name code	C an..3	N	Not used
4447	Free text format code	C an..3	N	Not used

Remark:
To provide free form or coded text information\046

Example:
FTX+ZMP+++Y'

No = Consecutive segment number
MaxOcc = Maximum occurrence of the segment/group
Counter = Counter of segment/group within the standard

St = Status
EDIFACT: M=Mandatory, C=Conditional
User specific: R=Required, O=Optional, D=Dependent,
A=Advised, N=Not used



Counter	No	Tag	St	MaxOcc	Level	Name
1530		SG33	C	99	2	DGS-FTX-SG35
1550	53	FTX	C	99	3	FREE TEXT

Standard			Implementation	
Tag	Name	St Format	St Format	Usage / Remark
FTX				
4451	Text subject code qualifier	M an..3	M an..3	ZLQ Limited Quantity Text subject code qualifier
4453	Free text function code	C an..3	C an..3	Free text function code
C107	Text reference	C	N	
4441	Free text description code	M an..17	N	Not used
1131	Code list identification code	C an..17	N	Not used
3055	Code list responsible agency code	C an..3	N	Not used
C108	Text literal	C	C	
4440	Free text	M an..512	M an..512	Free text
4440	Free text	C an..512	N	Not used
4440	Free text	C an..512	N	Not used
4440	Free text	C an..512	N	Not used
4440	Free text	C an..512	N	Not used
3453	Language name code	C an..3	N	Not used
4447	Free text format code	C an..3	N	Not used

Remark:
To provide free form or coded text information

Example:
FTX+ZLQ+++Y'

No = Consecutive segment number
MaxOcc = Maximum occurrence of the segment/group
Counter = Counter of segment/group within the standard

St = Status
EDIFACT: M=Mandatory, C=Conditional
User specific: R=Required, O=Optional, D=Dependent,
A=Advised, N=Not used



Counter	No	Tag	St	MaxOcc	Level	Name
1590		SG35	C	9	3	MEA
1600	55	MEA	M	1	3	MEASUREMENTS

Standard			Implementation	
Tag	Name	St Format	St Format	Usage / Remark
MEA				
6311	Measurement purpose code qualifier	M an..3	M an..3	WT Weights Measurement purpose code qualifier
C502	Measurement details	C	C	
6313	Measured attribute code	C an..3	C an..3	AFN Net explosive weight Measured attribute code
6321	Measurement significance code	C an..3	N	Not used
6155	Non-discrete measurement name code	C an..17	N	Not used
6154	Non-discrete measurement name	C an..70	N	Not used
C174	Value/range	C	C	
6411	Measurement unit code	M an..8	M an..8	Measurement unit code
6314	Measure	C an..18	C an..18	Measure
6162	Range minimum quantity	C n..18	N	Not used
6152	Range maximum quantity	C n..18	N	Not used
6432	Significant digits quantity	C n..2	N	Not used
7383	Surface or layer code	C an..3	N	Not used

Remark:

Example:

MEA+WT+AFN+KGM:1'

No = Consecutive segment number
 MaxOcc = Maximum occurrence of the segment/group
 Counter = Counter of segment/group within the standard

St = Status
 EDIFACT: M=Mandatory, C=Conditional
 User specific: R=Required, O=Optional, D=Dependent,
 A=Advised, N=Not used



Counter	No	Tag	St	MaxOcc	Level	Name
1590		SG35	C	9	3	MEA
1600	56	MEA	M	1	3	MEASUREMENTS

Standard			Implementation	
Tag	Name	St Format	St Format	Usage / Remark
MEA				
6311	Measurement purpose code qualifier	M an..3	M an..3	CT Counts Measurement purpose code qualifier
C502	Measurement details	C	C	
6313	Measured attribute code	C an..3	N	Code specifying the attribute measured Measured attribute code Not used
6321	Measurement significance code	C an..3	N	Not used
6155	Non-discrete measurement name code	C an..17	N	Not used
6154	Non-discrete measurement name	C an..70	N	Not used
C174	Value/range	C	C	
6411	Measurement unit code	M an..8	M an..8	BAG Bag (ADR Road) BOB Bundle of Bottles (ADR Road) BOX Box (ADR Road) CP Composite Packaging (ADR Road) DRM Drum (ADR Road) IBC IBC (ADR Road) JCN Jerry Can (ADR Road) LGM Light Gauge Metal Packaging (ADR Road) PD Pressure Drum (ADR Road) SB Steel Bottle (ADR Road) Measurement unit code
6314	Measure	C an..18	C an..18	Measure
6162	Range minimum quantity	C n..18	N	Not used
6152	Range maximum quantity	C n..18	N	Not used
6432	Significant digits quantity	C n..2	N	Not used
7383	Surface or layer code	C an..3	N	Not used

Remark:

Example:

MEA+CT++CLL:1'

No = Consecutive segment number
 MaxOcc = Maximum occurrence of the segment/group
 Counter = Counter of segment/group within the standard

St = Status
 EDIFACT: M=Mandatory, C=Conditional
 User specific: R=Required, O=Optional, D=Dependent,
 A=Advised, N=Not used



Counter	No	Tag	St	MaxOcc	Level	Name
1590		SG35	C	9	3	MEA
1600	57	MEA	M	1	3	MEASUREMENTS

Standard			Implementation	
Tag	Name	St Format	St Format	Usage / Remark
MEA				
6311	Measurement purpose code qualifier	M an..3	M an..3	VOL Volume Measurement purpose code qualifier
C502	Measurement details	C	C	
6313	Measured attribute code	C an..3	N	Code specifying the attribute measured Measured attribute code Not used
6321	Measurement significance code	C an..3	N	Not used
6155	Non-discrete measurement name code	C an..17	N	Not used
6154	Non-discrete measurement name	C an..70	N	Not used
C174	Value/range	C	C	
6411	Measurement unit code	M an..8	M an..8	LTR litre Measurement unit code
6314	Measure	C an..18	C an..18	Measure
6162	Range minimum quantity	C n..18	N	Not used
6152	Range maximum quantity	C n..18	N	Not used
6432	Significant digits quantity	C n..2	N	Not used
7383	Surface or layer code	C an..3	N	Not used

Remark:

Example:

MEA+VOL++LTR:1'

No = Consecutive segment number
 MaxOcc = Maximum occurrence of the segment/group
 Counter = Counter of segment/group within the standard

St = Status
 EDIFACT: M=Mandatory, C=Conditional
 User specific: R=Required, O=Optional, D=Dependent,
 A=Advised, N=Not used



Counter	No	Tag	St	MaxOcc	Level	Name
1590		SG35	C	9	3	MEA
1600	58	MEA	M	1	3	MEASUREMENTS

Standard			Implementation	
Tag	Name	St Format	St Format	Usage / Remark
MEA				
6311	Measurement purpose code qualifier	M an..3	M an..3	WT Weights Measurement purpose code qualifier
C502	Measurement details	C	C	Identification of measurement type
6313	Measured attribute code	C an..3	C an..3	AAB Goods item gross weight Measured attribute code
6321	Measurement significance code	C an..3	N	Not used
6155	Non-discrete measurement name code	C an..17	N	Not used
6154	Non-discrete measurement name	C an..70	N	Not used
C174	Value/range	C	C	
6411	Measurement unit code	M an..8	M an..8	KGM kilogram Measurement unit code
6314	Measure	C an..18	C an..18	Measure
6162	Range minimum quantity	C n..18	N	Not used
6152	Range maximum quantity	C n..18	N	Not used
6432	Significant digits quantity	C n..2	N	Not used
7383	Surface or layer code	C an..3	N	Not used

Remark:

Example:

MEA+WT+AAB+KGM: 1 '

No = Consecutive segment number
 MaxOcc = Maximum occurrence of the segment/group
 Counter = Counter of segment/group within the standard

St = Status
 EDIFACT: M=Mandatory, C=Conditional
 User specific: R=Required, O=Optional, D=Dependent,
 A=Advised, N=Not used



Counter	No	Tag	St	MaxOcc	Level	Name
1670		SG38	C	1	1	EQD-EQN
1680	59	EQD	M	1	1	Equipment details

Standard			Implementation	
Tag	Name	St Format	St Format	Usage / Remark
EQD				
8053	Equipment type code qualifier	M an..3	M an..3	EFP Exchangeable EUR flat pallet
C237	Equipment identification	C	N	
8260	Equipment identifier	C an..17	N	Not used
1131	Code list identification code	C an..17	N	Not used
3055	Code list responsible agency code	C an..3	N	Not used
3207	Country identifier	C an..3	N	Not used
C224	Equipment size and type	C	N	
8155	Equipment size and type description code	C an..10	N	Not used
1131	Code list identification code	C an..17	N	Not used
3055	Code list responsible agency code	C an..3	N	Not used
8154	Equipment size and type description	C an..35	N	Not used
8077	Equipment supplier code	C an..3	N	Not used
8249	Equipment status code	C an..3	N	Not used
8169	Full or empty indicator code	C an..3	N	Not used
4233	Marking instructions code	C an..3	N	Not used

Remark:
Only used when exchange pallet service is used (only domestic shipments)

Example:
EQD+EFP'

No = Consecutive segment number
MaxOcc = Maximum occurrence of the segment/group
Counter = Counter of segment/group within the standard

St = Status
EDIFACT: M=Mandatory, C=Conditional
User specific: R=Required, O=Optional, D=Dependent,
A=Advised, N=Not used



Counter	No	Tag	St	MaxOcc	Level	Name
1670		SG38	C	1	1	EQD-EQN
1690	60	EQN	R	1	2	Number of units

Standard			Implementation	
Tag	Name	St Format	St Format	Usage / Remark
EQN				
C523	Number of unit details	M	M	
6350	Units quantity	C n..15	R n..15	Amount of exchangeable pallets
6353	Unit type code qualifier	C an..3	N	Not used

Remark:
Only used when exchange pallet service is used (only domestic shipments)

Example:
EQN+1'

No = Consecutive segment number
MaxOcc = Maximum occurrence of the segment/group
Counter = Counter of segment/group within the standard

St = Status
EDIFACT: M=Mandatory, C=Conditional
User specific: R=Required, O=Optional, D=Dependent,
A=Advised, N=Not used



Counter	No	Tag	St	MaxOcc	Level	Name
2020	61	UNT	M	1	0	Message trailer

Standard			Implementation	
Tag	Name	St Format	St Format	Usage / Remark
UNT				
0074	Number of segments in the message	M n..6	M n..6	Segment counter of interchange
0062	Message reference number	M an..14	M an..14	Reference of message

Remark:

Example:

UNT+37+MSG1'

No = Consecutive segment number
 MaxOcc = Maximum occurrence of the segment/group
 Counter = Counter of segment/group within the standard

St = Status
 EDIFACT: M=Mandatory, C=Conditional
 User specific: R=Required, O=Optional, D=Dependent,
 A=Advised, N=Not used



Counter	No	Tag	St	MaxOcc	Level	Name
---------	----	-----	----	--------	-------	------

0000	62	UNZ	M	1	0	Interchange trailer
------	----	------------	---	---	---	---------------------

Standard			Implementation	
Tag	Name	St Format	St Format	Usage / Remark
UNZ				
0036	Interchange control count	M n..6	M n..6	Counter of interchanges
0020	Interchange control reference	M an..14	M an..14	Interchange control reference

Remark:
Interchange control reference must be the same as UNB/0020

Example:
UNZ+1+123456'

No = Consecutive segment number
 MaxOcc = Maximum occurrence of the segment/group
 Counter = Counter of segment/group within the standard

St = Status
 EDIFACT: M=Mandatory, C=Conditional
 User specific: R=Required, O=Optional, D=Dependent,
 A=Advised, N=Not used